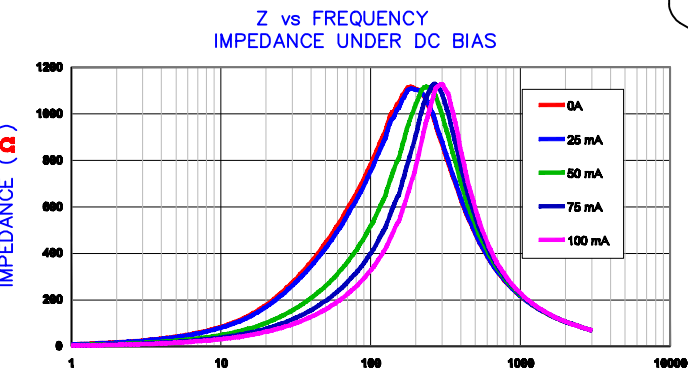
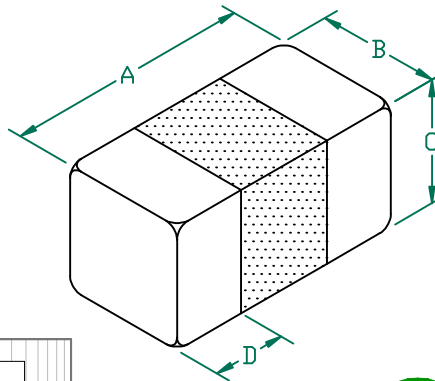


# HZ0402B102R-10

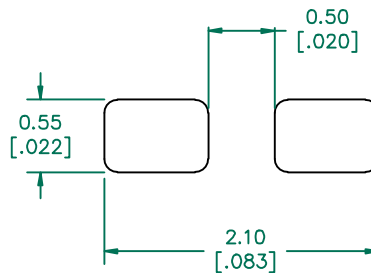
**UNCONTROLLED DOCUMENT**

PHYSICAL DIMENSIONS:

A	1.01 [.040]	±	0.18 [.007]
B	0.50 [.020]	±	0.20 [.008]
C	0.50 [.020]	±	0.20 [.008]
D	0.30 [.012]		MAX.



LAND PATTERNS FOR REFLOW SOLDERING



(For wave soldering, add 0.763 (.030 to this dimension.)

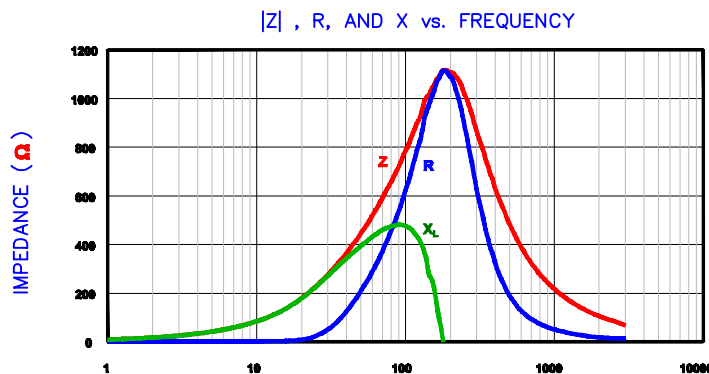
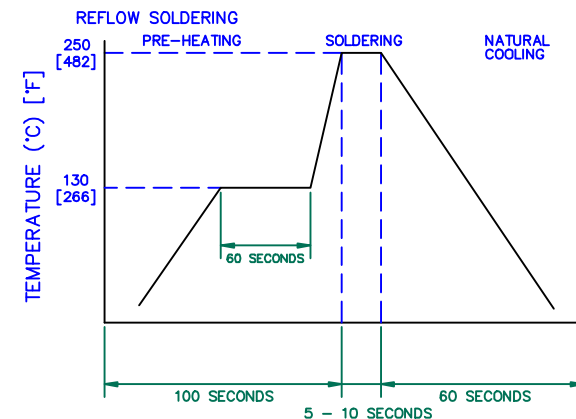
ELECTRICAL CHARACTERISTICS:

Z @ 100MHz (Ω)	DCR (Ω)	RATED CURRENT
Nominal	1000	
Minimum	750	
Maximum	1250	1.00 200mA

NOTES: UNLESS OTHERWISE SPECIFIED

1. TAPED AND REELED PER CURRENT EIA SPECIFICATIONS, 7" REELS, 10K PIECES PER REEL, PAPER CARRIER TAPE.
2. TERMINATION FINISH IS 100% TIN.
3. COMPONENTS SHOULD BE ADEQUATELY PREHEATED BEFORE SOLDERING.

RECOMMENDED SOLDERING CONDITIONS



DIMENSIONS ARE IN mm [INCHES].				This print is the property of Laird Tech. and is loaned in confidence subject to return upon request and with the understanding that no copies shall be made without the written consent of Laird Tech. All rights to design or invention are reserved.			
PROJECT/PART NUMBER:				REV	PART TYPE:	DRAWN BY:	
HZ0402B102R-10				B	CO-FIRE	JRK	
B	UPDATE COMPANY LOGO	02/15/08	JRK	DATE:	03/21/06	SCALE:	NTS
A	ORIGINAL DRAFT	03/21/06	JRK	CAD #	HZ0402B102R-10-B	TOOL #	-
REV	DESCRIPTION	DATE	INT	SHEET: 2 of 2			