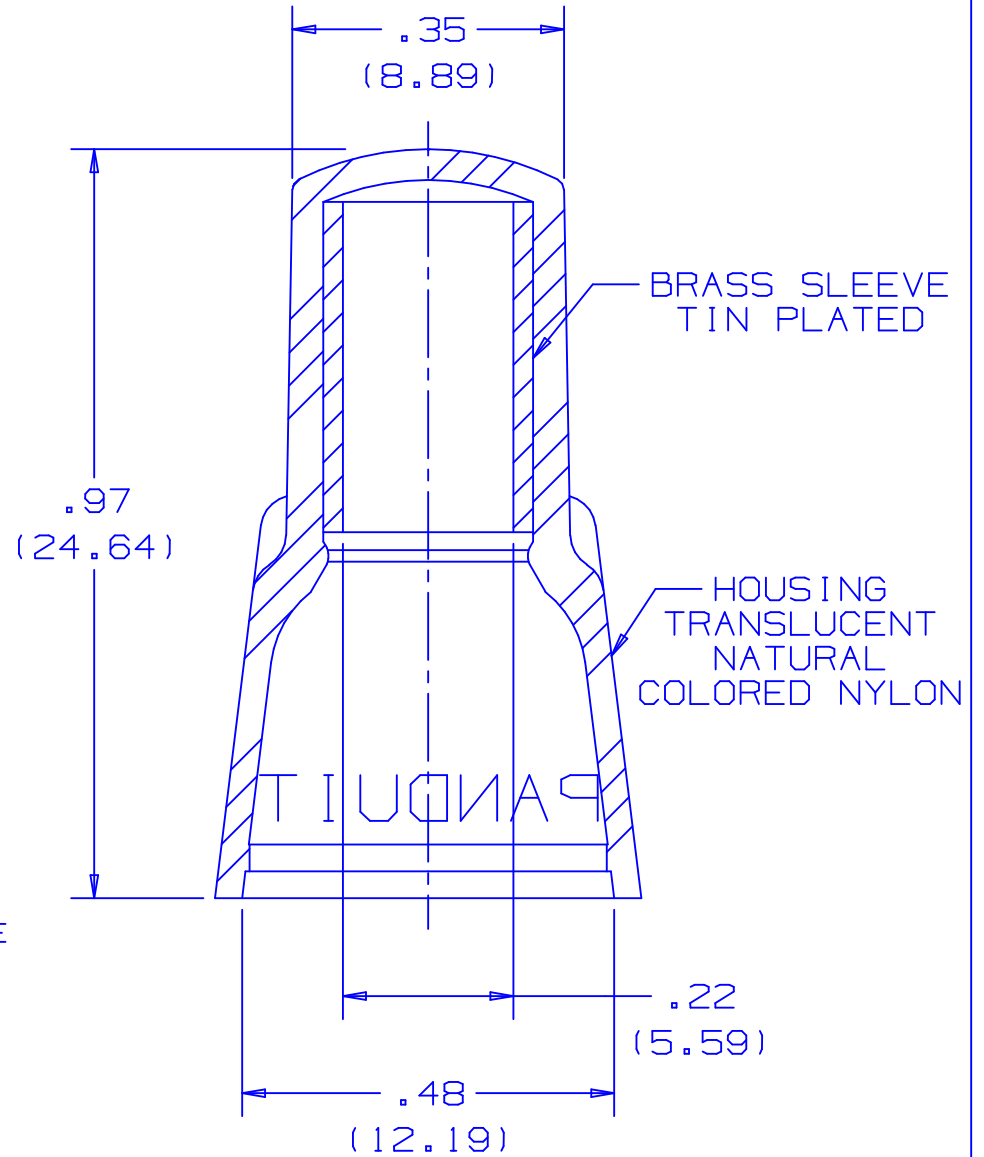


THIS COPY IS PROVIDED ON A RESTRICTED BASIS AND IS NOT TO BE USED IN ANY WAY DETRIMENTAL TO THE INTERESTS OF PANDUIT CORP.

WIRE COMBINATION CHART

WIRE SIZE	NO. OF WIRES	NUMBER OF ADDITIONAL WIRES OF ONE SIZE			
		#16	#14	#12	#10
#16	1	3-6	2-4	2-3	1 OR 2
	2	2-5	1-3	1 OR 2	1 OR 2
	3	1-4	1 OR 2	1 OR 2	1
	4	1-3	1	1	1
	5	1 OR 2	1	1	1
	6	1	0	0	0
#14	1	2-5	2-5	2-3	1 OR 2
	2	1-3	1-4	1 OR 2	1
	3	1 OR 2	1-3	1 OR 2	0
	4	1 OR 2	1 OR 2	1	0
	5	1	1	0	0
#12	1	2-5	2-4	1-3	1
	2	1-3	1-3	1 OR 2	1
	3	1	1	1	0
#10	1	1-5	1 OR 2	1 OR 2	1
	2	1 OR 2	1	0	0



NOTES :

- PERFORMANCE RATED FOR :
 - A. 600 V MAX. VOLTAGE RATING
 - B. 221°F (105°C) MAX. TEMP. RATING
 - C. #16 AWG-#10 AWG, SOLID OR STRANDED COPPER WIRE
- MATERIAL:
 - A. SLEEVE - BRASS, TIN PLATED
 - B. HOUSING - NATURAL NYLON
- DIMENSIONS IN BRACKETS ARE IN MILLIMETERS
- INSTALLATION TOOLS: CT-100, CT-160, CT-260
- WIRE STRIP LENGTH: 5/8 ^{+1/32}₀ (15.9 ^{+0.8}₀)

A41003_04

04	3/05	JHNU		REMOVED INSTALLATION TOOL CT-250 FROM NOTE 4.				<p>TINLEY PARK, ILLINOIS</p> <p>NYLON INSULATED WIRE JOINT JN314-412</p>
03	11/97	TM	RLS	UPDATED INSTALLATION TOOLS	06401	LA	DH	
02	11/94	TH	RS	UPDATED NOTES AND DIMENSIONS	02659	LA	DH	
1	3/88	GM	LM	REDRAWN ON CAD		LA	JRB	
REV	DATE	BY	CHK	DESCRIPTION	ECN #	CUST	PM	DRAWN BY GRM CHK'D SCALE NONE DRAWING NO. A41003