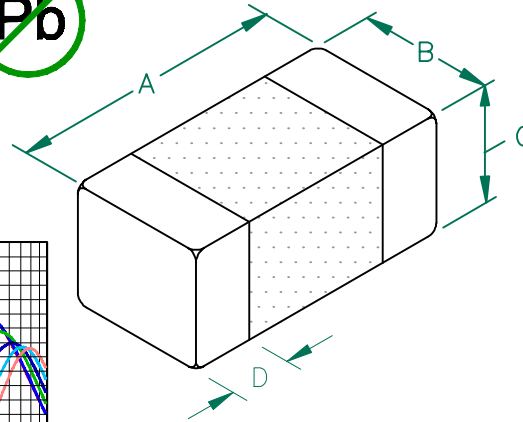


LI0603E151R-10

UNCONTROLLED DOCUMENT

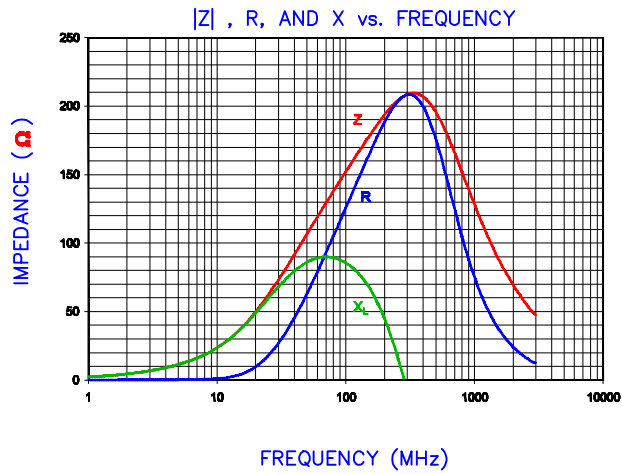
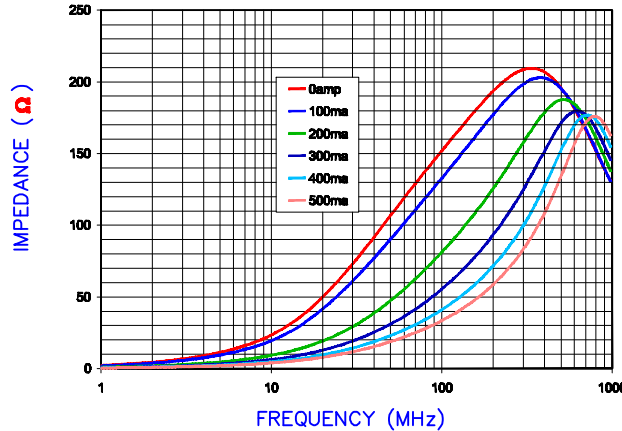
PHYSICAL DIMENSIONS:

A	1.60 [.063]	+ 0.15	-.006	[.006]
B	0.80 [.031]	+ 0.15	-.006	[.006]
C	0.80 [.031]	+ 0.15	-.006	[.006]
D	0.36 [.014]	+ 0.15	-.006	[.006]

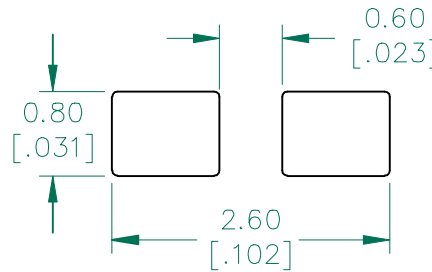


ELECTRICAL CHARACTERISTICS:		
Z @ 100MHz (Ω)	DCR (Ω)	Rated Current
Nominal	150	
Minimum	113	
Maximum	188	500 mA

Z vs FREQUENCY
IMPEDANCE UNDER DC BIAS

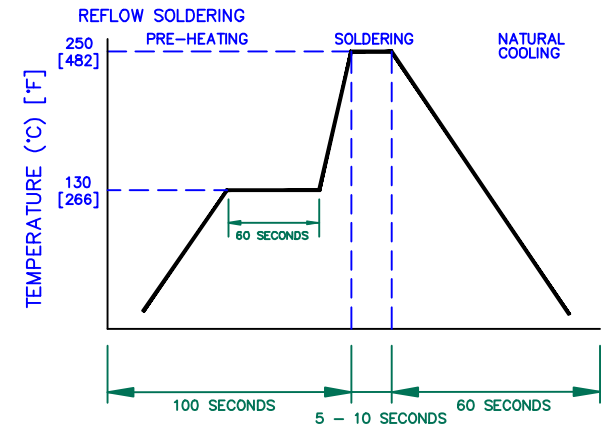


LAND PATTERNS FOR REFLOW SOLDERING



(For wave soldering, add 0.762 [.030] to this dimension)

RECOMMENDED SOLDERING CONDITIONS



DIMENSIONS ARE IN mm [INCHES]				This print is the property of Laird Tech. and is loaned in confidence subject to return upon request and with the understanding that no copies shall be made without the written consent of Laird Tech. All rights to design or invention are reserved.			
				Laird TECHNOLOGIES			
PROJECT/PART NUMBER:				REV	PART TYPE:	DRAWN BY:	
LI0603E151R-10				B	CO-FIRE	JRK	
B	UPDATE COMPANY LOGO ADD ROHS SYM	07/14/08	JRK	DATE:	04/19/04	SCALE:	-
A	ORIGINAL DRAFT	04/19/04	JRK	GAD #		SHEET:	2 of 2
REV	DESCRIPTION	DATE	INT	LI0603E151R-10-B			