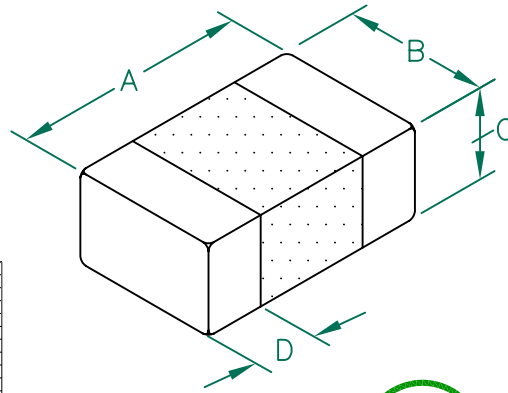


LI0805G201R-10

UNCONTROLLED DOCUMENT

PHYSICAL DIMENSIONS:

A	2.00 [.079]	+ 0.20 [.008]
B	1.25 [.049]	+ 0.20 [.008]
C	0.90 [.035]	+ 0.20 [.008]
D	0.51 [.020]	+ 0.25 [.010]

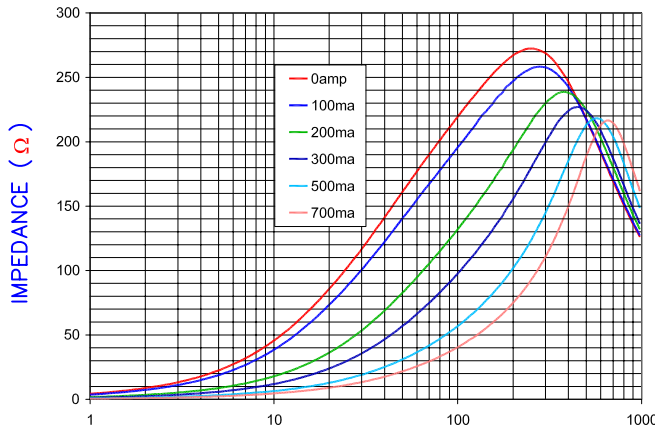


ELECTRICAL CHARACTERISTICS:

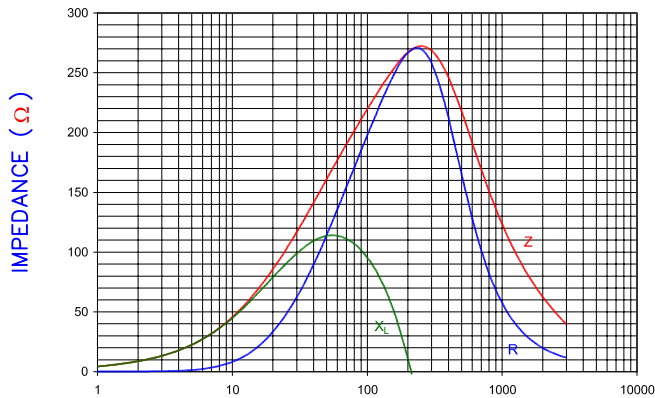
ELECTRICAL CHARACTERISTICS:		
Z @ 100MHz (Ω)	DCR (Ω)	Rated Current
Nominal	200	
Minimum	150	
Maximum	250	700 mA

- NOTES: UNLESS OTHERWISE SPECIFIED
1. TAPED AND REELED per CURRENT EIA SPECIFICATIONS 7" REELS, 4000 PCS/REEL, PAPER TAPE.
 2. COMPONENTS SHOULD BE ADEQUATELY PREHEATED BEFORE SOLDERING.
 3. TERMINATION FINISH IS 100% TIN.

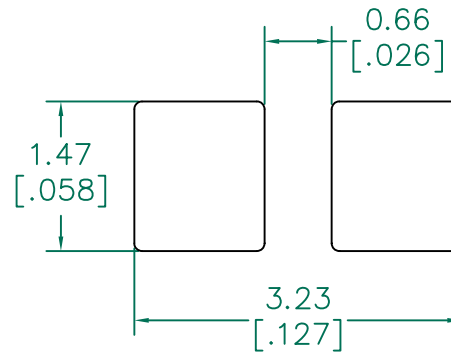
Z vs FREQUENCY
IMPEDANCE UNDER DC BIAS



FREQUENCY (MHz)
|Z|, R, AND X vs. FREQUENCY

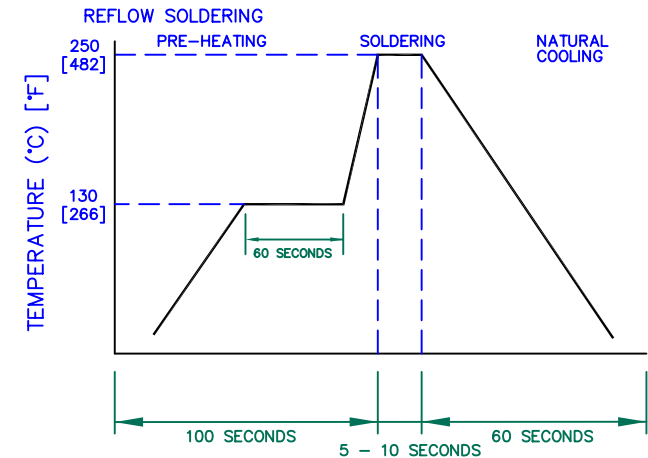


LAND PATTERNS FOR REFLOW SOLDERING



(For wave soldering, add 0.763 [.030] to this dimension.)

RECOMMENDED SOLDERING CONDITIONS



DIMENSIONS ARE IN mm [INCHES].				This print is the property of Laird Tech. and is loaned in confidence subject to return upon request and with the understanding that no copies shall be made without the written consent of Laird Tech. All rights to design or invention are reserved.			Laird TECHNOLOGIES®		
E	CHANGE TO PAPER TAPE	03/03/10	JUN	PROJECT/PART NUMBER:			REV	PART TYPE:	DRAWN BY:
D	UPDATE COMPANY LOGO	06/16/09	JRK	LI0805G201R-10			E	CO-FIRE	JRK
C	ADD ROHS SYMBOL MODIFY NOTE 1	11/28/06	JRK	DATE: 04/19/04			SCALE:	NTS	SHEET:
B	CORRECT TEST REF #	01/03/06	JRK	CAD # LI0805G201R-10-E			TOOL #	-	2 of 2
A	ORIGINAL DRAFT	04/19/04	JRK						
REV	DESCRIPTION	DATE	INT						