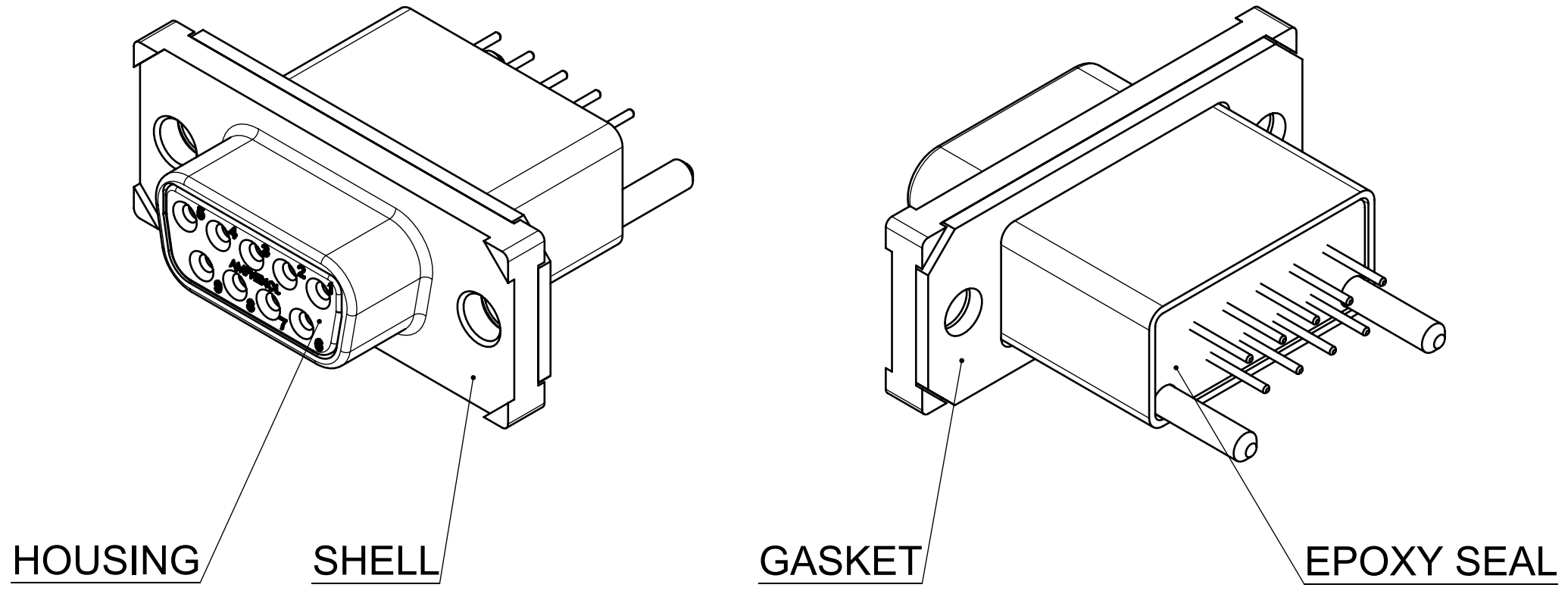
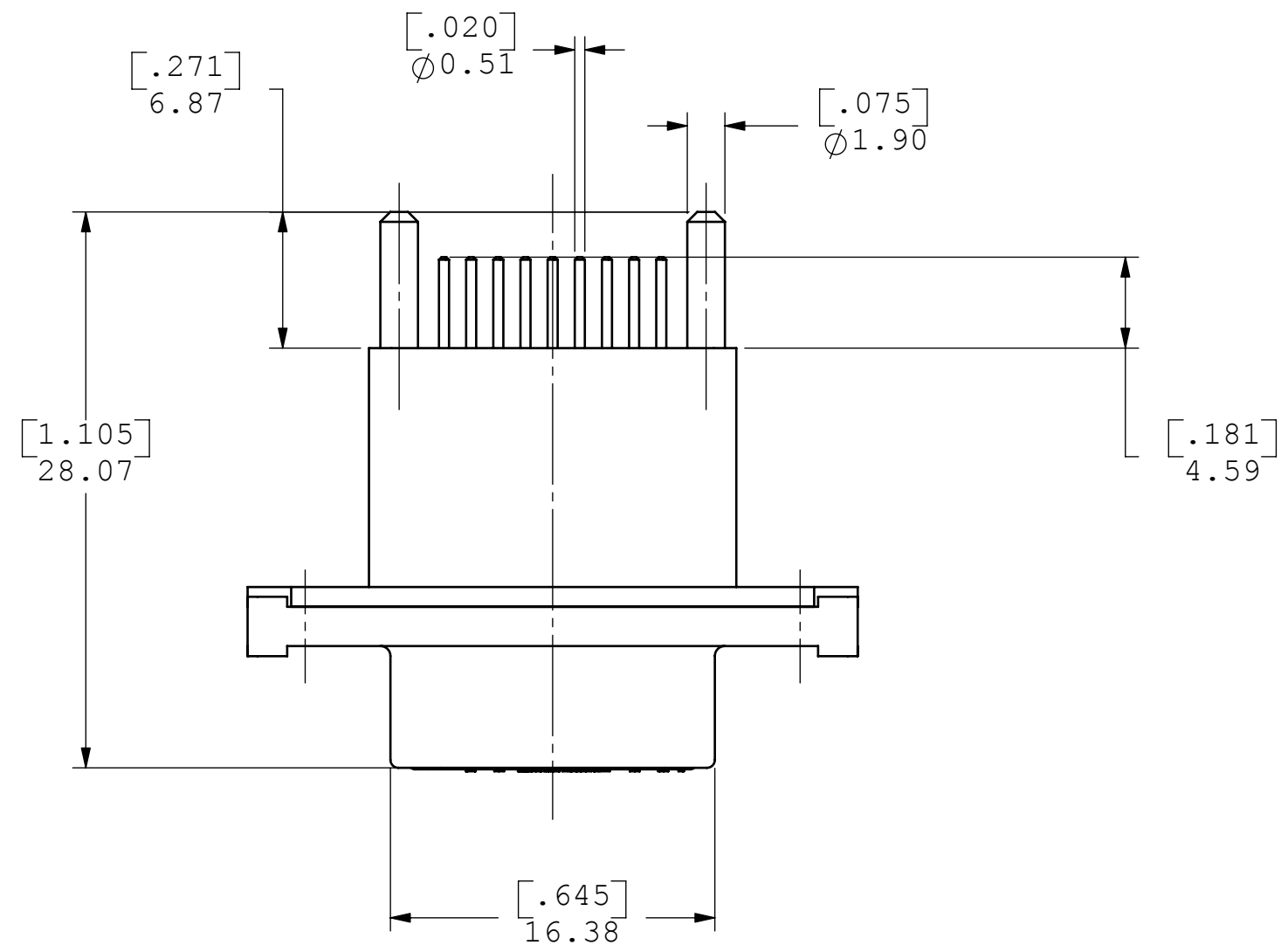
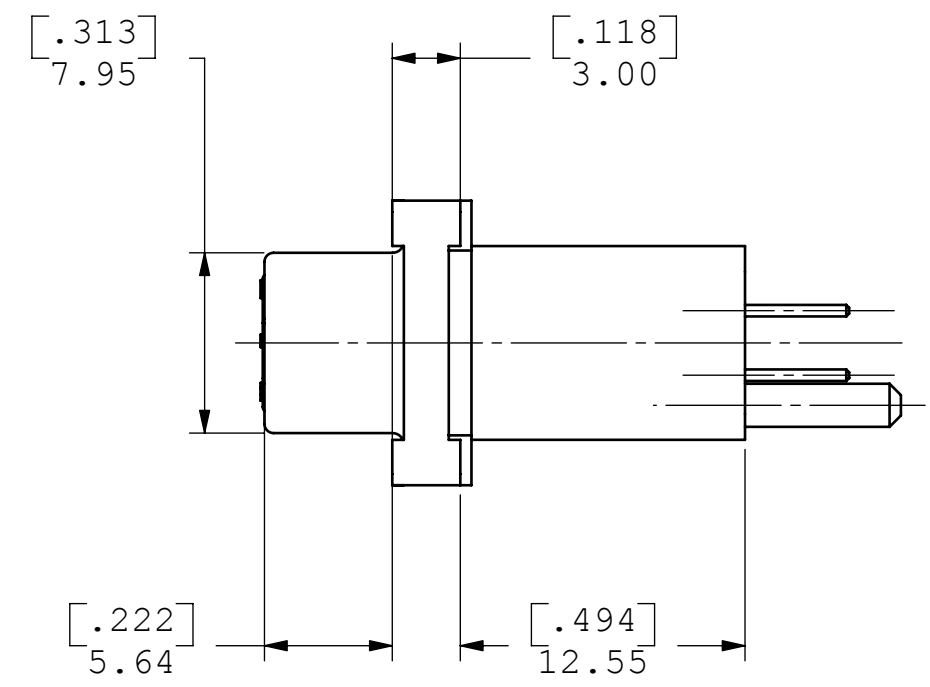
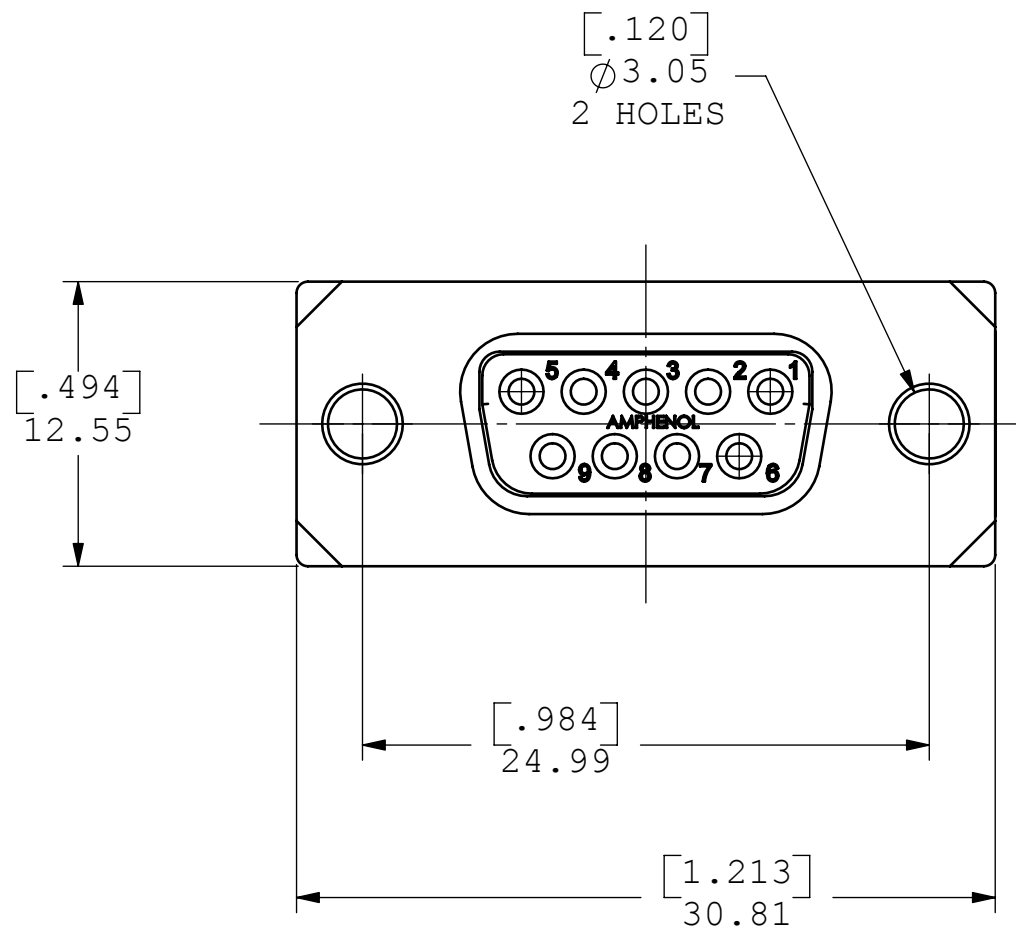


REV	DESCRPT	DATE	APPRVD



MDB-E09SA-765 IS SHOWN



NOTES:

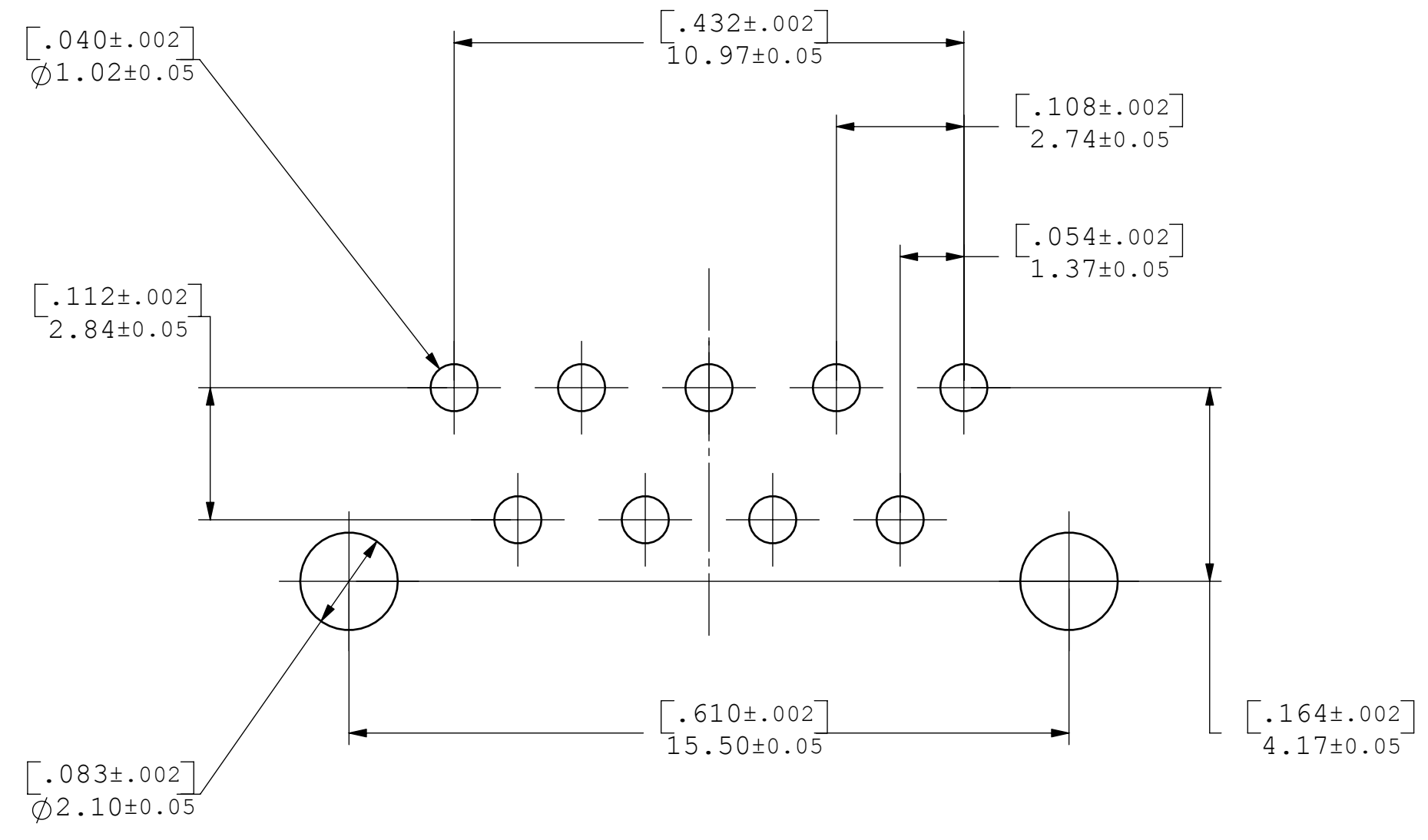
- MATERIAL:**
 - SHELL: ZINC ALLOY WITH 50 MICRO INCH MINIMUM NICKEL PLATING,
 - CONTACTS: COPPER ALLOY 50 MICRO INCH GOLD OVER 50 MICRO INCH NICKEL PLATING,
 - HOUSING: THERMOPLASTIC POLYESTER RESIN,
 - GASKET: SILICONE RUBBER,
 - SCREWS: STAINLESS STEEL,
 - DUST COVER: SILICONE RUBBER.
- FEATURES:** SEALED CONNECTOR IN THE MATED AND UNMATED CONDITIONS.
- OPERATING TEMPERATURE:** -40°C TO +105°C.
- ENVIRONMENT PERFORMANCE:** IP67.
- CONNECTOR IS ROHS COMPLIANT PER EU DIRECTIVE 2002/95/EC AND AMENDMENTS.**
- PART IS UL94V-0 FLAMMABILITY COMPLIANT.**
- PART NUMBER FOR ORDER:**
 - MDB-E09SA-760 - WITH DUST COVER AND SCREWS,
 - MDB-E09SA-765 - NO DUST COVER AND SCREWS.



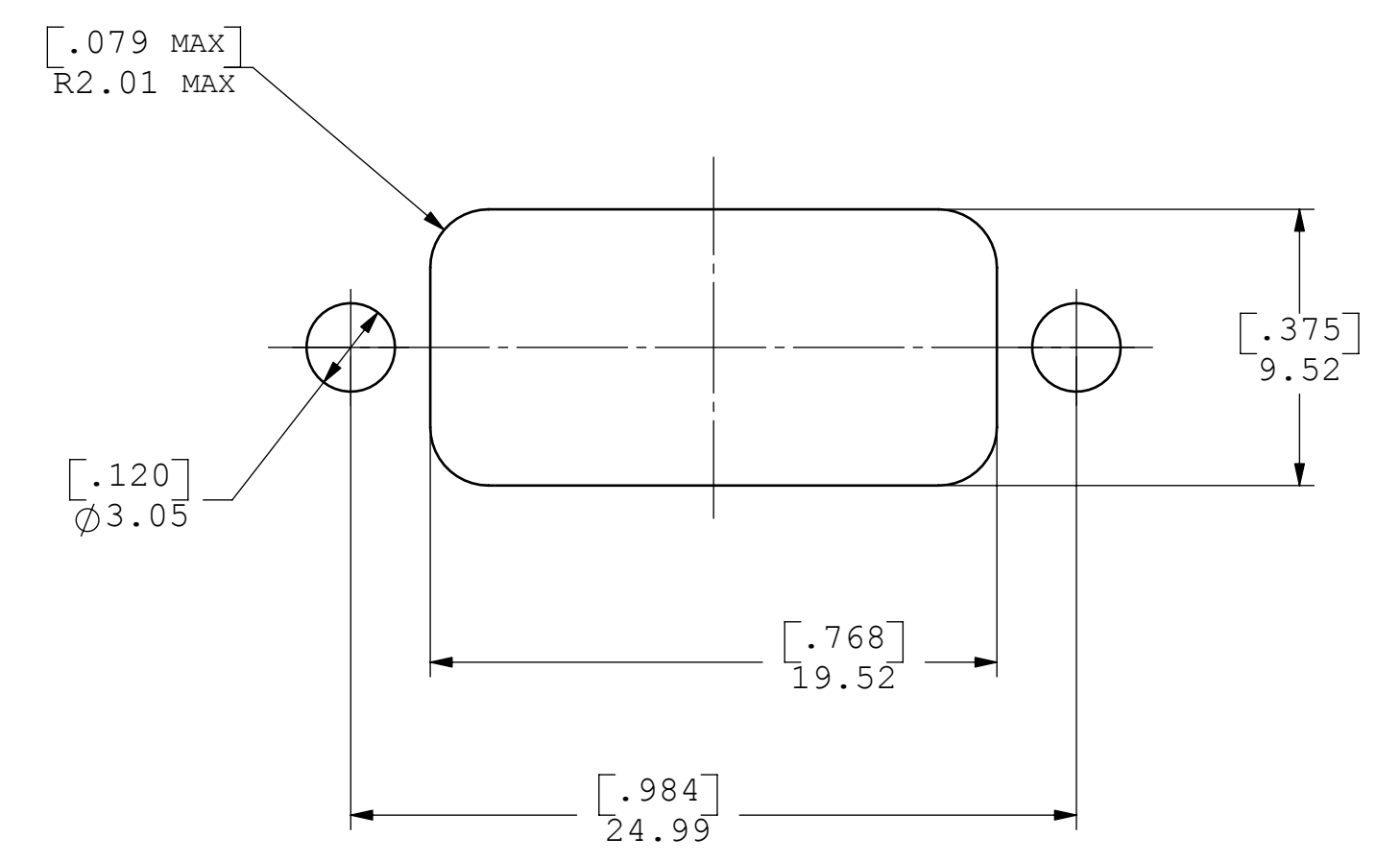
UNLESS OTHERWISE SPECIFIED DIMENSIONS ARE IN MILLIMETER TOLERANCES ARE:		APPROVALS	DATE	Amphenol Canada Corp.	
DECIMALS	ANGLES	DRAWN S.SEMENOV	OCT02/06		
.XX ± .10	± 1°	DESIGNED S.SEMENOV	OCT02/06	TITLE RUGGED 9 SOKET, D-SUB CONNECTOR, VERTICAL MOUNT	
.X ± .25		CHECKED			
MATERIAL AND FINISH		QA APP'D		SIZE C	DWG. NO. P-MDB-E09SA-76X
REF.		IE APP'D		SCALE 3:1	PROJECT MDB
CODE IDENT. NO.		DWG APP'D A.GREEN	OCT02/06	SHEET 1 OF 2	REV. 2B

DO NOT SCALE DRAWING
THIS DOCUMENT CONTAINS PROPRIETARY INFORMATION AND SUCH INFORMATION MAY NOT BE DISCLOSED TO OTHERS FOR ANY PURPOSE OR USED FOR MANUFACTURING PURPOSES WITHOUT PERMISSION FROM AMPHENOL CANADA CORP.

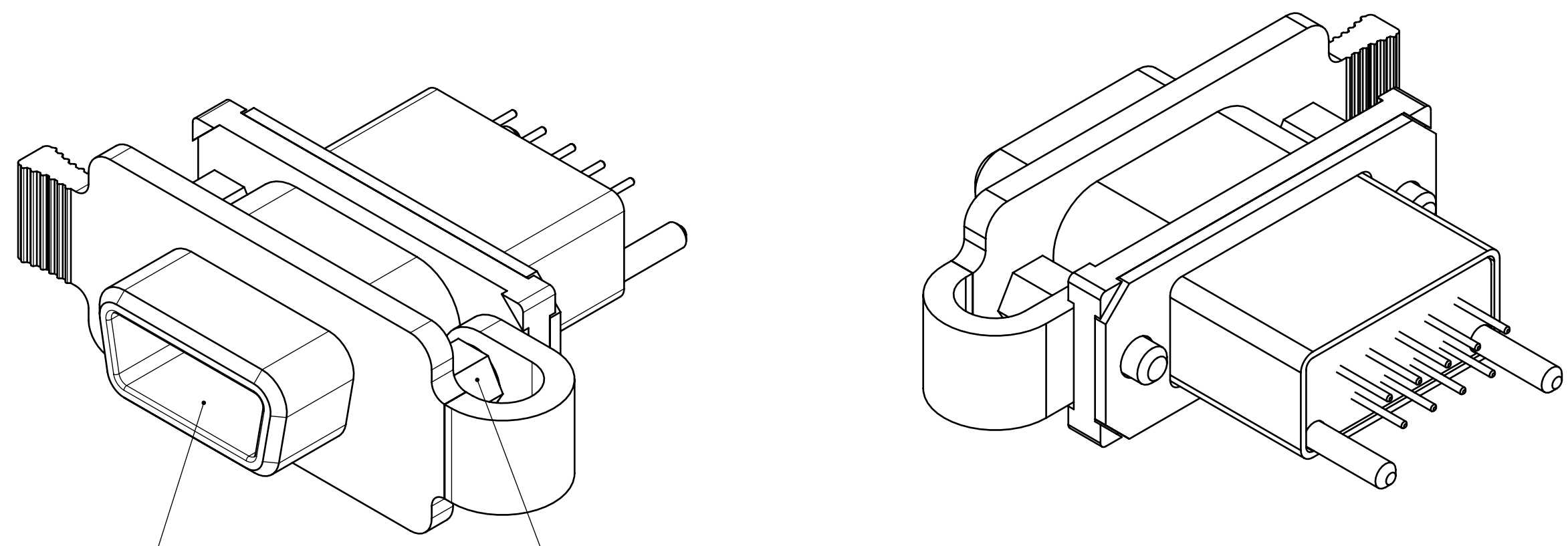
REV	DESCRIP	DATE	APPRVD



RECOMMENDED P.C.B. LAYOUT



RECOMMENDED PANEL CUTOUT DIMENSIONS FOR REFERENCE ONLY

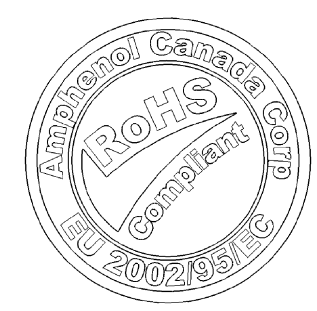


DUST COVER

SCREW

MDB-E09SA-760 IS SHOWN

FOR MORE INFORMATION ABOUT DUST COVER SEE DRAWING MDB-E09SA-007



UNLESS OTHERWISE SPECIFIED DIMENSIONS ARE IN MILLIMETER TOLERANCES ARE:		APPROVALS	DATE	Amphenol Canada Corp.	
DECIMALS	ANGLES	DRAWN	OCT02/06		
.XX ± .10	± 1°	S.SEMENOV		TITLE RUGGED 9 SOKET, D-SUB CONNECTOR, VERTICAL MOUNT	
.X ± .25		DESIGNED	OCT02/06		
MATERIAL AND FINISH		S.SEMENOV			
		CHECKED			
REF.		QA APP'D		SIZE	DWG. NO.
		IE APP'D		C	P-MDB-E09SA-76X
CODE IDENT. NO.		DWG APP'D	OCT02/06	SCALE	PROJECT
		A.GREEN		3:1	MDB
					SHEET
					2 OF 2

DO NOT SCALE DRAWING
THIS DOCUMENT CONTAINS PROPRIETARY INFORMATION AND SUCH INFORMATION MAY NOT BE DISCLOSED TO OTHERS FOR ANY PURPOSE OR USED FOR MANUFACTURING PURPOSES WITHOUT PERMISSION FROM AMPHENOL CANADA CORP.