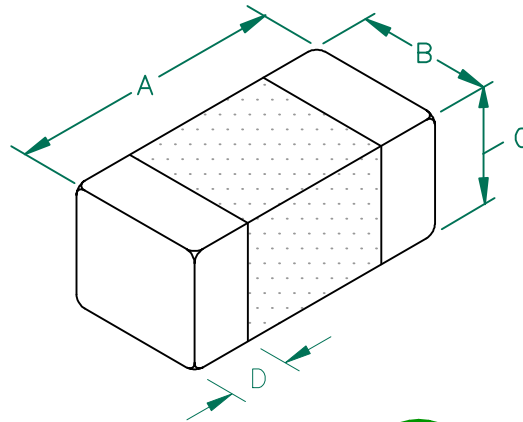


MI0603J600R-10

UNCONTROLLED DOCUMENT

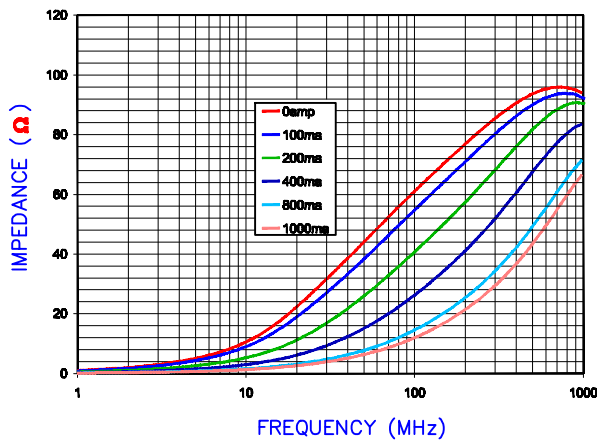
PHYSICAL DIMENSIONS:

A	1.60 [.063]	+ 0.15	-.006	[.006]
B	0.80 [.031]	+ 0.15	-.006	[.006]
C	0.80 [.031]	+ 0.15	-.006	[.006]
D	0.36 [.014]	+ 0.15	-.006	[.006]

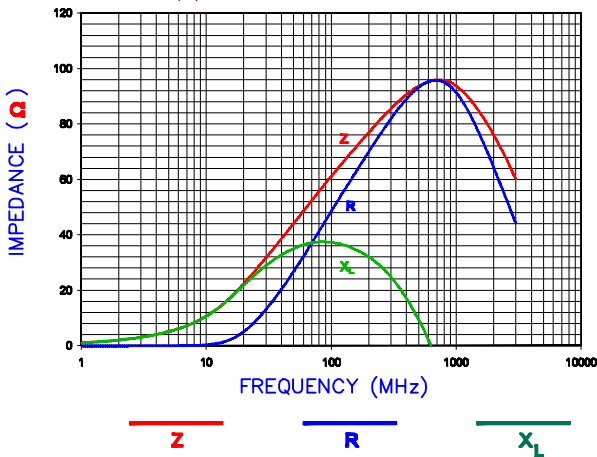


ELECTRICAL CHARACTERISTICS:			
Z @ 100MHz (Ω)	DCR (Ω)	Rated Current	
Nominal	60		
Minimum	45		
Maximum	75	0.100	1000 mA

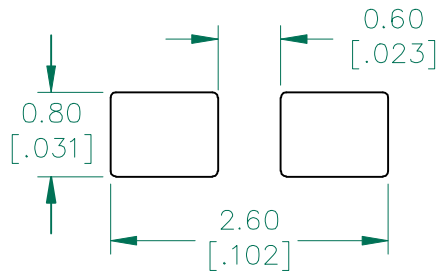
Z vs FREQUENCY
IMPEDANCE UNDER DC BIAS



|Z|, R, AND X vs. FREQUENCY

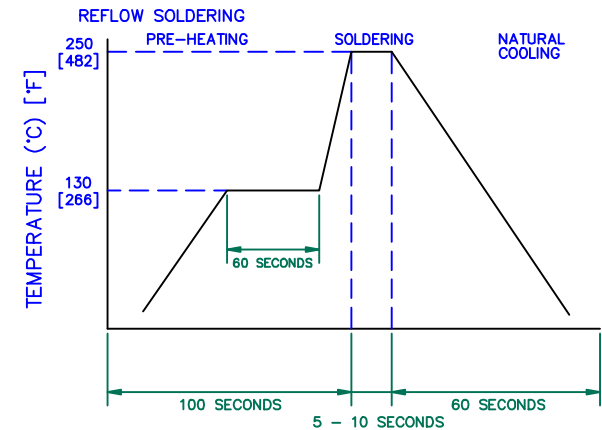


OBSOLETE
LAND PATTERNS FOR REFLOW SOLDERING



(For wave soldering, add 0.762 [.030] to this dimension)

RECOMMENDED SOLDERING CONDITIONS



DIMENSIONS ARE IN mm [INCHES].				THIS DOCUMENT CONTAINS INFORMATION WHICH IS PROPRIETARY AND CONFIDENTIAL TO STEWARD. NO PRODUCTION OR PUBLICATION OF THIS DOCUMENT IN WHOLE OR IN PART SHALL BE MADE WITHOUT WRITTEN AUTHORIZATION FROM STEWARD.			
				Steward			
PROJECT/PART NUMBER:				REV	PART TYPE:	DRAWN BY:	
MI0603J600R-10				C	CO-FIRE	TMB	
C	CORRECT REEL SIZE AND QTY	04/11/06	JRK	DATE:	04/05/04	SCALE:	-
B	CORRECT REF # FROM 3289 TO 3298	07/22/05	JRK	GAD #	MI0603J600R-10-C	TOOL #	-
A	ORIGINAL DRAFT	04/05/04	TMB	SHEET: 2 of 2			
REV	DESCRIPTION	DATE	INT				