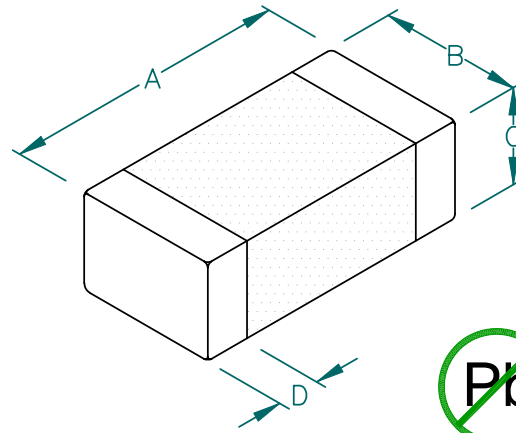


MI1206K310R-10

UNCONTROLLED DOCUMENT

PHYSICAL DIMENSIONS:

A	3.20 [.126]	+ 0.20 [.008]
B	1.60 [.063]	+ 0.20 [.008]
C	1.10 [.043]	+ 0.20 [.008]
D	0.51 [.020]	+ 0.25 [.010]

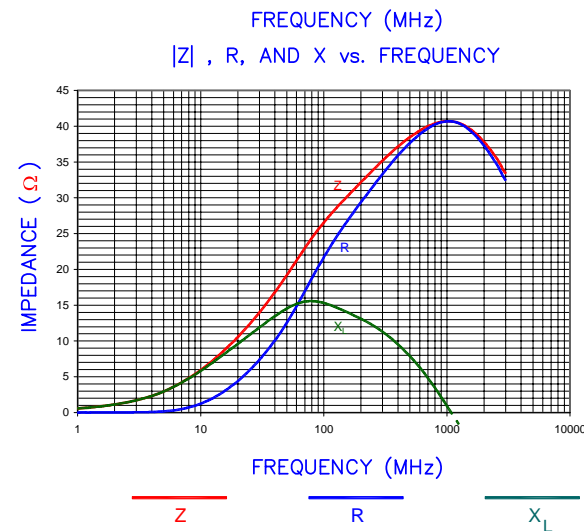
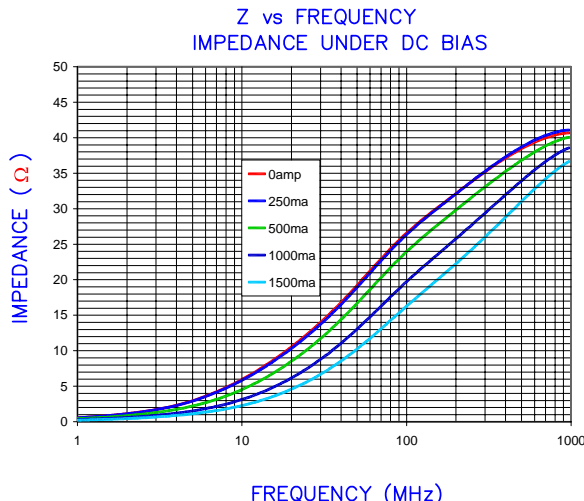


ELECTRICAL CHARACTERISTICS:

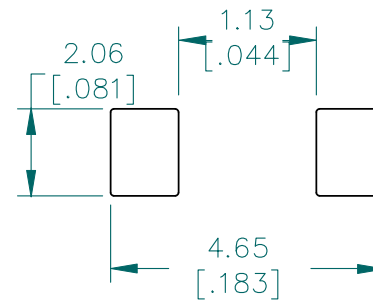
Z @ 100MHz (Ω)	DCR (Ω)	Rated Current
Nominal	31	
Minimum	23	
Maximum	39	1500 mA

NOTES: UNLESS OTHERWISE SPECIFIED

1. TAPED AND REELED per CURRENT EIA SPECIFICATIONS 7" REELS, 3000 PCS/REEL.
2. COMPONENTS SHOULD BE ADEQUATELY PREHEATED BEFORE SOLDERING.
3. TERMINATION FINISH IS 100% TIN.

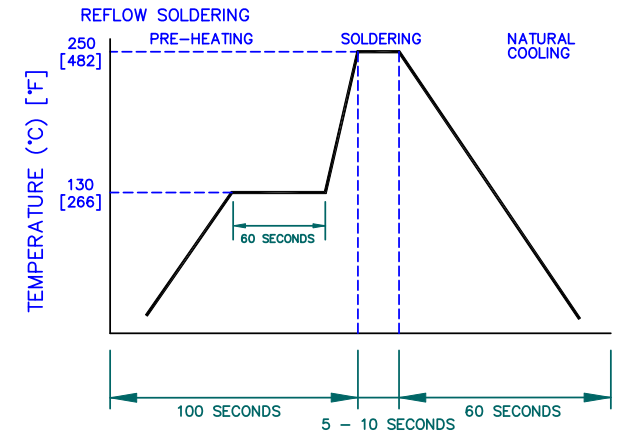


LAND PATTERNS FOR REFLOW SOLDERING



(For wave soldering, add 0.762 (.030) to this dimension)

RECOMMENDED SOLDERING CONDITIONS



DIMENSIONS ARE IN mm [INCHES].				THIS DOCUMENT CONTAINS INFORMATION WHICH IS PROPRIETARY AND CONFIDENTIAL TO STEWARD. NO PRODUCTION OR PUBLICATION OF THIS DOCUMENT IN WHOLE OR IN PART SHALL BE MADE WITHOUT WRITTEN AUTHORIZATION FROM STEWARD.			
Steward							
PROJECT/PART NUMBER:		REV	PART TYPE:	DRAWN BY:			
MI1206K310R-10		A	CO-FIRE	JRK			
DATE:		SCALE:	SHEET:				
04/13/04		NTS	2 of 2				
REV	DESCRIPTION	DATE	INT				
A	ORIGINAL DRAFT	04/13/04	JRK				
M1206K310R-10-A							