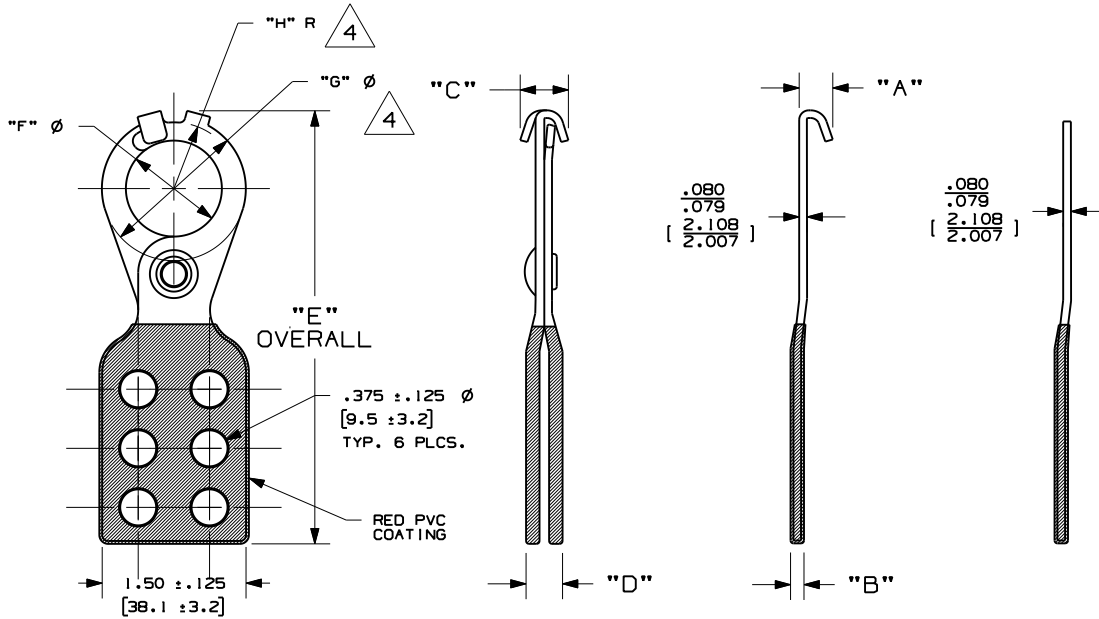


THIS COPY IS PROVIDED ON A RESTRICTED BASIS AND IS NOT TO BE USED IN ANY WAY DETRIMENTAL TO THE INTERESTS OF PANDUIT CORP.

P/N	"A"	"B"	"C"	"D"	"E" OVERALL	"F"	"G" DIA.	"H" R.
PSL-1	.370 +/- .030 [ 9.4 +/- 0.8 ]	.140 +/- .030 [ 3.6 +/- 0.8 ]	.550 +/- .063 [ 14.0 +/- 1.6 ]	.375 +/- .063 [ 9.5 +/- 1.6 ]	4.50 +/- .12 [ 114.3 +/- 3.1 ]	1.00 +/- .12 [ 25.4 +/- 3.1 ]	1.50 +/- .04 [ 38.1 +/- 1.0 ]	0.69 +/- .04 [ 17.5 +/- 1.0 ]
PSL-1.5	.330 +/- .030 [ 8.4 +/- 0.8 ]		.490 +/- .063 [ 12.4 +/- 1.6 ]		5.05 +/- .12 [ 128.3 +/- 3.1 ]	1.50 +/- .12 [ 38.1 +/- 3.1 ]	2.12 +/- .04 [ 53.8 +/- 1.0 ]	1.03 +/- .04 [ 26.2 +/- 1.0 ]
PSL-1A	N/A		N/A		4.40 +/- .12 [ 111.8 +/- 3.1 ]	1.00 +/- .12 [ 25.4 +/- 3.1 ]	1.50 +/- .04 [ 38.1 +/- 1.0 ]	0.69 +/- .04 [ 17.5 +/- 1.0 ]
PSL-1.5 A	N/A		N/A		4.95 +/- .12 [ 125.7 +/- 3.1 ]	1.50 +/- .12 [ 38.1 +/- 3.1 ]	2.12 +/- .04 [ 53.8 +/- 1.0 ]	1.03 +/- .04 [ 26.2 +/- 1.0 ]

NOTES:  
 1. DIMENSIONS SHOWN IN BRACKETS ARE IN MILLIMETERS.  
 2. VIEW 1. (OVERLAPPING TABS) AND VIEW 2. (NON-OVERLAPPING TABS) SHOW ONLY ONE HALF OF LOCKOUT.



PART NUMBER	DESCRIPTION	MAX. NO. LOCKS.	STANDARD PKG.
PSL-1	HASP WITH 1.0" (25 mm) DIA. JAW AND OVERLAPPING TABS	6	12
PSL-1.5	HASP WITH 1.5" (38 mm) DIA. JAW AND OVERLAPPING TABS	6	12
PSL-1A	HASP WITH 1.0" (25 mm) DIA. JAW	6	12
PSL-1.5A	HASP WITH 1.5" (38 mm) DIA. JAW	6	12

CAD FILENAME/LAYERS 100318MU\_DC\_C10099/00B

PANDUIT CORP. TINLEY PARK, ILLINOIS

SAFETY LOCKOUT - PSL - \*\*

REV	DATE	BY	CHK	DESCRIPTION	ECN	R	CUST	SUP
4	10/20/08	RVU		CHANGE FORMAT 'B' TO 'A'. ADDED NEW COLUMNS OF "G" DIA., "H" R., VIEW 2 AND REVISED NOTES 2.	5571	R		
3	7-27-06	RVU	DWY	ADD TABLE "E" AND "F".	4583	R		
2	3-29-05	RVU	DWY	ADDED SIDE VIEW, VIEW 1, AND DIMENSIONS "A", "B", "C" AND "D".	3840	R		
1	3-25-03	RVU	DWY	DIMENSION 1.50 ±.125, 5.00 ±.125, & TOLERANCE ADDED. MISC. REVISIONS.	3207	R		
R	9-23-99	RVU	DWY	DRAWING RELEASE	1438	R		

UNLESS OTHERWISE SPECIFIED, DIMENSIONAL TOLERANCES ARE:  
 (.X) ± (.XXX) ±  
 (.XX) ± ANGLES ±

UNLESS OTHERWISE SPECIFIED, ALL DIMENSIONS ARE GIVEN IN INCHES, THIRD ANGLE PROJECTION.

SCALE NTS

DRAWING NO. C10099

DWG SIZE A

DRAWN BY RVU

DATE 9-23-99

CHK'D

MAT'L: C108 STEEL ZINC PLATED WITH RED PVC COATING