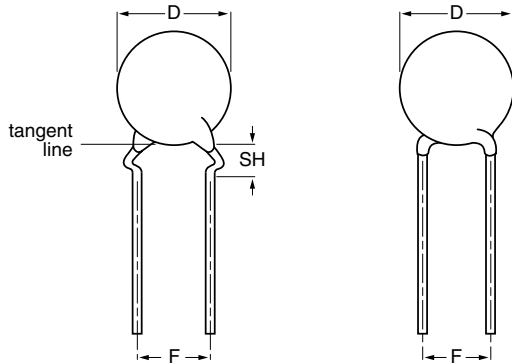


## Ceramic Disc Capacitors

### Safety, Class X1/Y2 400/250 V (AC) Series DN



Capacitors with 7.5 mm (0.30")/10 mm (0.40") lead spacing

**INSULATION RESISTANCE AT 500 V (DC):**

≥ 10 000 MΩ

**TOLERANCE ON CAPACITANCE:**

± 10 %; ± 20 %; - 20/+ 80 %

**DISSIPATION FACTOR:**

at 1 kHz; 1 V (RMS); 2.5 % max

**TEMPERATURE COEFFICIENTS:**

U2M; Y5P; Z5U; Y5U; Y5V

**APPROVALS:**

ENEC, UL, CSA

**CLIMATIC CATEGORY:**

25/125/56 or 25/85/21

**OPERATING TEMPERATURE RANGE:**

- 30 to + 125 °C

**MARKING**

Marking indicates capacitance value and tolerance in accordance with "EIA 198", voltage and approval marks.

**FEATURES**

- Complying with "EN 132 400" and "IEC 60384-14, 2nd edition, including amendment 1.1995"
- High reliability
- Kinked (preferred) or straight leads
- Lead (Pb)-free available



**RoHS**  
COMPLIANT

**APPLICATIONS**

- Across-the-line
- Line by-pass
- Antenna coupling

**DESIGN**

The capacitors consist of a ceramic disc both sides of which are silver-plated. Connection leads are made of tinned copper having a diameter of 0.6 mm or 0.8 mm.

The capacitors may be supplied with kinked or straight leads having a lead spacing of 7.5 mm (0.300") or 10 mm (0.400") and a lead length from 4 to 30 mm. The standard tolerance on capacitance is ± 10 % for U2M, Y5P material, ± 20 % for Z5U, Y5U material and - 20/+ 80 % for Y5V. Encapsulation is made of flammable resistant epoxy resin in accordance with "UL94V-0".

**CAPACITANCE RANGE:**

at 1 kHz, 1 V (RMS); 10 to 10 000 pF

**RATED VOLTAGE  $U_R$ :**

(X1): 400 V (AC), 50 Hz (IEC 60384-14.2)

(Y2): 250 V (AC), 50 Hz (IEC 60384-14.2)

**DIELECTRIC STRENGTH BETWEEN LEADS:**

Component test:

2500 V (AC), 50 Hz, 2 seconds

As repeated test admissible only once with:

2250 V (AC), 50 Hz, 2 seconds

Random sampling test (destructive test):

2500 V (AC), 50 Hz, 60 seconds

**DIELECTRIC STRENGTH OF BODY INSULATION:**

2500 V (AC), 50 Hz, 60 seconds (destructive test)

The capacitors meet the essential requirements of "EIA 198". Unless stated otherwise all electrical values apply at an ambient temperature of 25 ± 3 °C, at normal atmospheric conditions.

<b>ORDERING INFORMATION 250 V (AC)</b>						
C (pF)	TOL. (%)	D <sub>max</sub> (mm)	LEAD SPACING F (mm)	SH <sup>(2)</sup> (mm)	CLEAR TEXT CODE	
					13 <sup>th</sup> DIGIT: T = REEL; U = AMMO; 3 = BULK <sup>(3)</sup> 16 <sup>th</sup> DIGIT: R = RoHS COMPLIANT	
<b>U2M</b>						
10	± 10	6.5	7.5	4.0	S100K25U2MS6.K7.	
15					S150K25U2MS6.K7.	
22					S220K25U2MS6.K7.	
33					S330K25U2MS6.K7.	
47					S470K29U2MS6.K7.	
68					S680K33U2MS6.K7.	
<b>Y5P</b>						
100	± 10	8.5	7.5	4.0	S101K33Y5PS6.K7.	
150					S151K33Y5PS6.K7.	
220					S221K33Y5PS6.K7.	
330					S331K33Y5PS6.K7.	
470					S471K33Y5PS6.K7.	
680					S681K39Y5PS6.K7.	
1000					S102K43Y5PS6.K7.	
<b>Z5U</b>						
1000	± 20	8.5	7.5	4.0	S102M33Z5US6.K7.	
1500		10.0			S152M39Z5US6.K7.	
2200		11.0			S222M43Z5US6.K7.	
3300		13.5			S332M53Z5US6.K7.	
3900		15.0			S392M53Z5US6.K7.	
4700		17.5			S472M59Z5US63K7.	
6800		17.5			S682M69Z5US83K0.	
10 000		21.5			10	S103M84Z5US83K0.
<b>Y5U</b>						
1000		± 20	7.5	7.5	4.0	S102M29Y5US6.K7.
1500	8.5		S152M33Y5US6.K7.			
2200	10.0		S222M39Y5US6.K7.			
3300	12.0		S332M47Y5US6.K7.			
3900	13.5		S392M53Y5US6.K7.			
4700	13.5		S472M53Y5US6.K7.			
<b>Y5V</b>						
2200	- 20/+ 80	8.5	7.5	4.0	S222Z33Y5VS6.K7.	
4700		12.0			S472Z47Y5VS6.K7.	
10 000		16.0			S103Z63Y5VS83K7.	

**Notes**

1. Maximum thickness 6.0 mm
2. SH = seated height
3. Straight leads are available on request

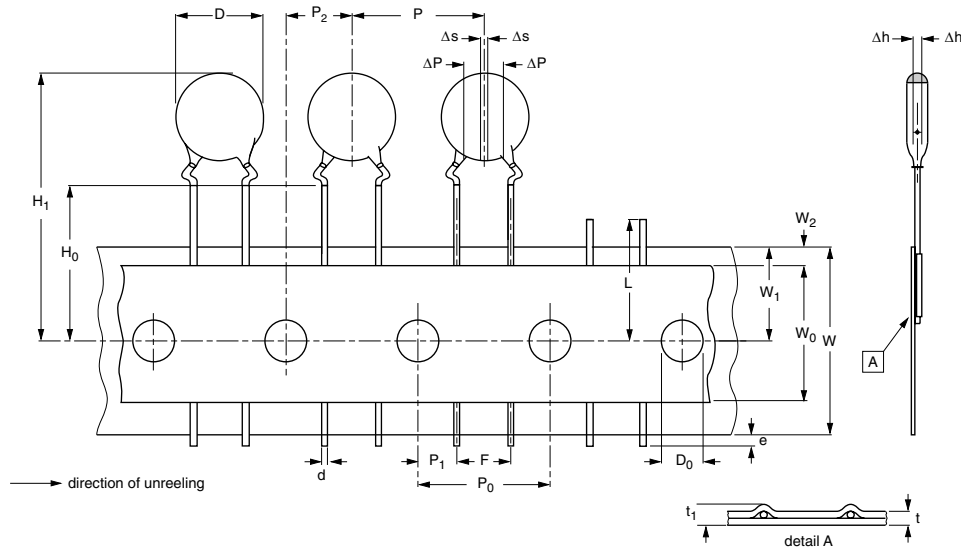
<b>PACKAGING</b>				
D <sub>max</sub> (mm)	SIZE CODE	PACKAGING QUANTITIES		
		BULK	REEL	AMMO
8.5 (0.33")	33	1000	1000	1000
10.0 (0.39")	39			
11.0 (0.43")	43			
12.0 (0.47")	47			
13.5 (0.53")	53	500	-	-
15.0 (0.59")	59			
17.5 (0.69")	69			
19.0 (0.75")	75			
21.5 (0.84")	84			
		250		

**Note**

1. The capacitors are supplied in bulk packaging (cardboard boxes), in tape on reel or in ammpack

Ceramic Disc Capacitors  
Safety, Class X1/Y2 400/250 V (AC)  
Series DN

Vishay BCcomponents



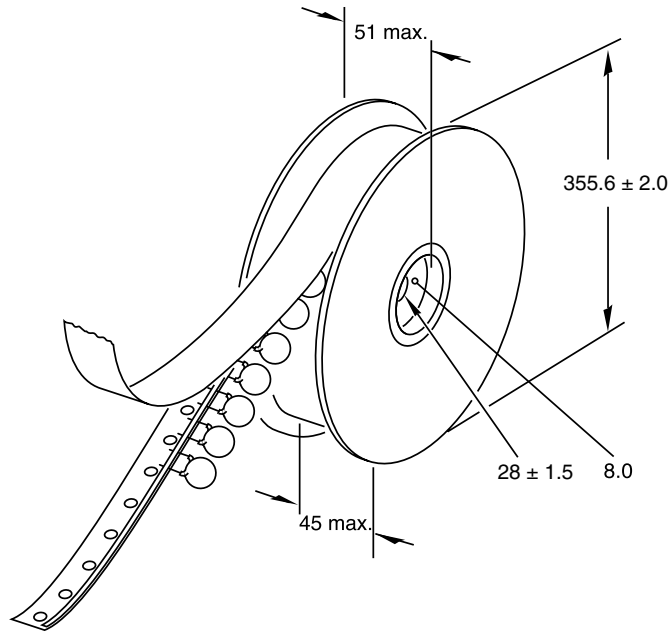
Kinked capacitors on tape, lead spacing 7.5 mm (0.30")

<b>DIMENSIONS OF TAPE</b>			
SYMBOL	PARAMETER	DIMENSIONS (mm)	
		NOMINAL	TOLERANCE
D	body diameter	14.0 max.	-
d	lead diameter	0.6	± 0.05
P	pitch between capacitors	15	± 1.0
P <sub>0</sub>	feed-hole pitch	15	± 0.3; note 1
ΔP	plane deviation	1.0 max.	-
P <sub>1</sub>	feed-hole centre to lead centre	3.75	± 0.7; note 2
P <sub>2</sub>	feed-hole centre to component centre	7.5	± 1.3; note 2
F	lead spacing	7.5	+ 0.6/- 0.4
Δh	component alignment	0	± 1.0
W	tape width	18.0	+ 1.0 - 0.5
W <sub>0</sub>	hold-down tape width	5.0 min.	-
W <sub>1</sub>	hole position	9.0	+ 0.75 - 0.5
W <sub>2</sub>	hold-down tape margin	3.0 max.	-
H <sub>0</sub>	height to seating plane	16.0	± 0.5
H <sub>1</sub>	maximum component height	40	-
e	lead end protrusion	1.0 max.	-
L	maximum length of snapped lead	11.0	-
D <sub>0</sub>	feed-hole diameter	4.0	± 0.2
t	total tape thickness	0.9 max.	-
t <sub>1</sub>	maximum thickness of tape and wires	1.5 max.	-

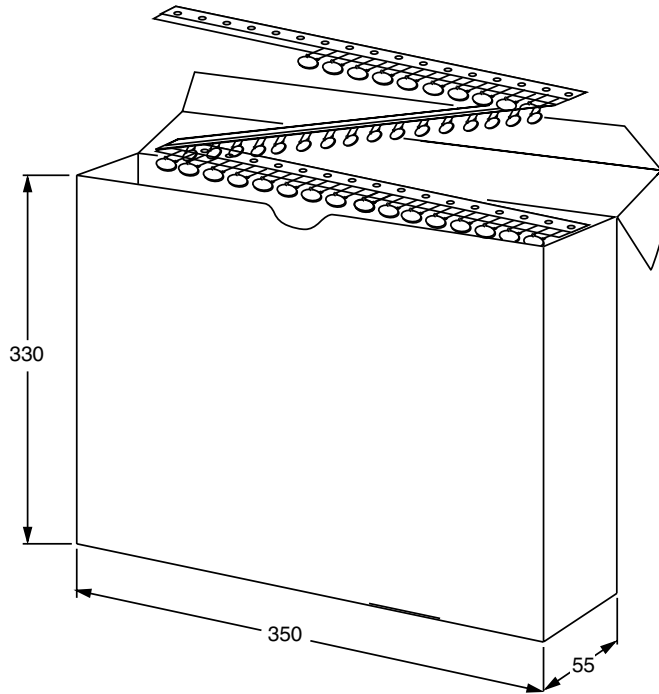
**Notes**

1. Cumulative pitch error:  $\pm \leq 1$  mm/20 pitches
2. Obliquity maximum 3°

**REEL AND TAPE DATA** in millimeters



Reel with capacitors on tape



Ampopack with capacitors on tape



## Disclaimer

All product specifications and data are subject to change without notice.

Vishay Intertechnology, Inc., its affiliates, agents, and employees, and all persons acting on its or their behalf (collectively, "Vishay"), disclaim any and all liability for any errors, inaccuracies or incompleteness contained herein or in any other disclosure relating to any product.

Vishay disclaims any and all liability arising out of the use or application of any product described herein or of any information provided herein to the maximum extent permitted by law. The product specifications do not expand or otherwise modify Vishay's terms and conditions of purchase, including but not limited to the warranty expressed therein, which apply to these products.

No license, express or implied, by estoppel or otherwise, to any intellectual property rights is granted by this document or by any conduct of Vishay.

The products shown herein are not designed for use in medical, life-saving, or life-sustaining applications unless otherwise expressly indicated. Customers using or selling Vishay products not expressly indicated for use in such applications do so entirely at their own risk and agree to fully indemnify Vishay for any damages arising or resulting from such use or sale. Please contact authorized Vishay personnel to obtain written terms and conditions regarding products designed for such applications.

Product names and markings noted herein may be trademarks of their respective owners.