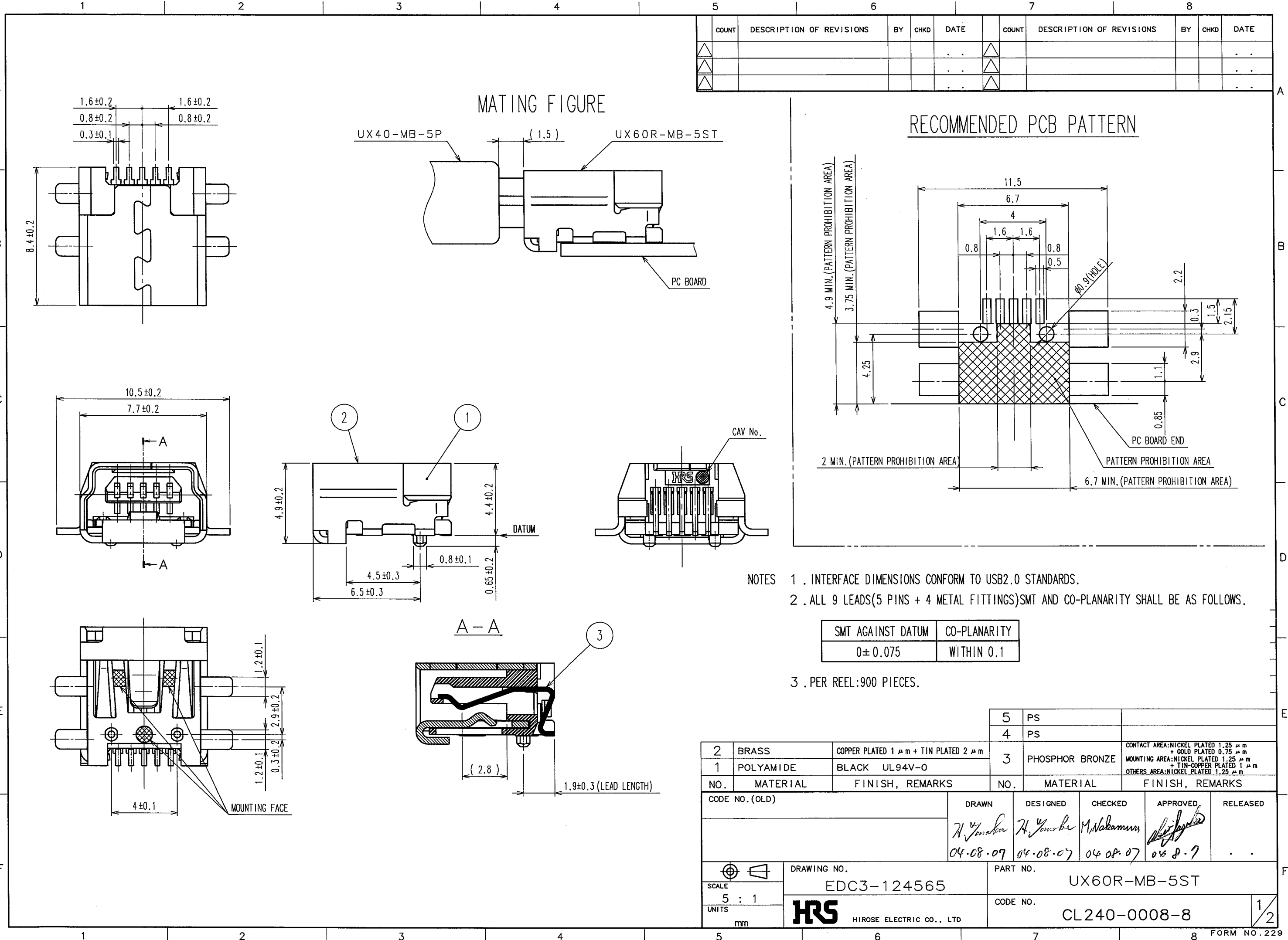


2008/09/17 01:25:02 CAROL TRIBBLE

DRAWING FOR REFERENCE: This is subject to change without notice

COUNT	DESCRIPTION OF REVISIONS	BY	CHKD	DATE	COUNT	DESCRIPTION OF REVISIONS	BY	CHKD	DATE
△					△				
△					△				
APPLICABLE STANDARD									
RATING	OPERATING TEMPERATURE RANGE	-30°C TO 75°C			STORAGE TEMPERATURE RANGE	-40°C TO 85°C			
	VOLTAGE	5V AC			OPERATING HUMIDITY RANGE	-% TO -%			
	CURRENT	1A			APPLICABLE CABLE	-			
SPECIFICATIONS									
ITEM		TEST METHOD			REQUIREMENTS			QT	AT
CONSTRUCTION									
GENERAL EXAMINATION		VISUALLY AND BY MEASURING INSTRUMENT.			ACCORDING TO DRAWING.			○	○
MARKING		CONFIRMED VISUALLY.						○	○
ELECTRIC CHARACTERISTICS									
CONTACT RESISTANCE		100 mA (DC OR 1000 Hz).						○	○
CONTACT RESISTANCE MILLIVOLT LEVEL METHOD.		20 mV MAX, 100 mA(DC OR 1000 Hz).			50 mΩ MAX.			○	-
INSULATION RESISTANCE		100 V DC			100 MΩ MIN.			○	○
VOLTAGE PROOF		100 V AC FOR 1min.			NO FLASHOVER OR BREAKDOWN			○	○
CAPASITANCE		MEASURE ADJACENT TWO CONTACTS AT 1000±10Hz AC VOLTAGE.			2 pF MAX			○	-
MECHANICAL CHARACTERISTICS									
INSERTION AND WITHDRAWAL FORCES		MEASURED BY APPLICABLE CONNECTOR.			INSERTION FORCE 35 N MAX. EXTRACTION FORCE 7 N MIN.			○	-
MECHANICAL OPERATION		5000 TIMES INSERTIONS AND EXTRACTIONS.			① CONTACT RESISTANCE: 70 mΩ MAX. ② EXTRACTION FORCE 3 N MIN. ③ NO DAMAGE, CRACK AND LOOSENESS, OF PARTS.			○	-
VIBRATION		FREQUENCY 10 TO 55 Hz, SINGLE AMPLITUDE 0.75 mm AT 2 h, FOR 3 DIRECTIONS.			① NO ELECTRICAL DISCONTINUITY OF 1 μs. ② NO DAMAGE, CRACK AND LOOSENESS, OF PARTS.			○	-
RANDOM VIBRATION		FREQUENCY 50 TO 2000 Hz, AT 15 min, FOR 3 DIRECTIONS.						○	-
SHOCK		490 m/s ² DIRECTIONS OF PULSE 11 ms AT 3TIMES FOR 6 DIRECTION. HALF SINE WAVE.						○	-
ENVIRONMENTAL CHARACTERISTICS									
THERMAL SHOCK		TEMPERATURE -55→ 20~35→ 85→ 20~35 °C TIME 30 → 2~3 → 30 → 2~3 min UNDER 10 CYCLES.			① CONTACT RESISTANCE: 70 mΩ MAX. ② NO DAMAGE, CRACK AND LOOSENESS, OF PARTS.			○	-
HUMIDITY LIFE		TEMPERATURE -10~65 °C, HUMIDITY 90 TO 98 %, UNDER 7 CYCLES (168 h)			① INSULATION RESISTANCE: 10 MΩ MIN.(AT DRY) ② NO DAMAGE, CRACK AND LOOSENESS, OF PARTS.			○	-
CORROSION SALT MIST		EXPOSED IN 5% SALT WATER SPRAY FOR 48 h. (JIS C 5402)			① CONTACT RESISTANCE: 70 mΩ MAX. NO DAMAGE, CRACK AND LOOSENESS, OF PARTS.			○	-
SOLDERABILITY		SOLDERED AT TEMP.245°C FOR IN IMMERSION,DURATION,2~3 S.			SOLDER SHALL COVER A MINIMUM OF 95% OF THE SURFACE BEING IMMersed.			○	-
REMARKS					DRAWN	DESIGNED	CHECKED	APPROVED	RELEASED
Unless otherwise specified, refer to USB2.0 EIA364.					H. Yamada 04.08.07	H. Yamada 04.08.07	M. Nakamura 04.08.07	 04.8.7	
Note QT:Qualification Test AT:Assurance Test ○:Applicable Test									
HRS HIROSE ELECTRIC CO., LTD.					SPECIFICATION SHEET			PART NO. UX60R-MB-5ST	
CODE NO.(OLD)			DRAWING NO. ELC4-124565		CODE NO. CL240-0008-8			1 1	

TO
Q



COUNT	DESCRIPTION OF REVISIONS	BY	CHKD	DATE	COUNT	DESCRIPTION OF REVISIONS	BY	CHKD	DATE

- NOTES
1. INTERFACE DIMENSIONS CONFORM TO USB2.0 STANDARDS.
 2. ALL 9 LEADS(5 PINS + 4 METAL FITTINGS)SMT AND CO-PLANARITY SHALL BE AS FOLLOWS.

SMT AGAINST DATUM	CO-PLANARITY
0±0.075	WITHIN 0.1

3. PER REEL:900 PIECES.

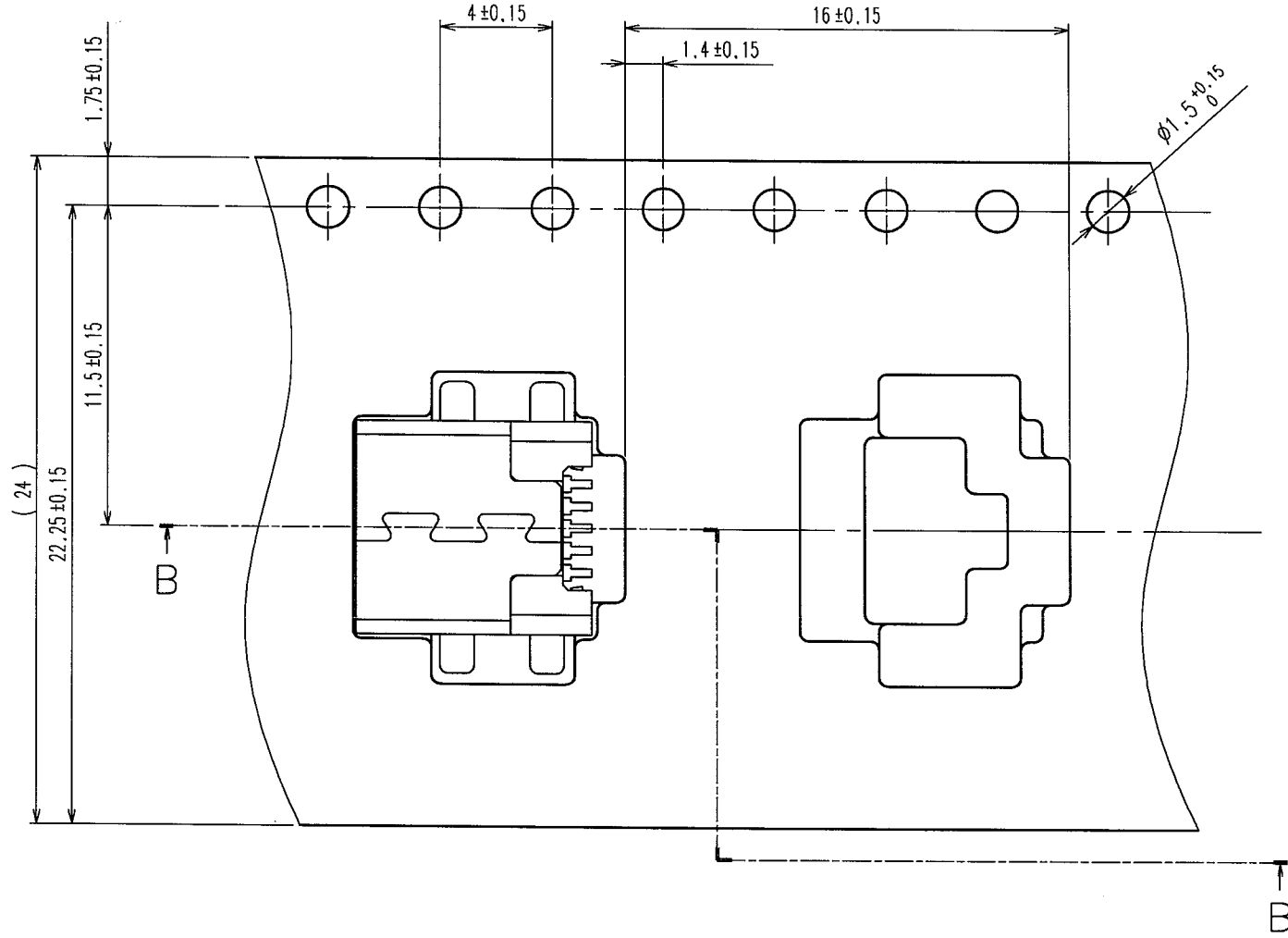
2	BRASS	COPPER PLATED 1 μm + TIN PLATED 2 μm	5	PS	
1	POLYAMIDE	BLACK UL94V-0	4	PS	
			3	PHOSPHOR BRONZE	CONTACT AREA:NICKEL PLATED 1.25 μm + GOLD PLATED 0.75 μm MOUNTING AREA:NICKEL PLATED 1.25 μm + TIN-COPPER PLATED 1 μm OTHERS AREA:NICKEL PLATED 1.25 μm
NO.	MATERIAL	FINISH, REMARKS	NO.	MATERIAL	FINISH, REMARKS
CODE NO. (OLD)		DRAWN	DESIGNED	CHECKED	APPROVED
		<i>H. Yoshida</i>	<i>H. Yoshida</i>	<i>M. Nakamura</i>	<i>[Signature]</i>
		04-08-09	04-08-07	04-08-07	04-8-7
DRAWING NO.		PART NO.		RELEASED	
EDC3-124565		UX60R-MB-5ST			
SCALE		CODE NO.		1/2	
5 : 1		CL240-0008-8			
UNITS		HRS HIROSE ELECTRIC CO., LTD			
mm					

TO

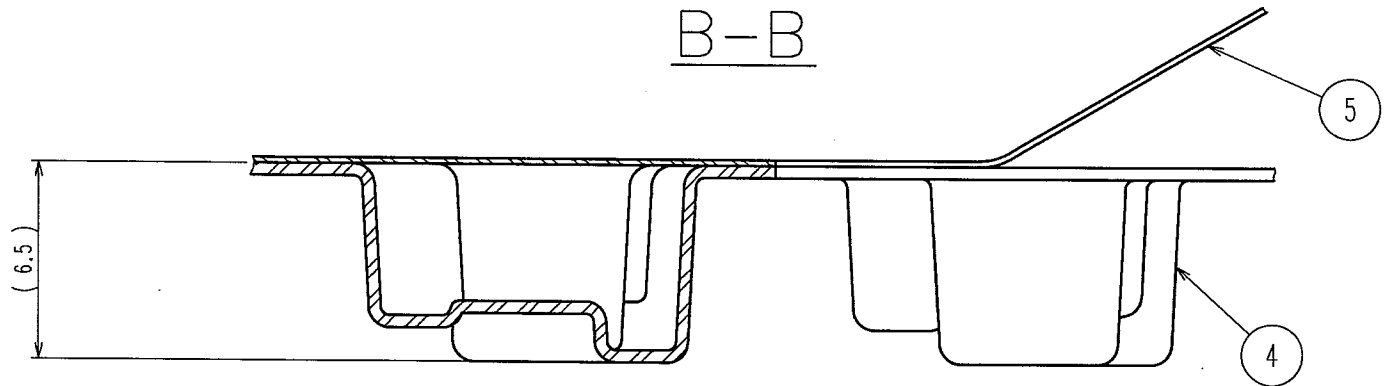
DRAWING FOR PACKING

UNREELING DIRECTION →

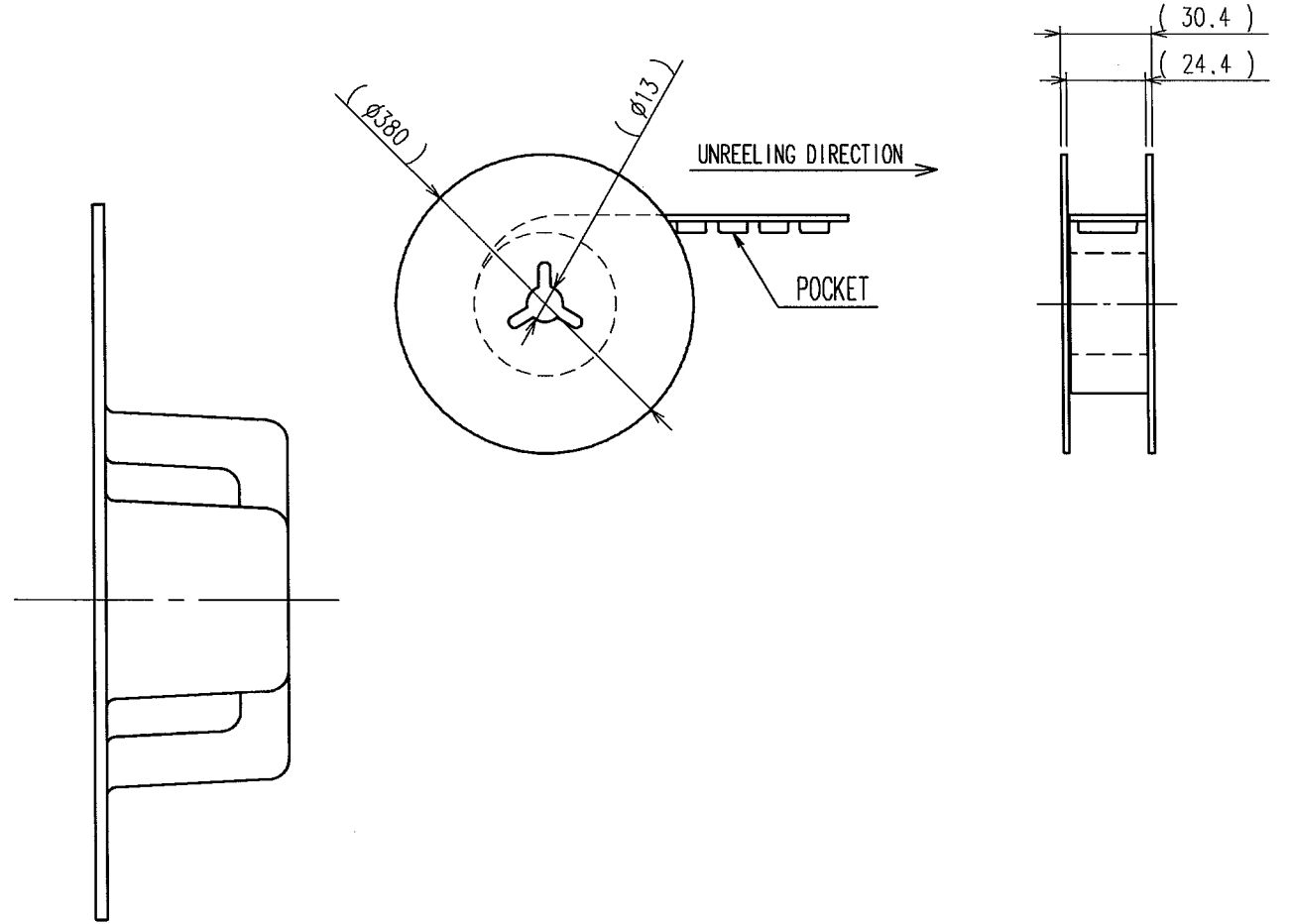
PACKAGING CONDITION(FREE)



B-B



COUNT	DESCRIPTION OF REVISIONS	BY	CHKD	DATE	COUNT	DESCRIPTION OF REVISIONS	BY	CHKD	DATE
△				..	△				..
△				..	△				..
△				..	△				..



NO.	MATERIAL	FINISH, REMARKS	NO.	MATERIAL	FINISH, REMARKS
CODE NO. (OLD)			DRAWN	DESIGNED	CHECKED
			<i>H. J. ...</i>	<i>H. J. ...</i>	<i>M. Nakamura</i>
			04-08-07	04-08-07	04-08-07
			APPROVED	RELEASED	
			<i>[Signature]</i>	..	
			04-8-7		
DRAWING NO. EDC3-124565			PART NO. UX60R-MB-5ST		
SCALE 4 : 1			CODE NO. CL240-0008-8		
UNITS mm			2/2		
HRS HIROSE ELECTRIC CO., LTD					