

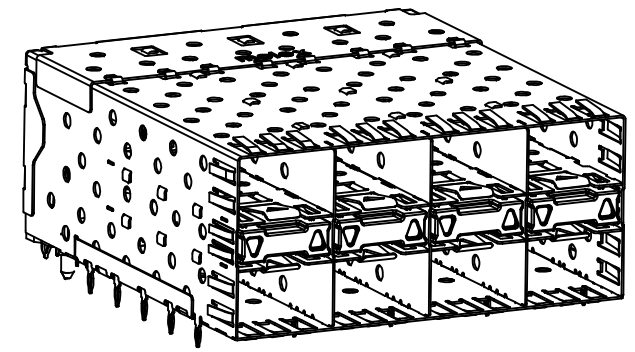
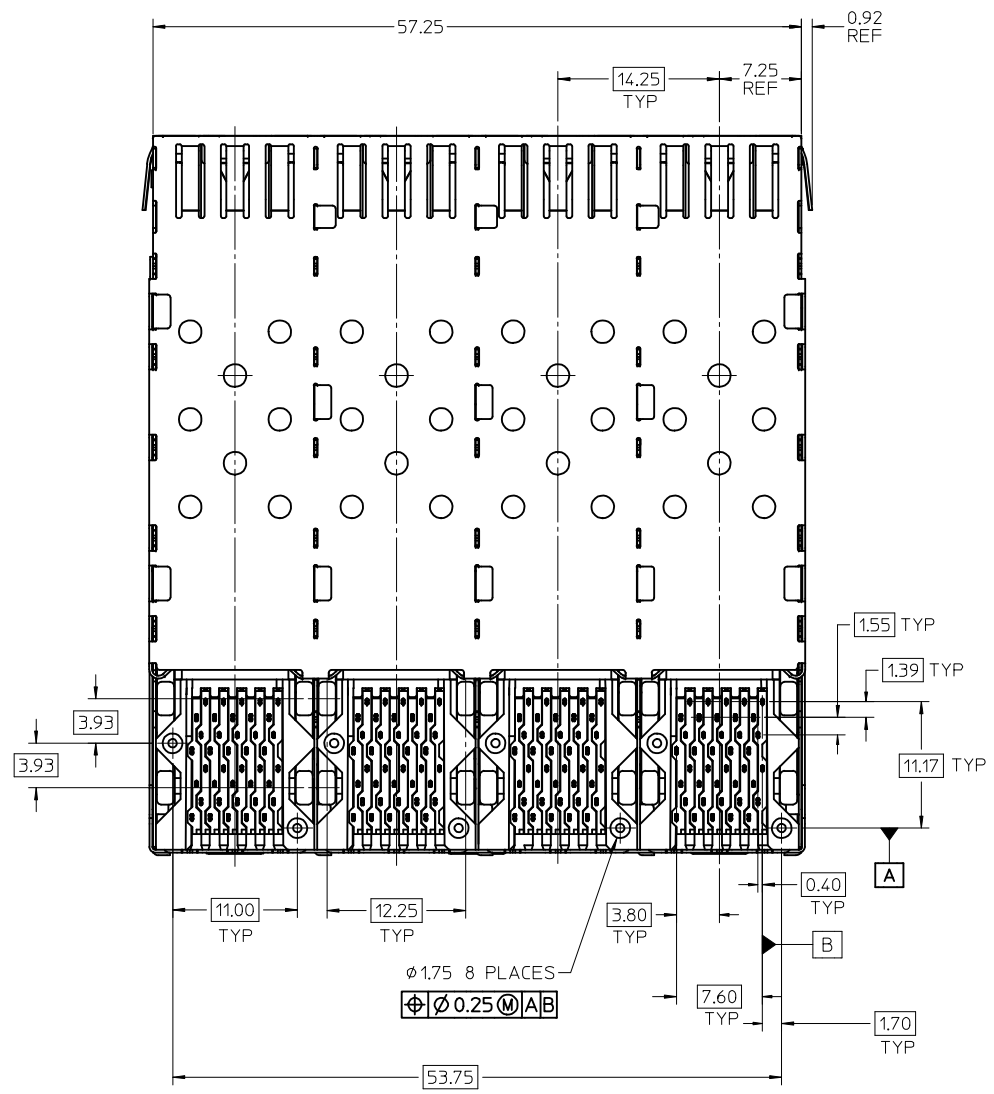
NOTES:

- MATERIAL:**  
 CAGE: NICKEL SILVER, THICKNESS: 0.25mm  
 CONNECTOR HOUSING: GLASS FILLED HIGH TEMP PLASTIC, 94 V-0  
 COLOR: BLACK  
 OVERMOLDED TERMINAL HOUSING: GLASS FILLED HIGH TEMP PLASTIC,  
 94 V-0, COLOR: BLACK  
 TERMINALS: TIN BRASS  
 LIGHT PIPES: POLYCARBONITE, 94 V-0, COLOR: CLEAR  
 LIGHT PIPE HOUSING: ZINC
- FINISH:**  
 CAGE ASSY: (ALTERNATE POST-PLATED) NICKEL (MATT) 2-5 MICROMETERS NICKEL OVER 2 MICROMETERS COPPER BASE.  
 LIGHT PIPE HOUSING: 150 MICROMETERS NICKEL OVER 150 MICROMETERS COPPER  
 TERMINALS: CONTACT AREA: 0.76 MICROMETERS MINIMUM HARD GOLD OVER 1.27 MICROMETERS NICKEL.  
 COMPLIANT TIAL - TIN/LEAD OPTION: 0.76 - 1.52 MICROMETERS 90/10 TIN/LEAD OVER 0.76 - 1.52 MICROMETERS NICKEL  
 COMPLIANT TAIL - TIN OPTION: 0.76 - 1.52 MICROMETERS TIN OVER 0.76 - 1.52 MICROMETERS NICKEL
- REFER TO PS-75310-001 PRODUCT SPEC FOR ALL ELECTRICAL, MECHANICAL AND ENVIRONMENTAL SPECIFICATIONS.
- LIGHT PIPE PAD LAYOUT IS FOR 0805 LOW-PROFILE LED PACKAGE. FOR OTHER RECOMMENDED LAYOUTS REFER TO MOLEX'S REPORT TS-75310-001.
- REFER TO PK-75450-001 FOR ALL PACKAGING SPECIFICATIONS.
- THE CURVED TAILS THAT GO INTO THE HOLES LOCATED BY THESE DIMENSIONS ARE BEING ELIMINATED. TO ACCOMMODATE THIS CONVERSION, IT IS RECOMMENDED THAT BOARDS DESIGNED TO THIS PRINT REVISION INCLUDE THESE HOLES.
- PART COMPLIES WITH COSMETIC SPECIFICATION PS-45499-002.  
 SEE SHEET 4 SECTION Z-Z FOR SURFACE CLASSIFICATIONS.  
 UNDERSIDE OF CAGE COMPLIES WITH CLASS "C".

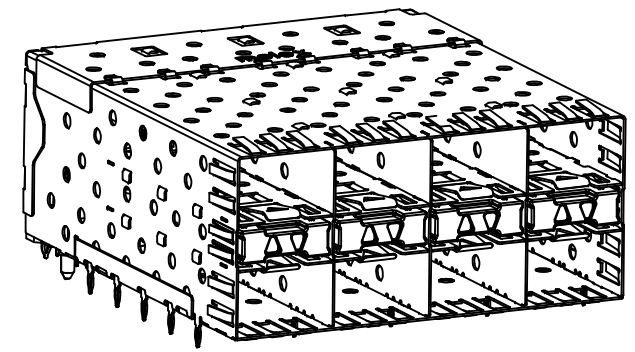
PART NUMBER	DESCRIPTION	VIEW	COMPLIANT TAIL PLATING	CAGE PLATING
754500001	4 PORT LIGHT PIPE	SEE PG 2	TIN / LEAD	N/A
754500002	INNER 2 PORTS	SEE PG 2	TIN / LEAD	N/A
754500003	OUTER 2 PORTS	SEE PG 2	TIN / LEAD	N/A
754505001	4 PORT LIGHT PIPE	SEE PG 2	TIN	N/A
754505002	INNER 2 PORTS	SEE PG 2	TIN	N/A
754505003	OUTER 2 PORTS	SEE PG 2	TIN	N/A
754501001	4 PORT LIGHT PIPE	SEE PG 2	TIN / LEAD	POST-PLATED

<b>ADD KEEP OUT ZONES</b> EC NO: UCP2010-0369 6/10/09 DRW:MSI BARRA CHK:BBARKER APPR:SMILLER 2009/08/26 2009/08/27	QUALITY SYMBOLS ▽=0 ▽=0	GENERAL TOLERANCES (UNLESS SPECIFIED)		DIMENSION STYLE <b>MM ONLY</b>		SCALE <b>3:1</b>	DESIGN UNITS <b>METRIC</b>	THIRD ANGLE PROJECTION	
		4 PLACES ± --- ± --- 3 PLACES ± --- ± --- 2 PLACES ± 0.13 ± --- 1 PLACE ± 0.25 ± ---	mm INCH ± --- ± --- ± 0.13 ± --- ± 0.25 ± ---	DRAWN BY JLONG	DATE 08-04-2004	TITLE <b>STACKED SFP 2X4 MEDIUM HEIGHT ASS'Y, PRESS-FIT TAILS WITH LIGHT PIPES</b>			
		ANGULAR ± 5 °		CHECKED BY JLONG	DATE 08-06-2004	APPROVED BY RNELSON		DATE 02-15-2005	MOLEX INCORPORATED
		DRAFT WHERE APPLICABLE MUST REMAIN WITHIN DIMENSIONS		SEE TABLE		MATERIAL NO. SD-75450-001	SHEET NO. 1 OF 4		

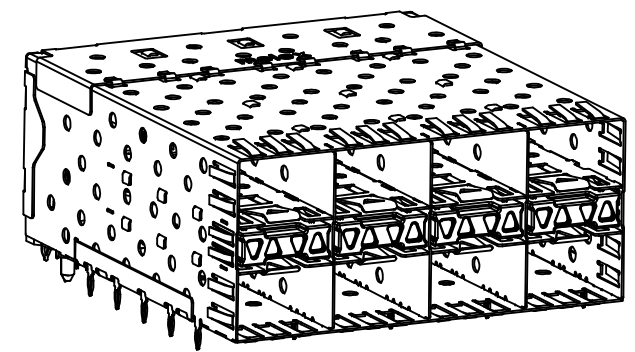
THIS DRAWING CONTAINS INFORMATION THAT IS PROPRIETARY TO MOLEX INCORPORATED AND SHOULD NOT BE USED WITHOUT WRITTEN PERMISSION



75450003 & 754505003  
WITH OUTER LIGHT PIPES

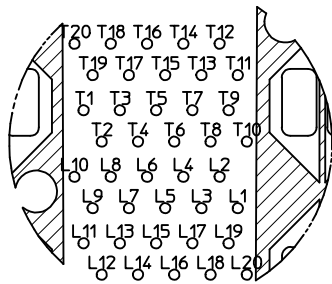


754500002 & 754505002  
WITH INNER LIGHT PIPES

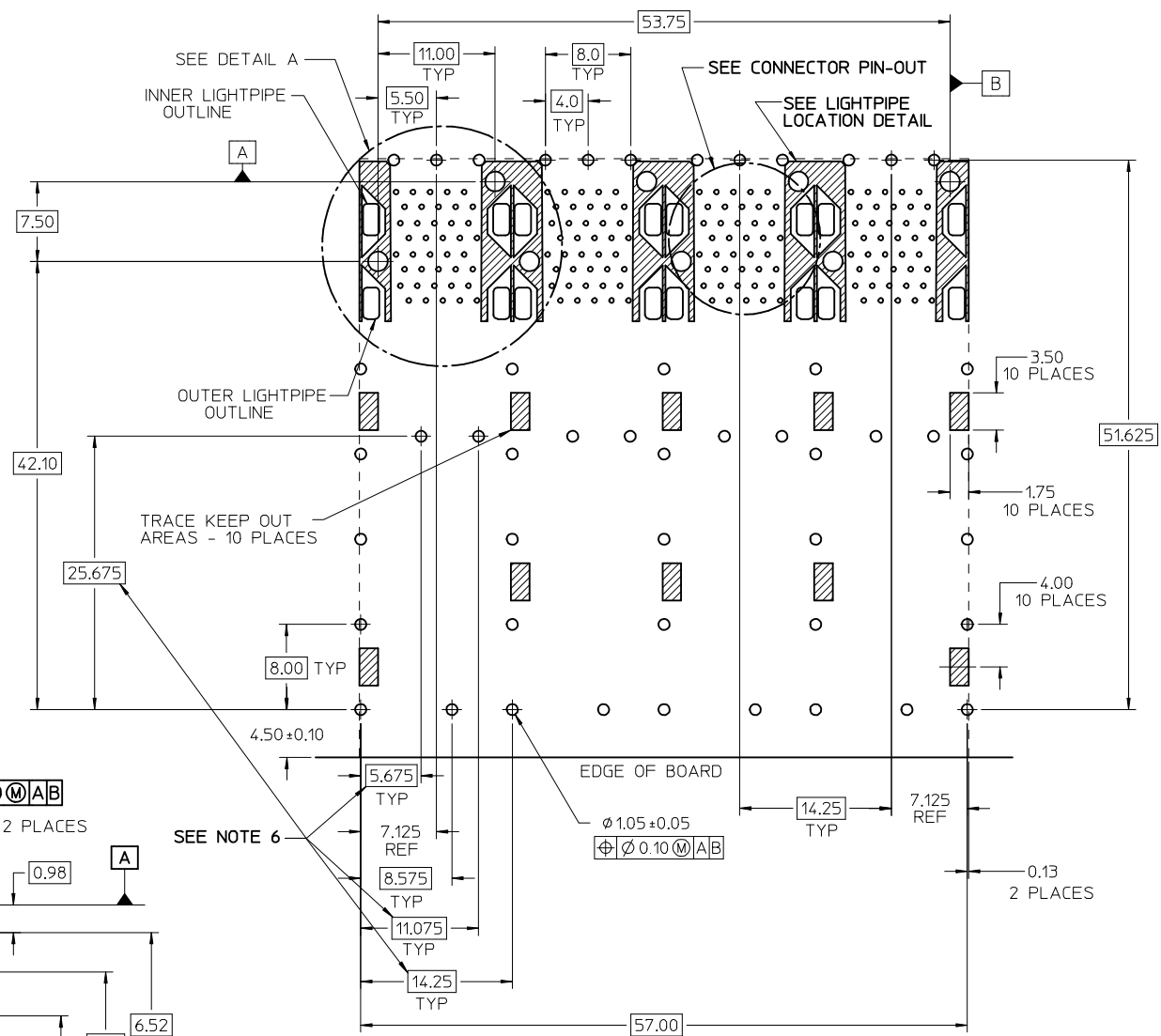
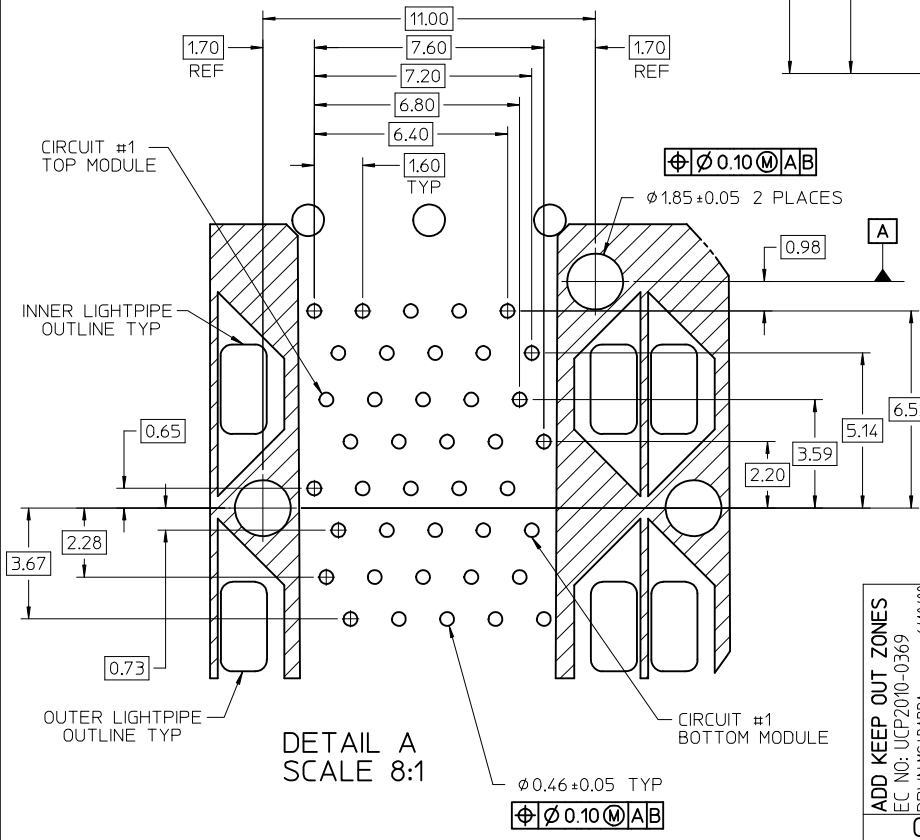


754500001, 754501001 & 754505001  
WITH INNER/OUTER LIGHT PIPES

SEE SHEET 1 EC NO: UCP2010-0369 6/10/09 DRWINH SI BARRA CHKD:BBARKER APPR:SMILLER 2009/08/26 2009/08/27	QUALITY SYMBOLS ▽=0 ▽=0	GENERAL TOLERANCES (UNLESS SPECIFIED)		DIMENSION STYLE MM ONLY		SCALE 3:1	DESIGN UNITS METRIC	THIRD ANGLE PROJECTION	
		4 PLACES ± --- ± --- 3 PLACES ± --- ± --- 2 PLACES ± 0.13 ± --- 1 PLACE ± 0.25 ± --- ANGULAR ± 5 °	mm INCH ± --- ± --- ± 0.13 ± --- ± 0.25 ± ---	DRAWN BY JLONG	DATE 08-04-2004	CHECKED BY JLONG	DATE 08-06-2004	TITLE STACKED SFP 2X4 MEDIUM HEIGHT ASS'Y, PRESS-FIT TAILS WITH LIGHT PIPES	
DRAFT WHERE APPLICABLE MUST REMAIN WITHIN DIMENSIONS		SEE TABLE		APPROVED BY RNELSON		DATE 02-15-2005	MOLEX INCORPORATED		SHEET NO. 2 OF 4
				MATERIAL NO. SEE TABLE		DOCUMENT NO. SD-75450-001			



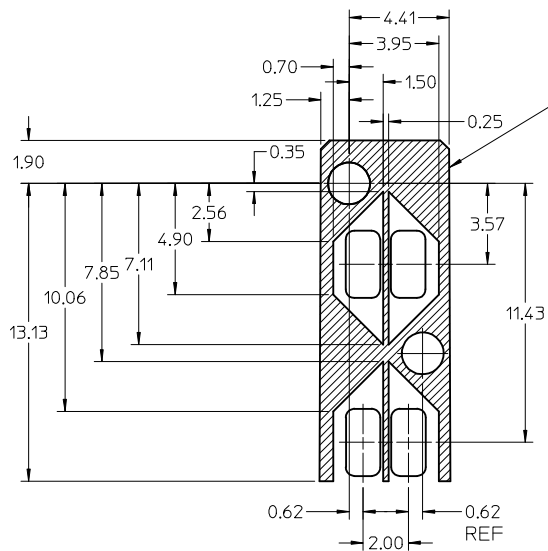
CONNECTOR PIN-OUT  
SCALE 6:1



RECOMMENDED PCB LAYOUT - COMPONENT SIDE  
RECOMMENDED PCB THICKNESS - 2.36 MM (.093 INCH)

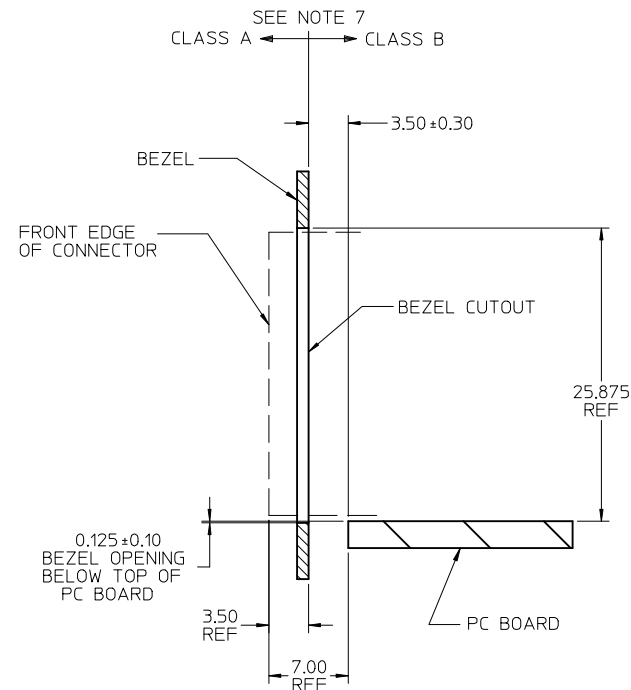
THE ENTIRE AREA OF THE CONNECTOR FOOTPRINT  
TO BE CONSIDERED THE KEEP OUT AREA FOR COMPONENTS  
(OTHER THAN LIGHT PIPE LED'S).  
THIS AREA IS INDICATED BY THE DASHED LINE

<b>ADD KEEP OUT ZONES</b> EC NO: UCP2010-0369 DRWN:MS BARRA 6/10/09 CHKD:BBARKER 2009/08/26 APPR:SMILLER 2009/08/27	QUALITY SYMBOLS $\nabla=0$ $\nabla=0$	GENERAL TOLERANCES (UNLESS SPECIFIED)		DIMENSION STYLE MM ONLY		SCALE 3:1	DESIGN UNITS METRIC	THIRD ANGLE PROJECTION
		mm	INCH	DRAWN BY JLONG	DATE 08-04-2004	TITLE STACKED SFP 2X4 MEDIUM HEIGHT ASS'Y, PRESS-FIT TAILS WITH LIGHT PIPES	MOLEX INCORPORATED	SHEET NO. 3 OF 4
4 PLACES ± --- ± --- 3 PLACES ± --- ± --- 2 PLACES ± 0.13 ± --- 1 PLACE ± 0.25 ± --- ANGULAR ± 5°		CHECKED BY JLONG	DATE 08-06-2004	APPROVED BY RNELSON 02-15-2005		DOCUMENT NO. SD-75450-001		
DRAFT WHERE APPLICABLE MUST REMAIN WITHIN DIMENSIONS		SEE TABLE		THIS DRAWING CONTAINS INFORMATION THAT IS PROPRIETARY TO MOLEX INCORPORATED AND SHOULD NOT BE USED WITHOUT WRITTEN PERMISSION				

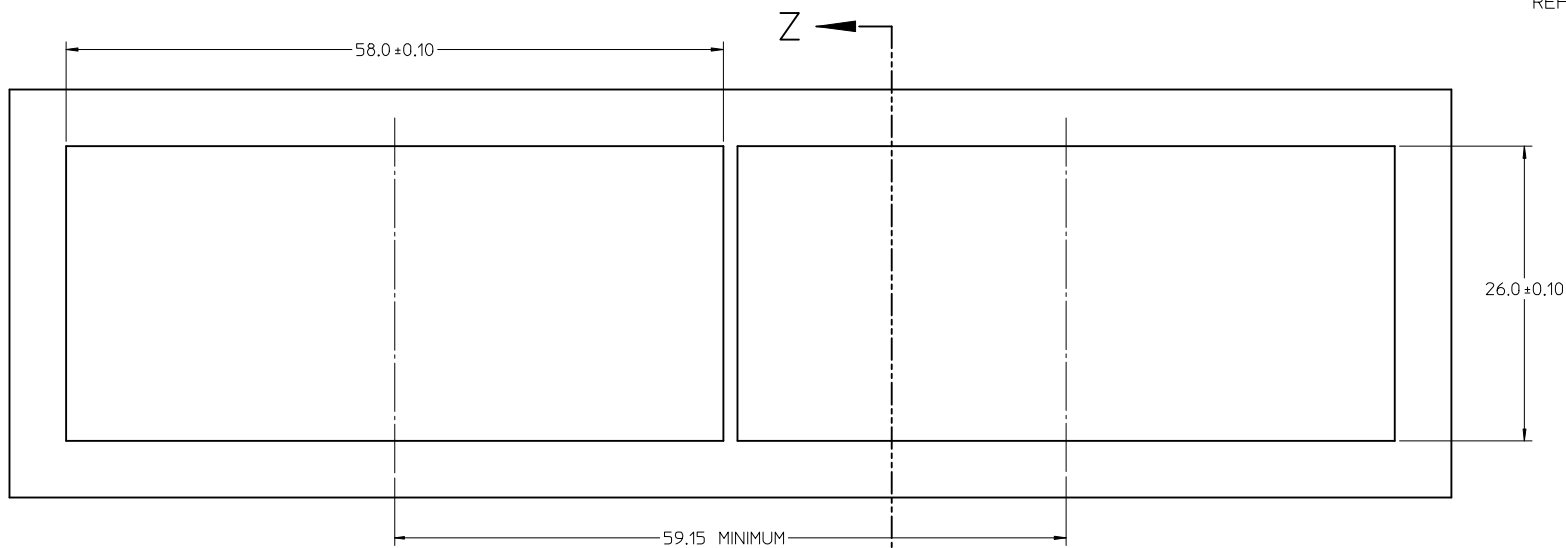


THE HATCHED AREA IN THIS VIEW INDICATES ZONES THAT ARE OCCUPIED BY THE PLASTIC HOUSING THAT SEATS AGAINST THE PCB AND BY THE VERTICAL METAL CAGE WALL THAT STOPS JUST SHORT OF THE PCB

DETAIL - LIGHT PIPE LOCATION AND OTHER ZONES  
SCALE 6:1



SECTION Z-Z  
SCALE 3:1



BEZEL CUTOUT CENTER SPACING DETAIL  
BEZEL THICKNESS 0.8-2.6

<b>SEE SHEET 1</b> EC NO: UCP2010-0369 6/10/09 DRWINHSTIBARRA CHKD:BBARKER 2009/08/26 APPR:SMILLER 2009/08/27	QUALITY SYMBOLS ▽=0 ▽=0	GENERAL TOLERANCES (UNLESS SPECIFIED) <table border="1"> <tr> <th></th> <th>mm</th> <th>INCH</th> </tr> <tr> <td>4 PLACES</td> <td>± ---</td> <td>± ---</td> </tr> <tr> <td>3 PLACES</td> <td>± ---</td> <td>± ---</td> </tr> <tr> <td>2 PLACES</td> <td>± 0.13</td> <td>± ---</td> </tr> <tr> <td>1 PLACE</td> <td>± 0.25</td> <td>± ---</td> </tr> </table>		mm	INCH	4 PLACES	± ---	± ---	3 PLACES	± ---	± ---	2 PLACES	± 0.13	± ---	1 PLACE	± 0.25	± ---	DIMENSION STYLE <b>MM ONLY</b> DRAWN BY: JLONG DATE: 08-04-2004 CHECKED BY: JLONG DATE: 08-06-2004 APPROVED BY: RNELSON DATE: 02-15-2005	SCALE <b>3:1</b> DESIGN UNITS <b>METRIC</b> THIRD ANGLE PROJECTION	TITLE <b>STACKED SFP 2X4 MEDIUM HEIGHT ASS'Y, PRESS-FIT TAILS WITH LIGHT PIPES</b> <b>MOLEX INCORPORATED</b>
		mm	INCH																	
	4 PLACES	± ---	± ---																	
	3 PLACES	± ---	± ---																	
2 PLACES	± 0.13	± ---																		
1 PLACE	± 0.25	± ---																		
MATERIAL NO. <b>SEE TABLE</b>	DOCUMENT NO. <b>SD-75450-001</b>	SHEET NO. <b>4 OF 4</b>																		
DRAFT WHERE APPLICABLE MUST REMAIN WITHIN DIMENSIONS			THIS DRAWING CONTAINS INFORMATION THAT IS PROPRIETARY TO MOLEX INCORPORATED AND SHOULD NOT BE USED WITHOUT WRITTEN PERMISSION																	
			SIZE C																	