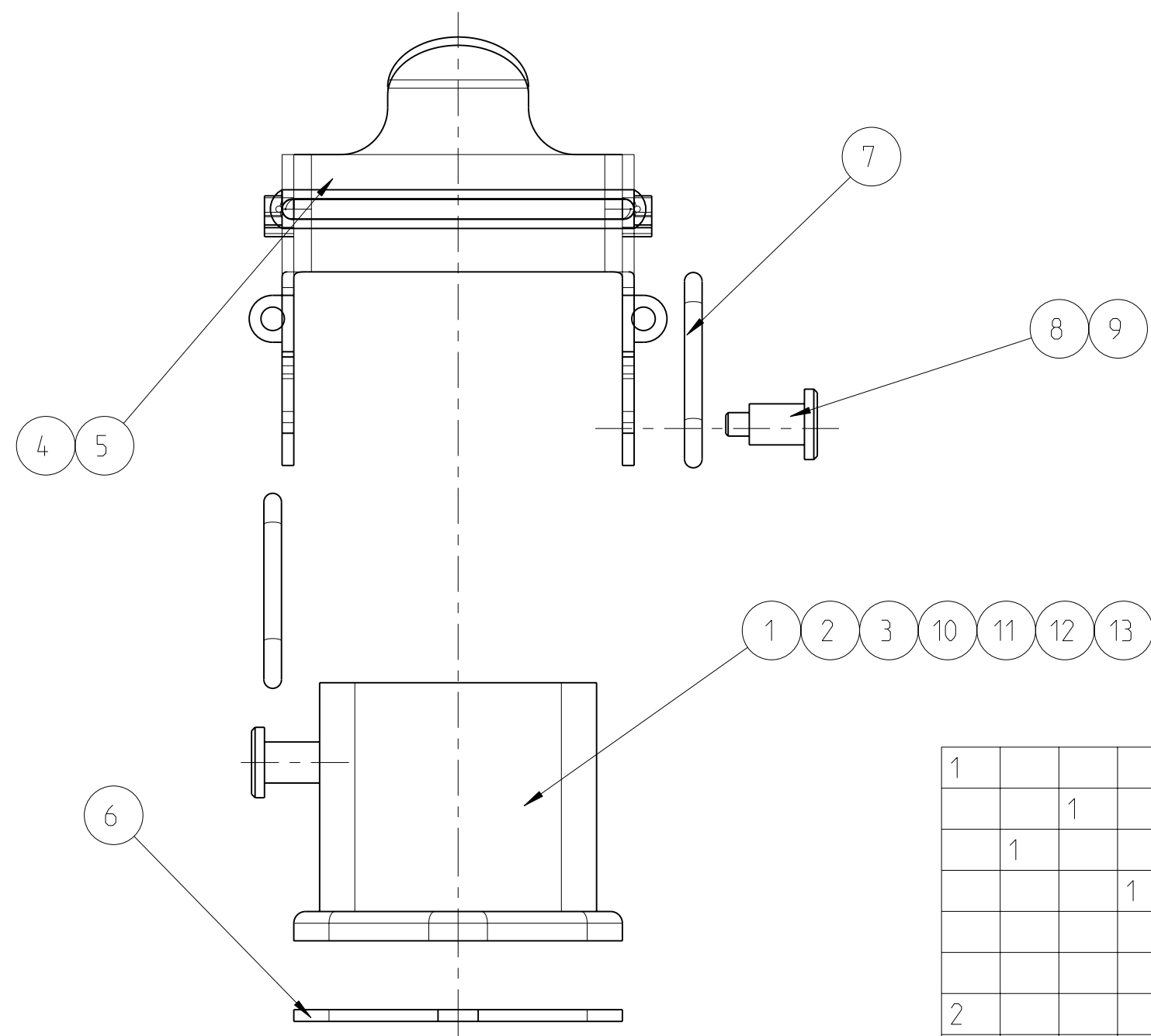


THIS DRAWING IS UNPUBLISHED. RELEASED FOR PUBLICATION 2006  
 © COPYRIGHT 2006 BY TYCO ELECTRONICS CORPORATION. ALL INTERNATIONAL RIGHTS RESERVED.

LOC	DIST	REVISIONS			
P	LTR	DESCRIPTION	DATE	DWN	APVD
A	10	ECR-10-004857	09MAR2010	SR	AR



- NOTES
- 1 PART SHALL BE FREE AND CLEAN OF BURRS AND OTHER FOREIGN MATERIAL
  - 2 PACKAGING: QUANTITY 10 PIECES
  - 3 SPECIAL PACKAGING: PACKAGING UNIT: 100 PIECES

QTY	0-7	0-6	0-5	0-4	0-3	0-2	0-1	6-2	2-2	1-2	DESCRIPTION	MATERIAL	SURFACE	COLORE	ITEM	NOTES
1											SURFACE MOUNTED HOUSING BOTTOM ENTRY	ZINC DICAST	CHROMOLUX-K-BLUE CHR.	METALLIC SILVER	15	
											SURFACE MOUNTED HOUSING BOTTOM ENTRY	ZINC DICAST		BLACK	14	
											SURFACE MOUNTED HOUSING BOTTOM ENTRY	ZINC DICAST		BLUE	13	
											SURFACE MOUNTED HOUSING BOTTOM ENTRY	ZINC DICAST	CHROMOLUX-K-BLUE CHR.	BLANC	12	
											SURFACE MOUNTED HOUSING BOTTOM ENTRY	ZINC DICAST		GREY	11	
											SURFACE MOUNTED HOUSING BOTTOM ENTRY	ZINC DICAST		WITHOUT VARNISH	10	
2								2	2		FIXING BOLT	STAINL. STEEL			9	
											FIXING BOLT	STEEL	ZINC PLATED	BLACK	8	
2								2	2	2	CLIP SPRING	STAINL. STEEL			7	
1								1	1	1	FLANGE SEAL	NEOPRENE		BLACK	6	
1										1	SIDE CLIP	STAINL. STEEL			5	
										1	SIDE CLIP	STEEL	ZINC PLATED	BLUE	4	
										1	SURFACE MOUNTED HOUSING BOTTOM ENTRY	ZINC DICAST		WHITE ALU.	3	
										1	SURFACE MOUNTED HOUSING BOTTOM ENTRY	ZINC DICAST		BLACK	2	
										1	SURFACE MOUNTED HOUSING BOTTOM ENTRY	ZINC DICAST		GREY	1	

QTY	0-7	0-6	0-5	0-4	0-3	0-2	0-1	6-2	2-2	1-2	DESCRIPTION	MATERIAL	SURFACE	COLORE	ITEM	NOTES
											HA.3.AG-LB				1	
											HA-K.3.AG-LB				1	
											HA.3.AG-LB-SO				2	
											HA-K.3.AG-LB				1	
											HA.3.AG-LB.KM				3	
											HA.3.AG				1	
											HA-EMV.3.AG-LB				1	
											HA.3.AG-LB				1	
											HA.3.AG-LB				1	
											HA-EMV-K.3.AG-LB				1	

THIS DRAWING IS A CONTROLLED DOCUMENT FOR TYCO ELECTRONICS CORPORATION IT IS SUBJECT TO CHANGE AND THE CONTROLLING ENGINEERING ORGANIZATION SHOULD BE CONTACTED FOR THE LATEST REVISION.		DWN R.SCHNEIDER 09MAR2010 CHK T.SCHNURPFIL 09MAR2010 APVD - PRODUCT SPEC - APPLICATION SPEC - WEIGHT - CUSTOMER DRAWING	Tyco Electronics tyco Electronics AMP GmbH 53757 Sankt Augustin (Germany)
DIMENSIONS: mm 	TOLERANCES UNLESS OTHERWISE SPECIFIED: 0 PLC ± 1 PLC ± 2 PLC ± 3 PLC ± 4 PLC ± ANGLES ±° FINISH	NAME SURFACE MOUNTED HOUSING BOTTOM ENTRY ASSY HA.3 SIZE A2 CAGE CODE 00779 DRAWING NO. 1102105 RESTRICTED TO - SCALE 5:1 SHEET 1 OF 1 REV A10	