

4

3

2

1

THIS DRAWING IS UNPUBLISHED.
VERTRÄULICHE UNVERÖFFENTLICHTE ZEICHNUNG

RELEASED FOR PUBLICATION
FREI FUER VERÖFFENTLICHUNG
1997

MATED WITH:
PASSEND ZU:
HA.3

LOC AI
DIST -

REVISIONS
ÄNDERUNGEN

© COPYRIGHT 1997

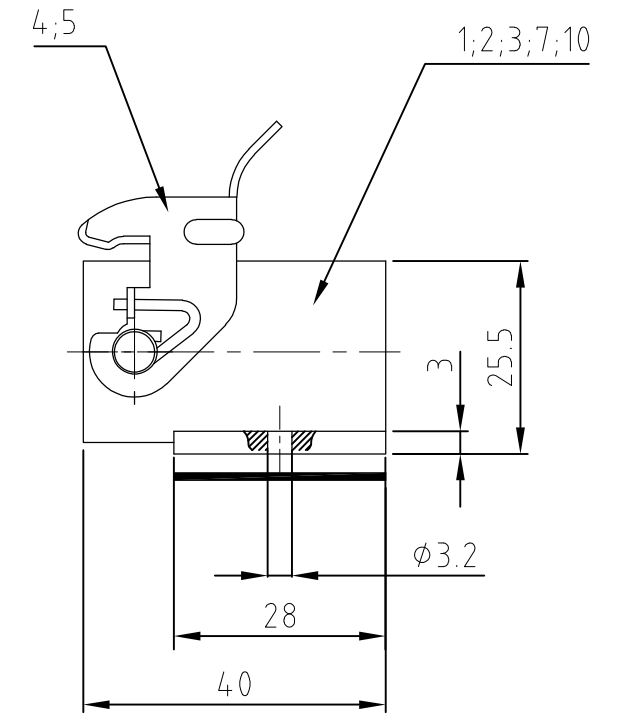
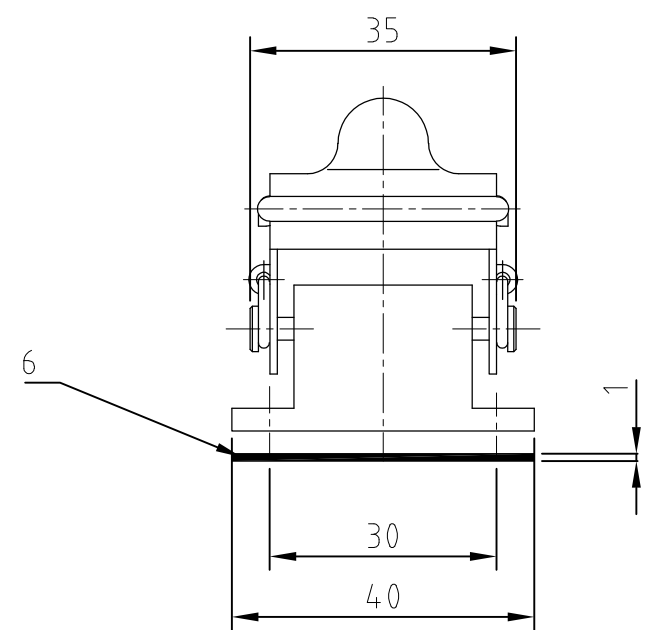
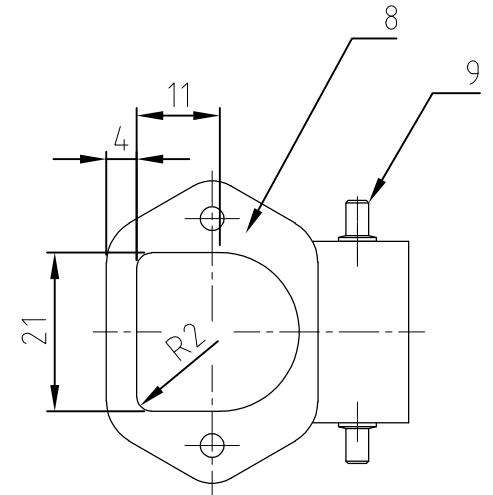
BY AMP INCORPORATED. ALL RIGHTS RESERVED.
ALLE RECHTE VORBEHALTEN

PROJEKT NR.:
-

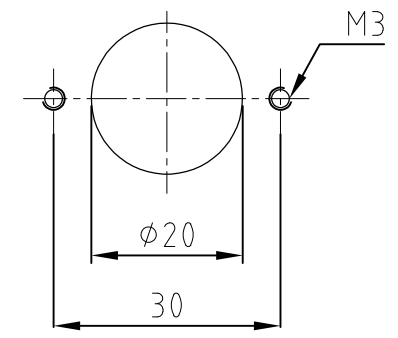
DESCRIPTION
BESCHREIBUNG
text for packaging corrected ECR-08-001603

DATE 18.01.08
DWN SR
APVD ST

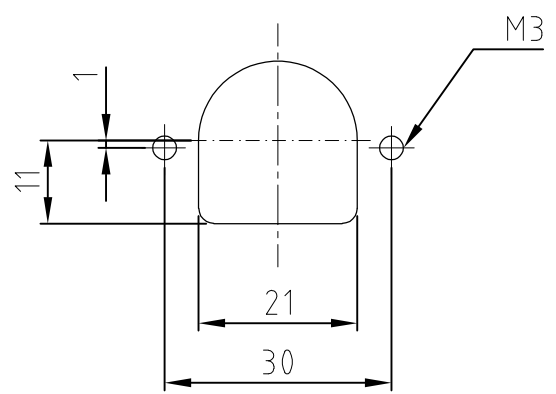
- NOTES:
- 1 Material: zink diecast
Seals: NEOPRENE
 - 2 SURFACE: HAMMER SCALES VARNISH
OR POWDER COATED
CORROSION PROTECTION
 - 3 PACKAGING:
PACKAGING QUANTITY: 5 PIECES
 - 4 SPECIAL PACKAGING: Krauss-Maffei
PACKAGING UNIT: 100 PIECES IN Krauss-Maffei-Box
 - 5 SEE THE QUALITYMANAGEMENT PROCEDURE NO. 1.12



Panel cut-out



Panel cut-out
nur für PN 7-2



1	2	1	1	1	1	1	1	1	DESCRIPTION	MATERIAL	SURFACE	COLOR	ITEM NO. POS.	NOTES
									surface mounted housing bottom entry	zinc diecast	blue passivation	without varnish	10	
									Bügelbolzen/clip bolt	steel		blue	9	
									surface mounted housing bottom entry	zinc diecast		grey	8	
									surface mounted housing bottom entry	zinc diecast		alufarbig	7	
1	1	1	1	1	1	1	1	1	Flanschdichtung/flanged seal	Neoprene		black	6	
1	1	1							side clip	stainless steel	blank		5	
									side clip	steel	zinc plated	blue	4	
1	1								surface mounted housing bottom entry			without varnish	3	
									surface mounted housing bottom entry			black	2	
								1	surface mounted housing bottom entry	zinc diecast		grey	1	

ORDERING TEXT / BESTELLTEXT	THIS DRAWING IS A CONTROLLED DOCUMENT FOR AMP INCORPORATED. IT IS SUBJECT TO CHANGE AND THE CONTROLLING ENGINEERING ORGANIZATION SHOULD BE CONTACTED FOR THE LATEST REVISION. DIESES ZEICHNUNGSDOKUMENT WIRD DURCH AMP INCORPORATED KONTROLLIERT. ÄNDERUNGEN, DIE DEM TECHNISCHEN FORTSCHRITT DIENEN, SIND VORBEHALTEN. DEN JEWEILS LETZTGÜELTIGEN ÄNDERUNGSSTAND ERFAHREN SIE AUF ANFRAGE.		DWN Schneider 03.11.1999	HTS Elektrotechnik 53819 Neunkirchen, Germany
	DIMENSIONS: DIMENSIONEN: mm		CHK M Schweiger 03.11.1999	
	TOLERANCES UNLESS OTHERWISE SPECIFIED: ALLGEMEINTOLERANZEN		APVD -	
	0 PLC #- 1 PLC #- 2 PLC #- 3 PLC #- ANGLES / WINKEL #- FINISH / OBERFLÄCHE / FARBE		PRODUCT SPEC 108-74000 APPLICATION SPEC 114-74002 WEIGHT GEWICHT	
HA.3.AGW-LB.KM		CUSTOMER DRAWING		RESTRICTED TO NUR FUER -
HA-EMV-K.3.AGW-LB		/KUNDENZEICHNUNG		MASSSTAB 1:1
HA.3.AGW-LB-SO		BLATT 1		OF VON 1
HA.3.AGW-SO		REV A5		
HA-K.3.AGW-LB-SO				
HA.3.AGW-LB-SO				
HA-K.3.AGW-LB				
HA.3.AGW-LB				