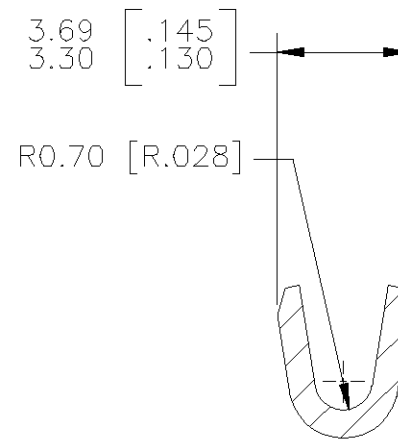
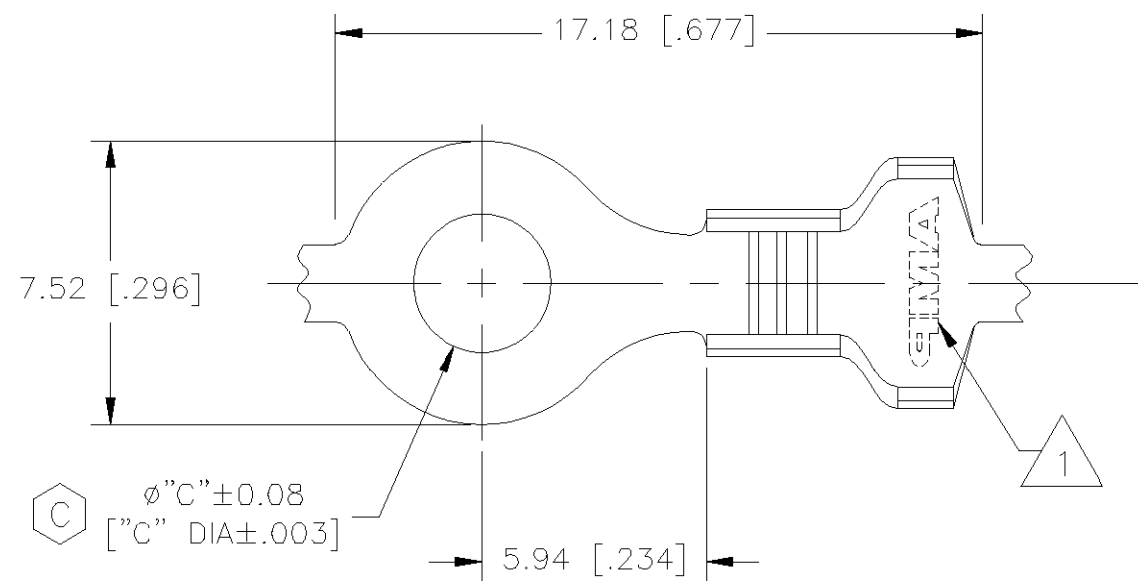
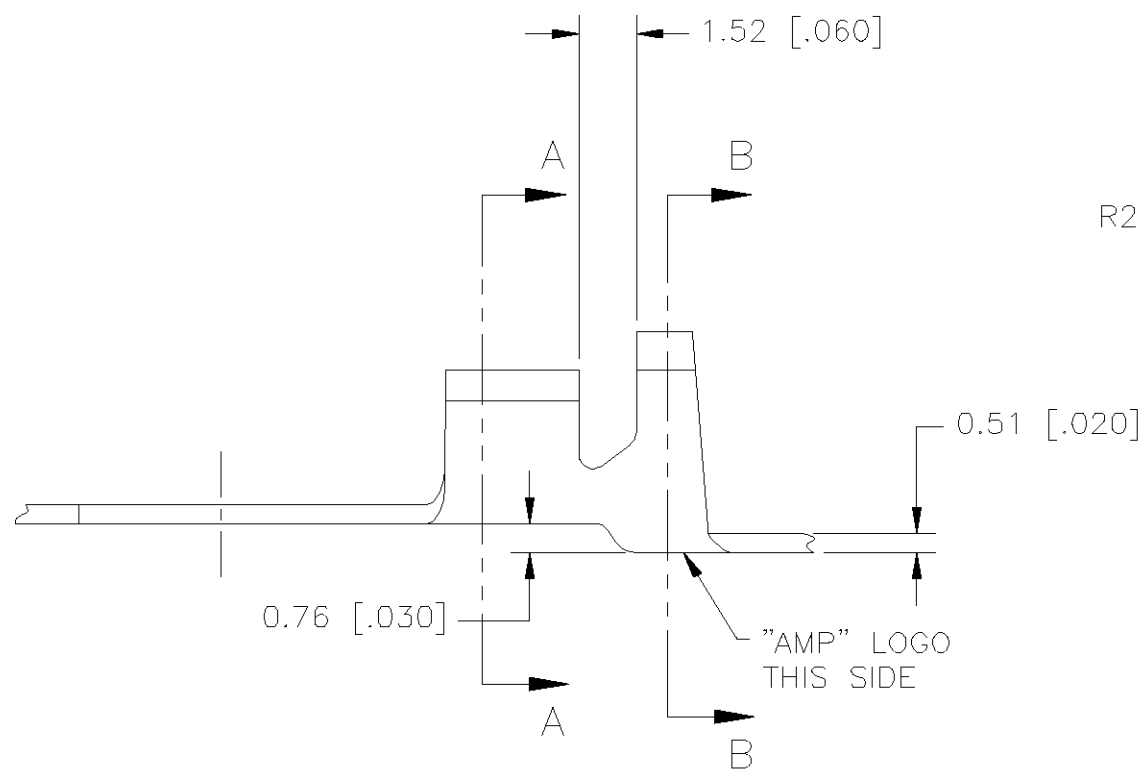


THIS DRAWING IS UNPUBLISHED. RELEASED FOR PUBLICATION
 © COPYRIGHT BY TYCO ELECTRONICS CORPORATION. ALL RIGHTS RESERVED.

LOC	DIST	REVISIONS			
P	LTR	DESCRIPTION	DATE	DWN	APVD
BG	1	C	REV. PER EC LC00-0030-02	15APR02	DM DGA



SECTION A-A



SECTION B-B

- 1 STAMPING: AMP.
- 2. WIRE INSULATION RANGE: 2.67 mm [.105 IN.] TO 4.32 mm [.170 IN.].
- 3. APPLICABLE WIRE GAGE RANGE: 18-14 AWG.
- 4. APPLICABLE STUD SIZES: #6, #8 & #10 STUDS.

5.36 [.211]	PRE-TINNED	#10	109452-6
5.36 [.211]	NONE	#10	109452-5
4.34 [.171]	PRE-TINNED	#8	109452-4
4.34 [.171]	NONE	#8	109452-3
3.71 [.146]	PRE-TINNED	#6	109452-2
3.71 [.146]	NONE	#6	109452-1
$\phi "C"$	FINISH	STUD SIZE	PART NO.

THIS DRAWING IS A CONTROLLED DOCUMENT.		DWN D.RENNOX 29APR98	Tyco Electronics Corporation Markham, ON L3R 1E1	
DIMENSIONS: MM [INCHES]		CHK D.ALLEN 15JUN98		
TOLERANCES UNLESS OTHERWISE SPECIFIED:		APVD R.PANIZZA 16JUN98	NAME TERMINAL, RING TONGUE, OPEN BARREL, 18-14 AWG, .020 IN. THK., #6, #8, #10 STUDS	
0 PLC ± - 1 PLC ± - 2 PLC ± 0.13 [.005] 3 PLC ± - 4 PLC ± - ANGLES ± -		PRODUCT SPEC -	RESTRICTED TO -	
MATERIAL -		FINISH -	APPLICATION SPEC -	SIZE A3
		WEIGHT -	CAGE CODE 00779	DRAWING NO C=109452
CUSTOMER DRAWING			SCALE NTS	SHEET 1 OF 1
			REV C	