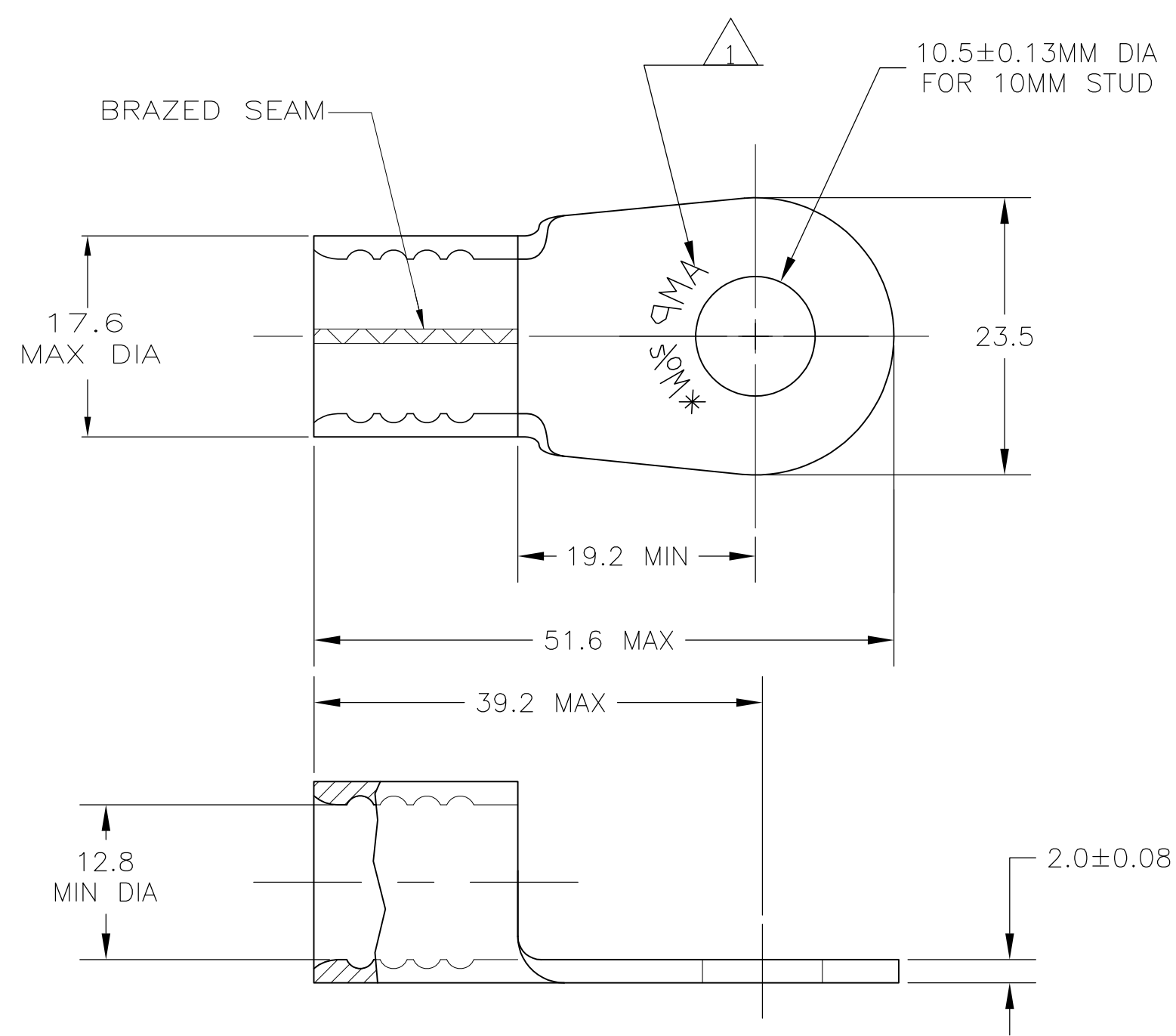


THIS DRAWING IS UNPUBLISHED. RELEASED FOR PUBLICATION  
 © COPYRIGHT - BY TYCO ELECTRONICS CORPORATION. ALL RIGHTS RESERVED.

LOC	DIST	REVISIONS					
G	05	P	LTR	DESCRIPTION	DATE	DWN	APVD
		B		REV PER ECR-10-000722	25JAN10	JR	TM



**AMP**  
WIRE RANGE

2/0 AWG  
SOLID OR STRANDED

- 1 STAMP "AMP 2/0W\*", LOCATED APPROX AS SHOWN
- 2 MAX OPERATION TEMPERATURE IS 170°C MAX
- 3 WIRE CROSS SECTIONAL AREA IS 60.6-76.3mm<sup>2</sup> [119,500-150,000] CMA.
- 4 COPPER PER ASTM B-152, ANNEALED
- 5 NICKEL PLATE 0.00762 [.0001300] MIN THK EXT PER QQ-N-290

50	LOOSE PIECE	132104-2
QTY	PACKAGE TYPE	PART NO.

THIS DRAWING IS A CONTROLLED DOCUMENT.		DWN JR RUTH 25JAN10	Tyco Electronics Corporation Harrisburg, Pa 17105-3608	
DIMENSIONS: INCHES		CHK T MICHIELUTTI 25JAN10		
		APVD T MICHIELUTTI 25JAN10	NAME TERMINAL, RING TONGUE, SOLISTRAND	
TOLERANCES UNLESS OTHERWISE SPECIFIED:		PRODUCT SPEC	-	
0 PLC ± -		APPLICATION SPEC	-	
1 PLC ± 0.2		WEIGHT	-	
2 PLC ± -		SIZE CAGE CODE DRAWING NO RESTRICTED TO		
3 PLC ± -		A3 00779 C-132104		
4 PLC ± -		CUSTOMER DRAWING SCALE 2:1 SHEET 1 OF 1 REV B		
ANGLES ± -				
FINISH				
MATERIAL - 4				
		5		