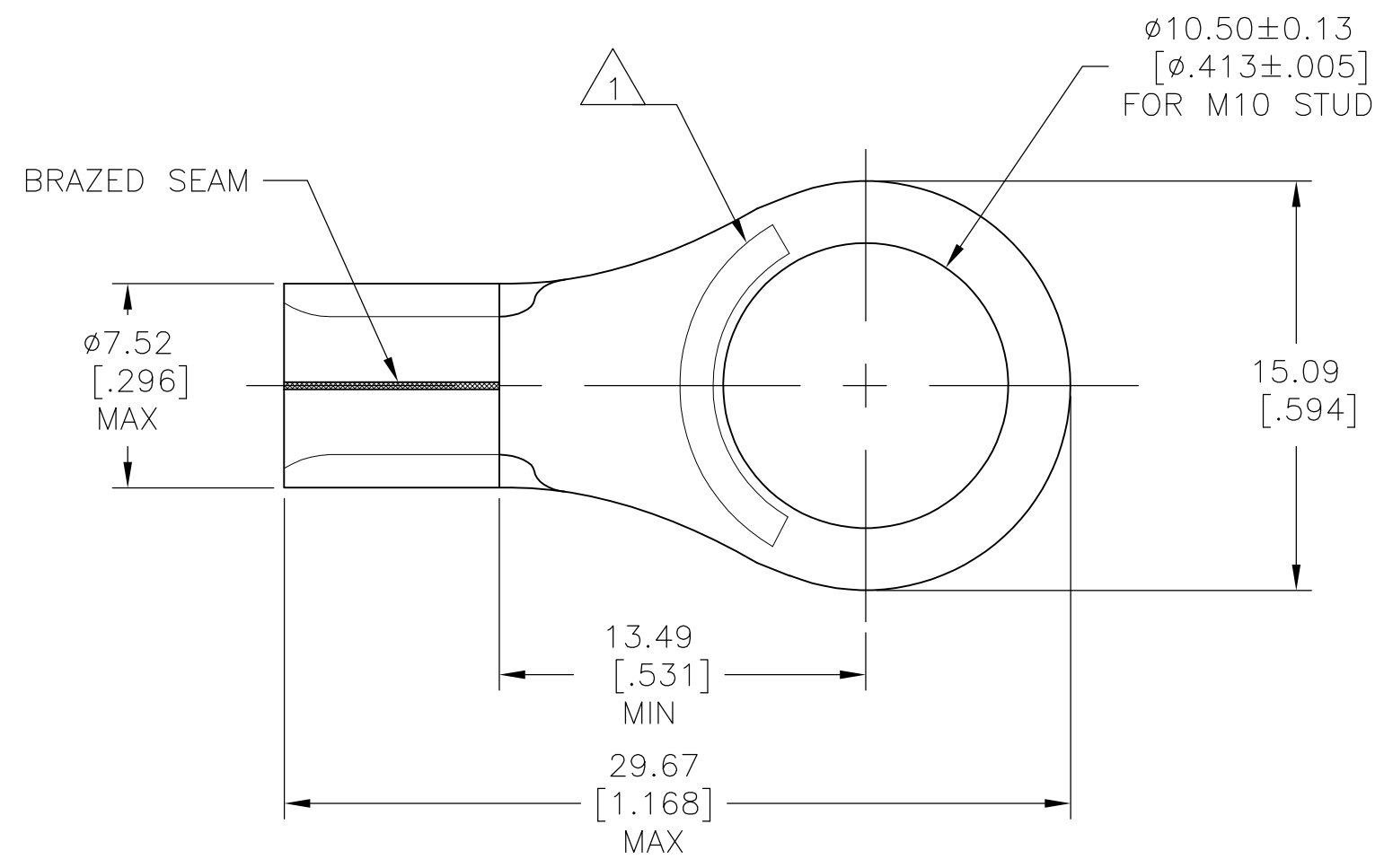


THIS DRAWING IS UNPUBLISHED. RELEASED FOR PUBLICATION  
 © COPYRIGHT BY TYCO ELECTRONICS CORPORATION. ALL INTERNATIONAL RIGHTS RESERVED.

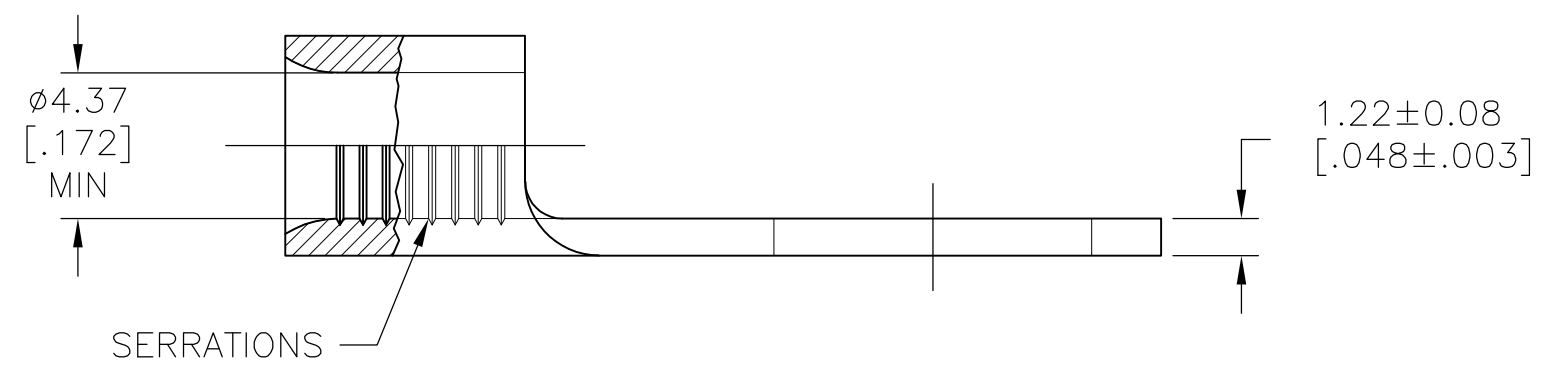
LOC	DIST	REVISIONS					
		P	LTR	DESCRIPTION	DATE	DWN	APVD
—	—		A1	REVISED PER ECO-10-021223	20OCT10	HMR	DR



**AMP**  
WIRE RANGE

8 AWG  
SOLID OR STRANDED

- 1 STAMP "AMP 8\*", APPROX AS SHOWN
- 2 MATERIAL: COPPER PER ASTM B-152 ANNEALED
- 3 FINISH: NICKEL PLATE 0.0003 [.0076] MIN EXT THK PER AMS QQ-N-290



500	LOOSE PIECE	134962-1
QTY	PACKAGE TYPE	PART NO.

<b>CUSTOMER SERVICE SYSTEMS</b>	
FOR ADDITIONAL PRODUCT INFORMATION OR COPIES OF DRAWINGS AND TECHNICAL DOCUMENTS	PRODUCT INFORMATION CENTER 1-800-522-6752
FOR APPLICATION TOOLING INFORMATION	TOOLING ASSISTANCE CENTER 1-800-722-1111
FOR ORDER ENTRY	1-800-526-5142

MAX RECOMMENDED OPERATING TEMPERATURE: 170°C MAX
VOLTAGE RATING: N/A
CIRCULAR MIL AREA: 6.64-10.5mm² [13,100-20,800] SOLID OR STRANDED

THIS DRAWING IS A CONTROLLED DOCUMENT.	
DIMENSIONS: mm [INCHES]	TOLERANCES UNLESS OTHERWISE SPECIFIED:
	0 PLC ± -
	1 PLC ± -
	2 PLC ± -
	3 PLC ± 0.20 [.008]
	4 PLC ± -
	ANGLES ± -
MATERIAL	FINISH
2	3

DWN RAGHAVENDRA 20OCT10	Tyco Electronics Corporation Harrisburg, PA 17105-3608
CHK ROHDE DANIEL 20OCT10	
APVD ROHDE DANIEL 20OCT10	
PRODUCT SPEC	
APPLICATION SPEC	NAME TERMINAL, RING TONGUE SOLISTRAND STRATOTHERM 8 AWG, M10
WEIGHT -	SIZE A3 CAGE CODE 00779 DRAWING NO C-134962 RESTRICTED TO -
CUSTOMER DRAWING	SCALE 4:1 SHEET 1 OF 1 REV A1