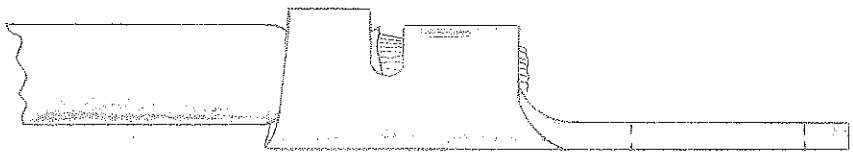
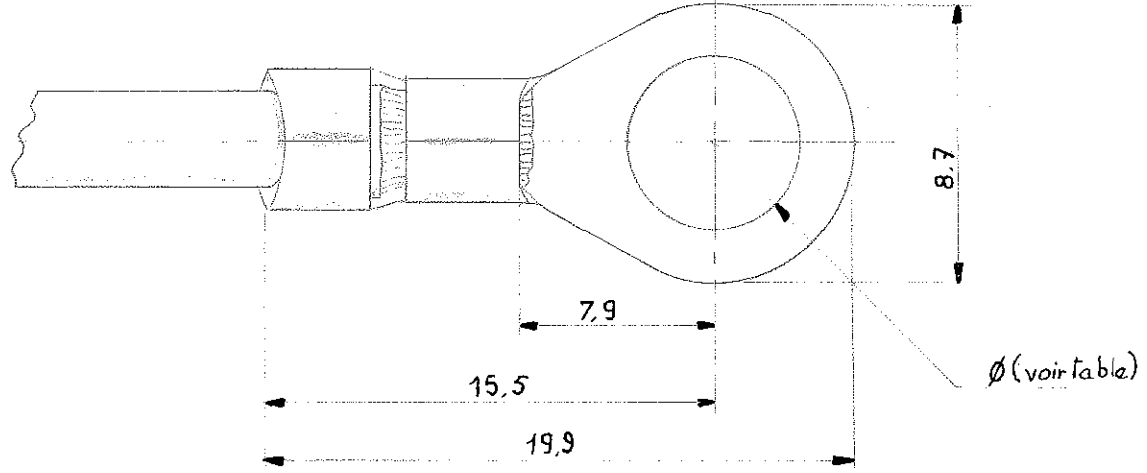


DIMENSIONS IN MM —DO NOT SCALE PRINT


NUMBER
C-140527-32



2,5 à 3,5

A - LAITON
A2 - LAITON ETAME

140854.2	A2	6,75
140854.1	A	6,75
140 546	A2	6,35
140 545	A	6,35
140 532	A2	5,2
140 531	A	5,2
140 530	A2	4,3
140 529	A	4,3
140 528	A2	3,1
140 527	A	3,1
N ^{os}	MAT	"D"

<p>CUSTOMER PRINT FOR REFERENCE ONLY</p> <p>©1959 BY AMP INCORPORATED. ALL RIGHTS RESERVED. AMP PRODUCTS COVERED BY PATENTS AND/OR PATENTS PENDING.</p>	-9 -8 -7 -6 -5 -4 -3 -2 -1	DWG SIZE	NUMBER	NAME	REMARKS	ITEM NO.					
	REQUIRED PER ASSEMBLY		MATERIAL	HEAT TREAT	FINISH						
			Laiton epaisseur 0,6mm								
			 AMP DE FRANCE	DR. Raymond DATE APP. 12-7-60 CHK. Couderc DATE APP. 12-7-60	DATE REL DATE FIRST USED		DATE DIFF. 16				
DESCRIPTION		SCALE	WIRE SIZE	mm ² MAX. 2 MIN. 0,8	NAME	TYPE	PRINT DIST	LOC	SIZE	NUMBER	REV
			18-14			Auto.			A	C-140527-32	B
RING TONGUE											