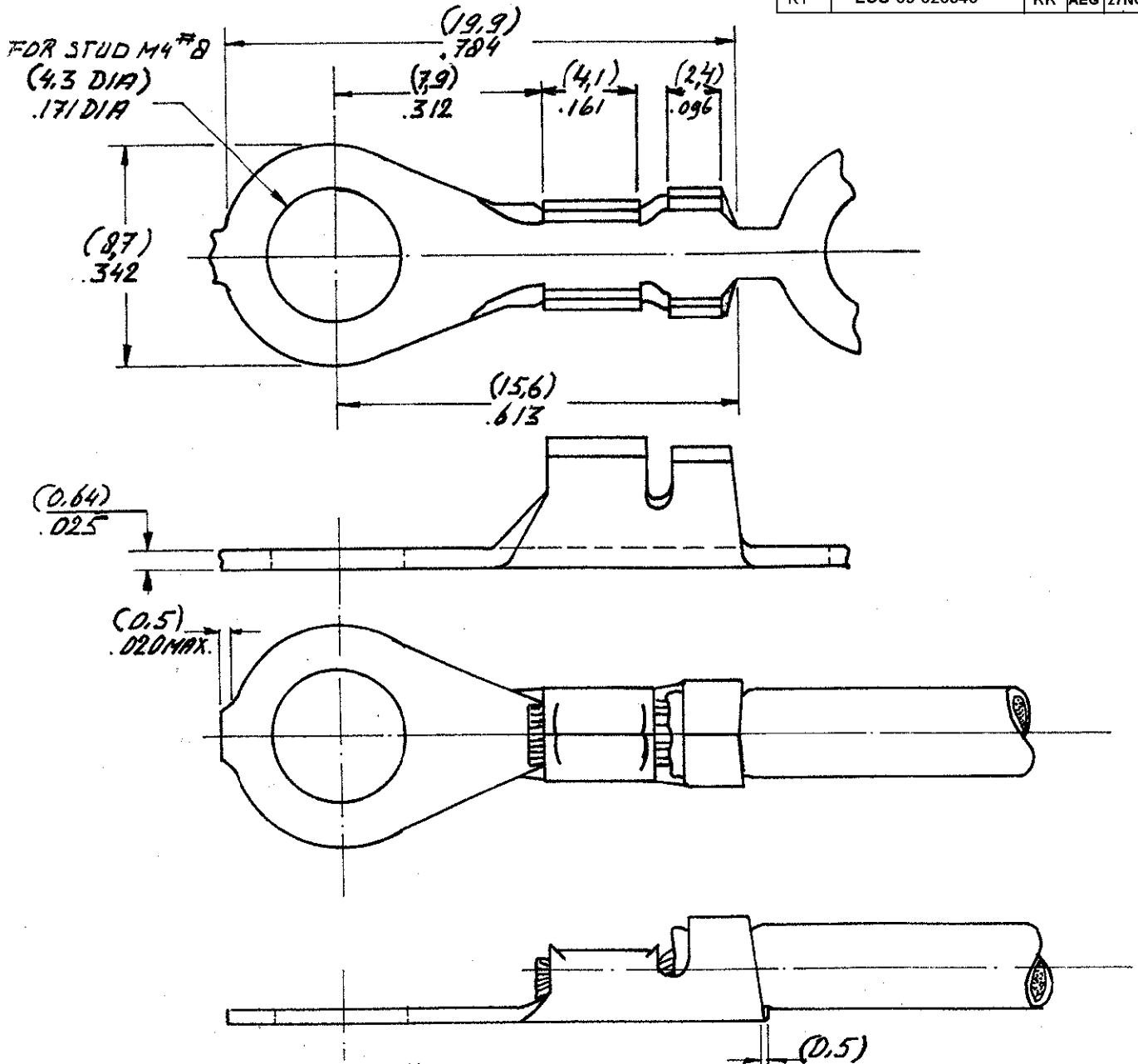


DRAWING MADE IN AMERICAN PROJECTION

LTR	REVISION RECORD	DWN	CHK	DATE
K1	ECO-09-026346	KK	AEG	27NOV09

C-160101



NOTES:

△ OBSOLETE PARTS: OBSOLETE CIS STREAMLINING PER D.RENAUD/D.SINISI

- 1 △ FOR USE ON MINIATURE APPLICATORS (LEFT-RIGHT FEED) AMP.D.I.ATOR APPLICATION
- 2 △ FOR USE ON STANDARD AND MINIATURE APPLICATORS.
- 3 △ REELED WITH PAPER COVER.

DIMENSIONS IN (MM) DO NOT SCALE PRINT

160101-9	△ 1	STEEL	△ 2	NICKELPLATED
160101-8	△ 2	PHOSPH. BRONZE	---	---
160101-7	△ 3	BRASS	---	---
160101-6	△ 4	STEEL	---	NICKELPLATED
160101-4	△ 1	BRASS	---	---
160101-3	△ 2	PHOSPH. BRONZE	---	---
160101-2	△ 1	BRASS	---	TIN PLATED
160101-1	△ 2	BRASS	---	---

CUSTOMER COPY FOR REFERENCE ONLY

©1980 BY AMP-HOLLAND N.V. ALL RIGHTS RESERVED A-MP PRODUCTS COVERED BY PATENTS AND/OR PATENTS PENDING.



AMP-HOLLAND B.V.
's-Hertogenbosch

WIRE-RANGE 20-16 AWG 0.5-1.5 mm 2	INSUL.-RANGE 080-120 DIA (20-30)	FIRST USED
---	--	------------

ORDER NO.	MATERIAL	PLATING
DR U. SUSTEREN	25/DATE DE	DATE
11.80		
CHK	29/DATE APP	DATE
	11.80	29.1.80

SCALE N.T.S.	SIZE A	NO C-160101	REV K1
NAME RING TONGUE WITH INS. SUPPORT			