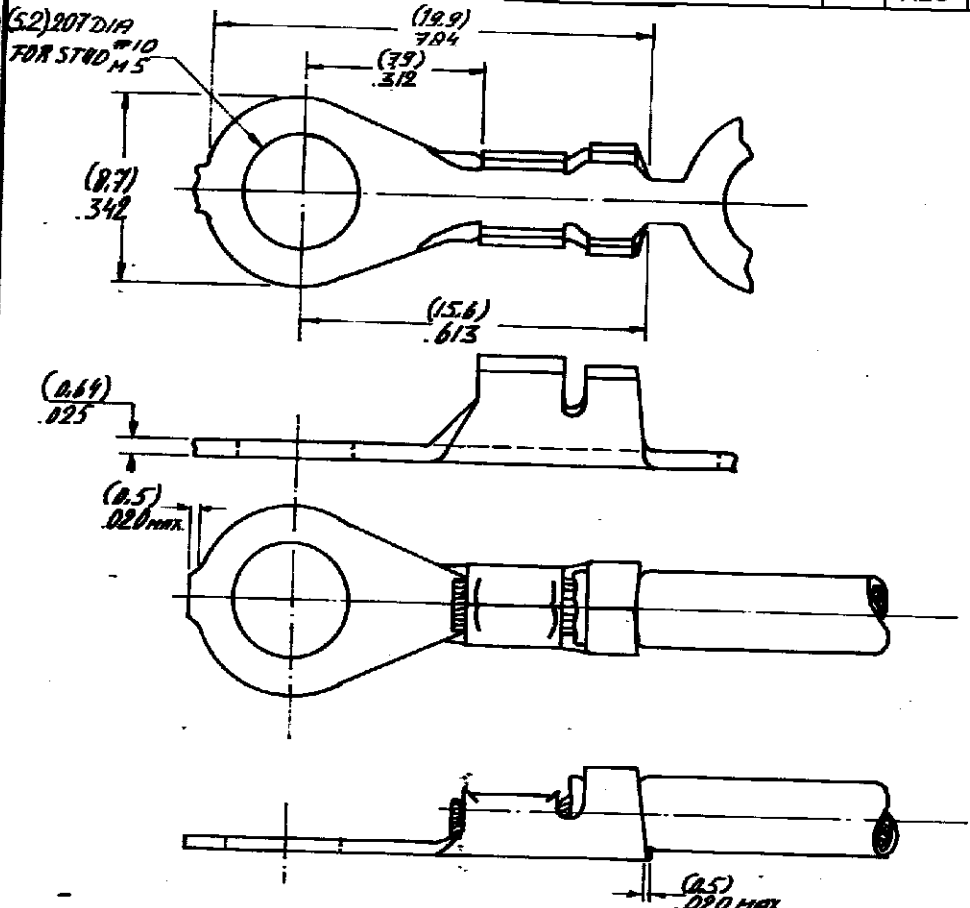


DRAWING MADE IN AMERICAN PROJECTION

LTR.	REVISION RECORD	DR.	CHK.	DATE
D1	ECO-09-026346	KK	AEG	25NOV09

PART NO. C.160102



NOTES:

- △ 4 OBSOLETE PARTS: OBSOLETE CIS STREAMLINING PER D.RENAUD/D.SINISI
- △ 1 FOR USE ON MINIATURE APPLICATORS (LEFT-RIGHT FEED) AMP. & MOTOR APPLICATION
- △ 2 FOR USE ON STANDARD AND MINIATURE APPLICATORS
- △ 3 REEFED WITH PAPER COVER
- △ 5 OBSOLETE

DIMENSIONS IN INCH DO NOT SCALE PRINT

160102-6	PHOSPH. BRONZE	-H	△ 2	△ 3
160102-5	BRASS	-H	△ 2	△ 3
160102-4	BRASS	-H	△ 1	△ 2
160102-3	PHOSPH. BR.	-H	△ 1	△ 2
160102-2	BRASS	TIN	△ 1	△ 2
160102-1	BRASS	-H	△ 1	△ 2

CUSTOMER COPY FOR REFERENCE ONLY

©1990 BY AMP-HOLLAND N.V. ALL RIGHTS RESERVED A-MP PRODUCTS COVERED BY PATENTS AND/OR PATENTS PENDING.

AMP
AMP - HOLLAND B.V.
's-Hertogenbosch

ORDER NO.	MATERIAL	PLATING	SCALE	SIZE	NO	FIRST USED
DATE	DATE	DATE	N.T.S.	A	C.160102	
BY	DATE	DATE	NAME			
V. SUSTEREN	4-80					

RINGTONGUE WITH INS. SUPPORT

REV D1