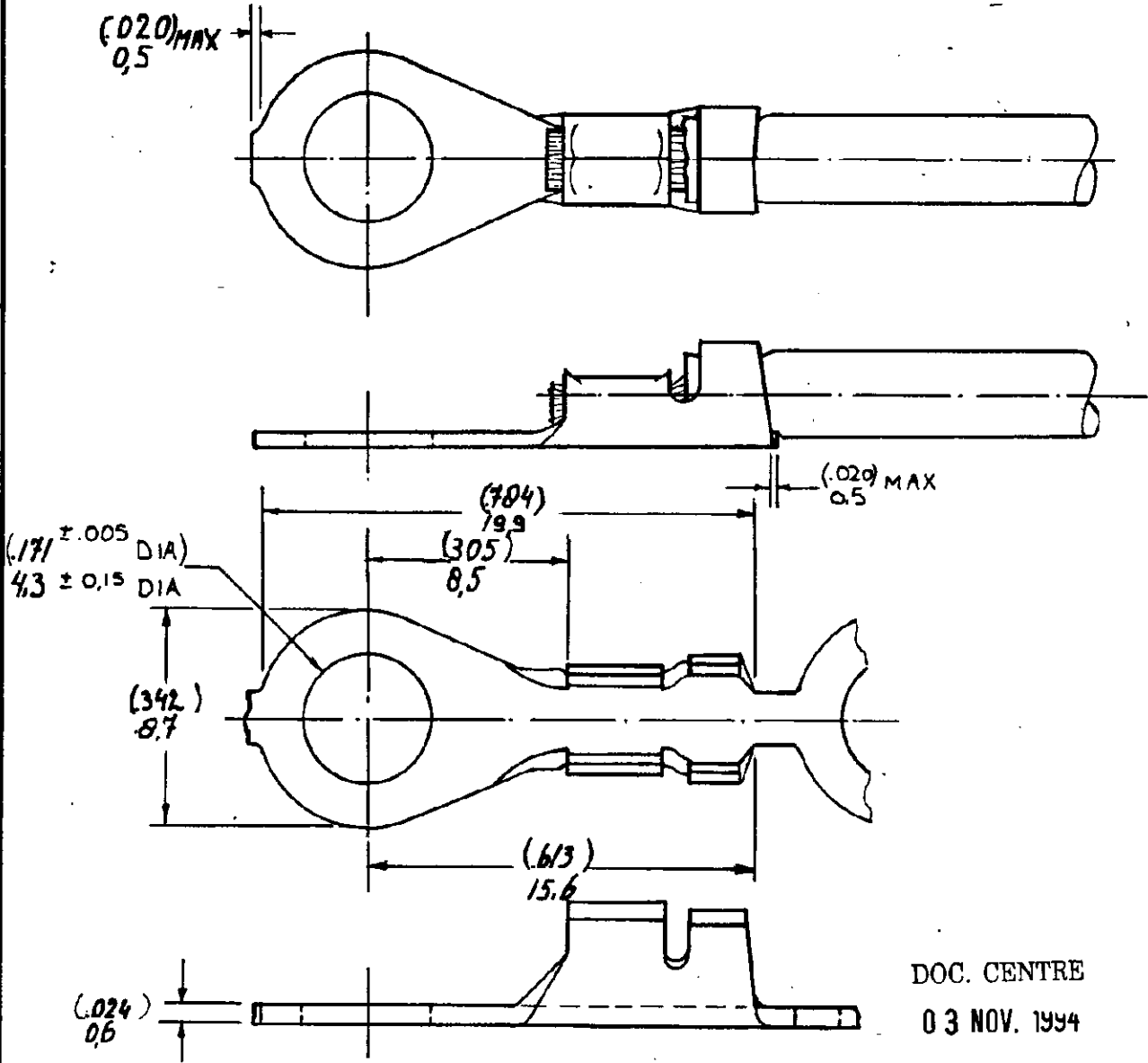


DRAWING MADE IN AMERICAN PROJECTION

NUMBER C-160787



DOC. CENTRE
03 NOV. 1994

▲ REELED WITH PAPER AND WITH PAPERCOVER

DIMENSIONS IN M.M. (INCHES) DO NOT SCALE PRINT

160787-2	BRASS	+	▲
160787-1	BRASS	+	
ORDER NO.	MATERIAL	PLATING	
DATE	DATE	DATE	DATE
DATE	DATE	DATE	DATE

CUSTOMER COPY FOR REFERENCE ONLY

©1979 BY AMP-HOLLAND N.V. ALL RIGHTS RESERVED A-MP PRODUCTS COVERED BY PATENTS AND/OR PATENTS PENDING.

AMP
AMP-HOLLAND N.V.
't-HERTOGENBOSCH
HOLLAND

WIRE RANGE 18 - 14 AWG 0,4 - 2,1 MM ²	INSUL. RANGE (.100 - .140) 2,54 - 3,56	FIRST USED
SCALE N.T.S.	LOC H	SIZE A
NO C-160787		REV C
NAME RINGTONGUE		