

NUMBER  
C-179540

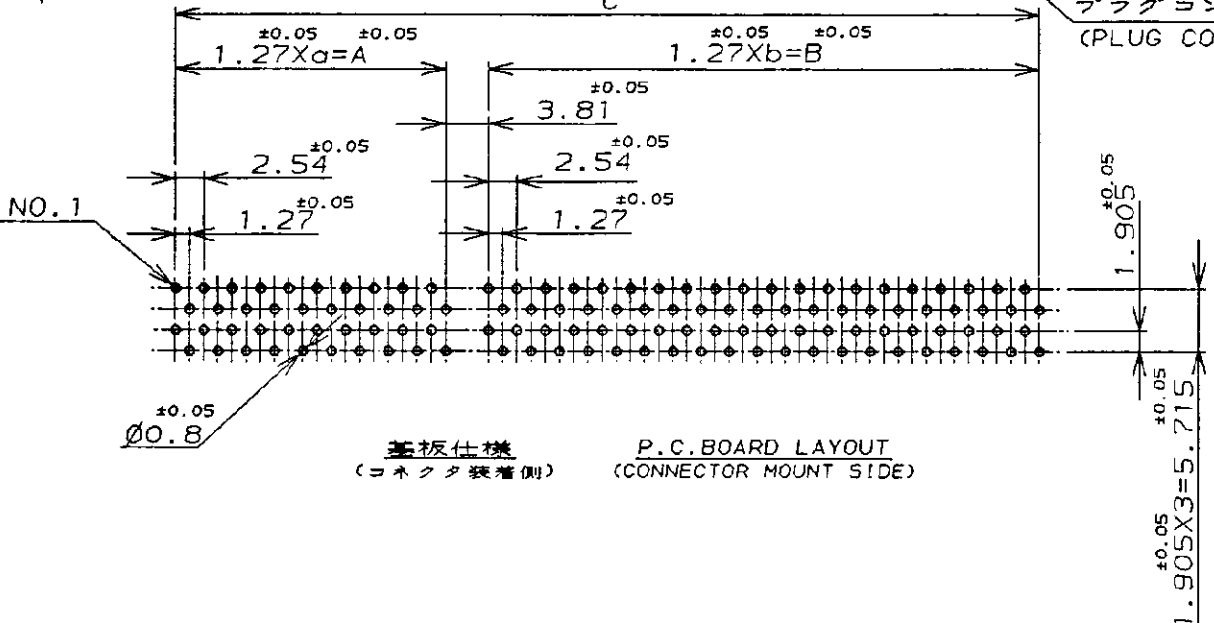
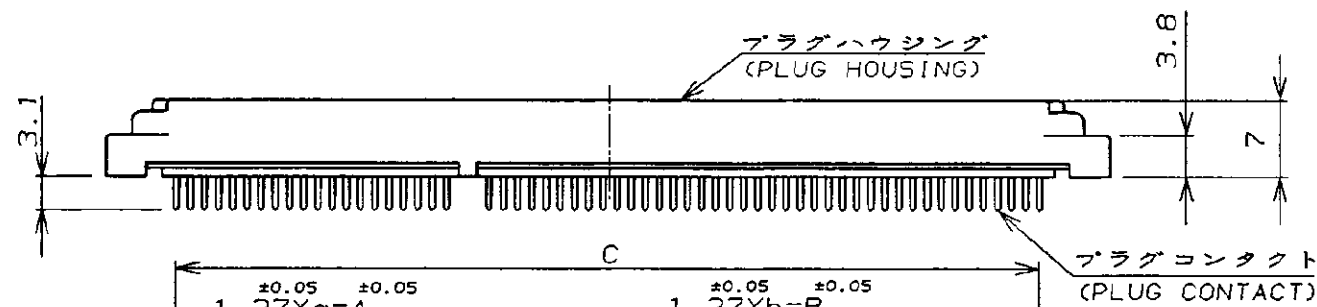
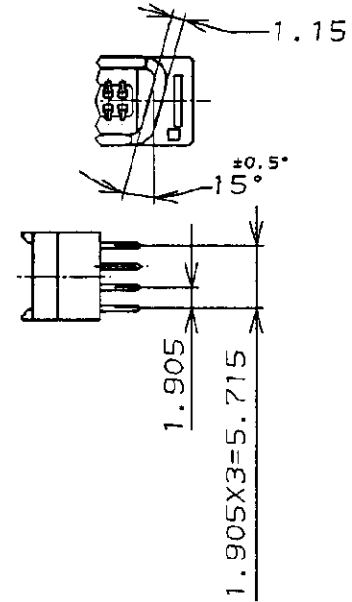
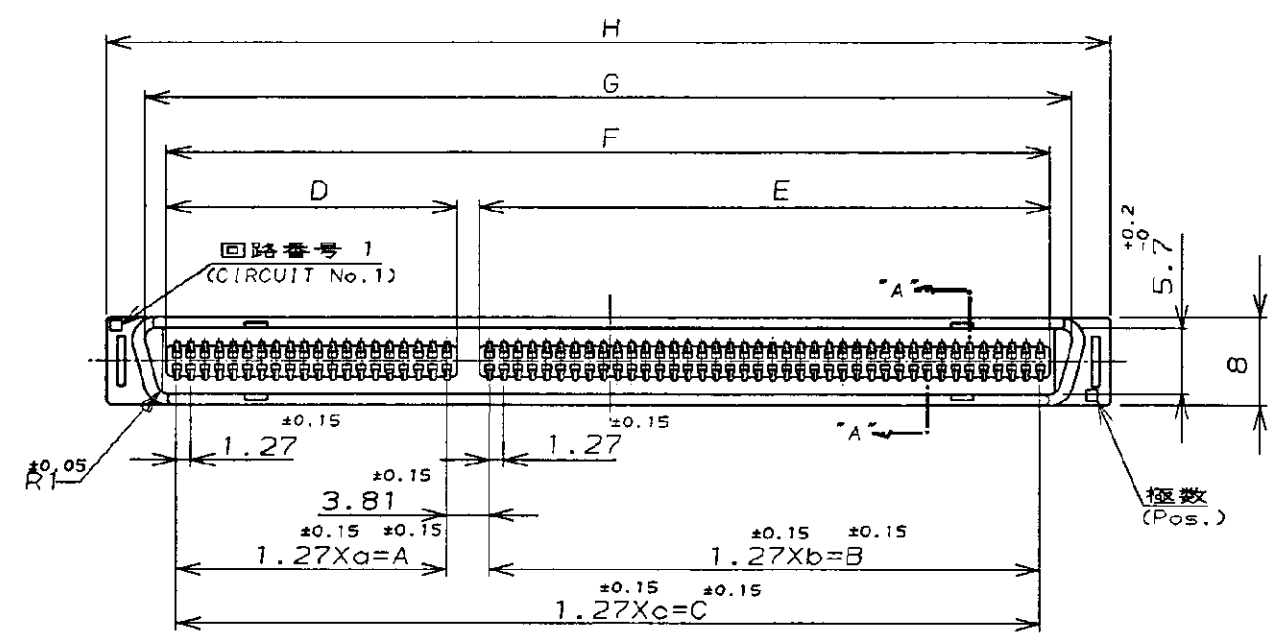
3-D ANGLE PROJECTION

METRIC

DIMENSIONS IN MILLIMETERS. DO NOT SCALE PRINT

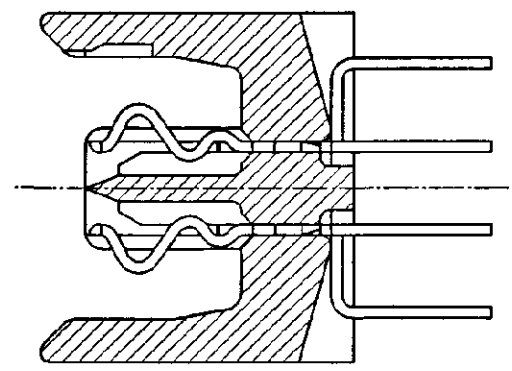
PRINT DIST

AMP-J  
REV. 10/83



注記 ;  
 △ 材料 : \*ハウジング : ガラス入り ナイロン 6T (UL 94V-0) 色、黒。  
 \*コンタクト : 燐青銅。  
 △ 表面仕上げ :  
 ニッケル下地めっきに接触部金めっき, 半田付部半田めっきを施す。金めっき厚は下表参照。

NOTE:  
 △ MATERIAL, HOUSING, GLASS FILLED NYLON 6T (UL 94V-0) BLACK.  
 CONTACT, PHOSPHOR-BRONZ.  
 △ FINISH: GOLD PLATING ON CONTACT AREA AND TIN-LEAD PLATING ON TINE AREA OVER NICKEL PLATING. GOLD PLATING THICKNESS SHOWN TABLE.  
 △ 3 OBSOLETE PARTS: OBSOLETE CIS STREAMLINING PER D.RENAUD/D.SINISI  
 △ 4 OBSOLETE



19	24.13	39	49.53	—	77.47	25.93	51.33	79.27	82.71	90.09	0.76μm	120	2-179540-5
—	—	—	—	49	62.23	—	—	64.03	67.47	74.85	0.76μm	100	2-179540-4
—	—	—	—	39	49.53	—	—	51.33	54.77	62.15	0.76μm	80	△ 2-179540-3
—	—	—	—	29	36.83	—	—	38.63	42.07	49.45	0.76μm	60	2-179540-2
—	—	—	—	19	24.13	—	—	25.93	29.37	36.75	0.76μm	40	△ 2-179540-1
19	24.13	39	49.53	—	77.47	25.93	51.33	79.27	82.71	90.09	0.3μm	120	179540-5
—	—	—	—	49	62.23	—	—	64.03	67.47	74.85	0.3μm	100	179540-4
—	—	—	—	39	49.53	—	—	51.33	54.77	62.15	0.3μm	80	179540-3
—	—	—	—	29	36.83	—	—	38.63	42.07	49.45	0.3μm	60	179540-2
—	—	—	—	19	24.13	—	—	25.93	29.37	36.75	0.3μm	40	179540-1
a	A	b	B	c	C	D	E	F	G	H	THK OF GOLD	Pos.	P/N

Copyright © 1994年 AMP (Japan), LTD. ALL RIGHTS RESERVED.				Copyright © 1994 AMP (Japan), LTD. ALL RIGHTS RESERVED.				<b>AMP</b>		AMP (JAPAN), LTD. Tokyo, Japan							
WIRE RANGE mm <sup>2</sup> (AWG)				INSULATION DIA mmφ				NAME AMP FH CONNECTOR PLUG (VERTICAL) (HIGH TEMP TYPE)									
B1	REVISED	ECO-10-000444	KK	AEG	09JAN	10	1991	MATERIAL △		FINISH △		GENERAL TOLERANCE		SIZE	LOC	NUMBER	
B	REVISED	FJ00-2347-95	S.T.	f.f.	1991	11	1991	DR. H.KODAMA		DE. H.KODAMA		0<≦10 : ±0.2 10<≦30 : ±0.25 30<≦100 : ±0.3 ANGLES : ±3°		B	J	C-179540	
A	REVISED	FJ00-1637-94	H.K.	Y.F.	24NOV	94	1994	CHK. Y.FUJITURA		APP. Y.FUJITURA		SCALE NOT SCALE		REV. B1	SHEET 1 OF 1		
O	RELEASED	FJ00-0674-94	H.K.	Y.F.	28MAY	94	1994	LTR REVISION RECORD		DR CHK DATE		NOT SCALE		REV. B1		SHEET 1 OF 1	

CUSTOMER DRAWING