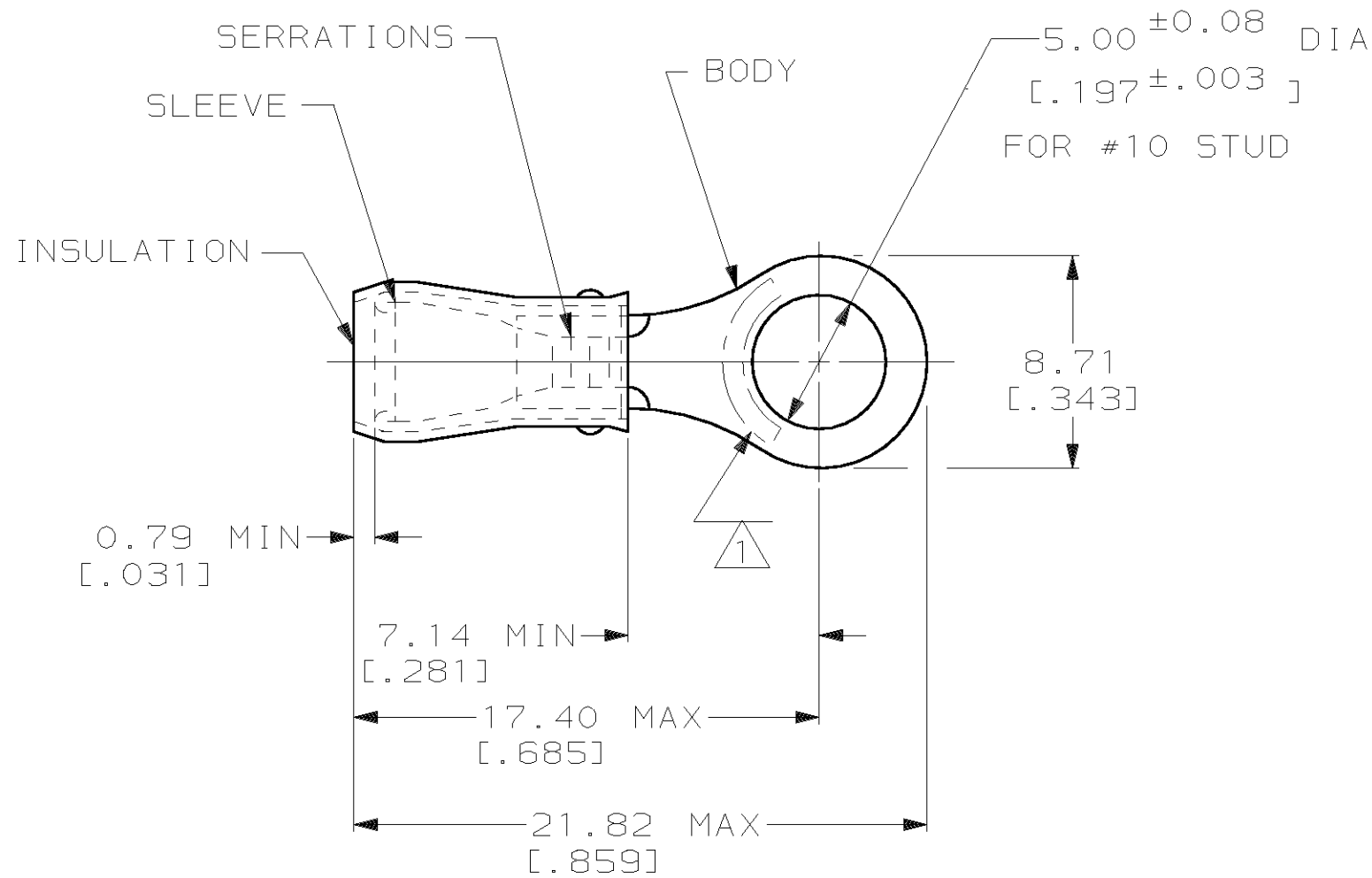


THIS DRAWING IS UNPUBLISHED. RELEASED FOR PUBLICATION, 19 .  
 © COPYRIGHT 19 BY AMP INCORPORATED. ALL INTERNATIONAL RIGHTS RESERVED.

LOC	DIST	P	F	REVISIONS			
ZONE	LTR	DESCRIPTION	DATE	APPD			
G	14			Y	REV PER 0G3A-0654-01	03DEC01	JR/TM

<b>AMP</b> WIRE RANGE	<b>UL</b> Listed	<b>SR</b> LR7189 Certified
16-14 AWG SOLID OR STRANDED	16-14 AWG SOLID OR STRANDED	16-14 AWG SOLID OR STRANDED



- 1 STAMPING MAY BE ON TOP OR BOTTOM.
- 2 WIRE INSULATION DIA: 2.92-4.32 [.115-.170].
- 3 TONGUE MATERIAL THK: 0.84 [.033] MAX.

<b>AMP INCORPORATED</b> <b>CUSTOMER SERVICE SYSTEMS</b>		MAX RECOMMENDED OPERATING TEMPERATURE: 105°C MAX	5000	ON TAPE	2-31903-2
FOR ADDITIONAL PRODUCT INFORMATION OR COPIES OF DRAWINGS AND TECHNICAL DOCUMENTS	PRODUCT INFORMATION CENTER 1-800-522-6752	VOLTAGE RATING: 300 V MAX	1000	LOOSE PIECE	31903
FOR APPLICATION TOOLING INFORMATION	TOOLING ASSISTANCE CENTER 1-800-722-1111	WIRE CROSS SECTIONAL AREA RANGE: 1.04-2.62mm <sup>2</sup> [2050-5180] CIR MILS SOLID OR STRANDED	QUANTITY	PACKAGE TYPE	PART NO
FOR ORDER ENTRY	1-800-526-5142	THIS DRAWING IS A CONTROLLED DOCUMENT FOR AMP INCORPORATED. IT IS SUBJECT TO CHANGE AND THE CONTROLLING ENGINEERING ORGANIZATION SHOULD BE CONTACTED FOR THE LATEST REVISION.	DO NOT SCALE PRINT. UNLESS SPECIFIED DIMENSIONS IN mm [INCHES] TOLERANCES ON: 2 PLC DEC ± 0.20[.008] 3 PLC DEC ± - ANGLES ± -	<b>AMP</b> AMP Incorporated Harrisburg, PA 17105-3608 NAME <b>TERMINAL, RING TONGUE, PIDG™, WIRE SIZE, 16-14 AWG</b>	
		MATERIAL COPPER PER ASTM B-152 SLEEVE, BLUE VINYL	DR 16JAN01 JR RUTH CHK 16JAN01 MS FEHER APPD 16JAN01 T MICHIELUTTI APPD 16JAN01 T MICHIELUTTI PRODUCT SPEC	SIZE <b>B</b>	CAGE CODE <b>00779</b>
		FINISH TIN PLATE PER ASTM B 545	APPLICATION SPEC NOT AVAILABLE	DRAWING NO <b>C-31903</b>	SCALE 4:1
			WEIGHT -	SHEET 1 OF 1	