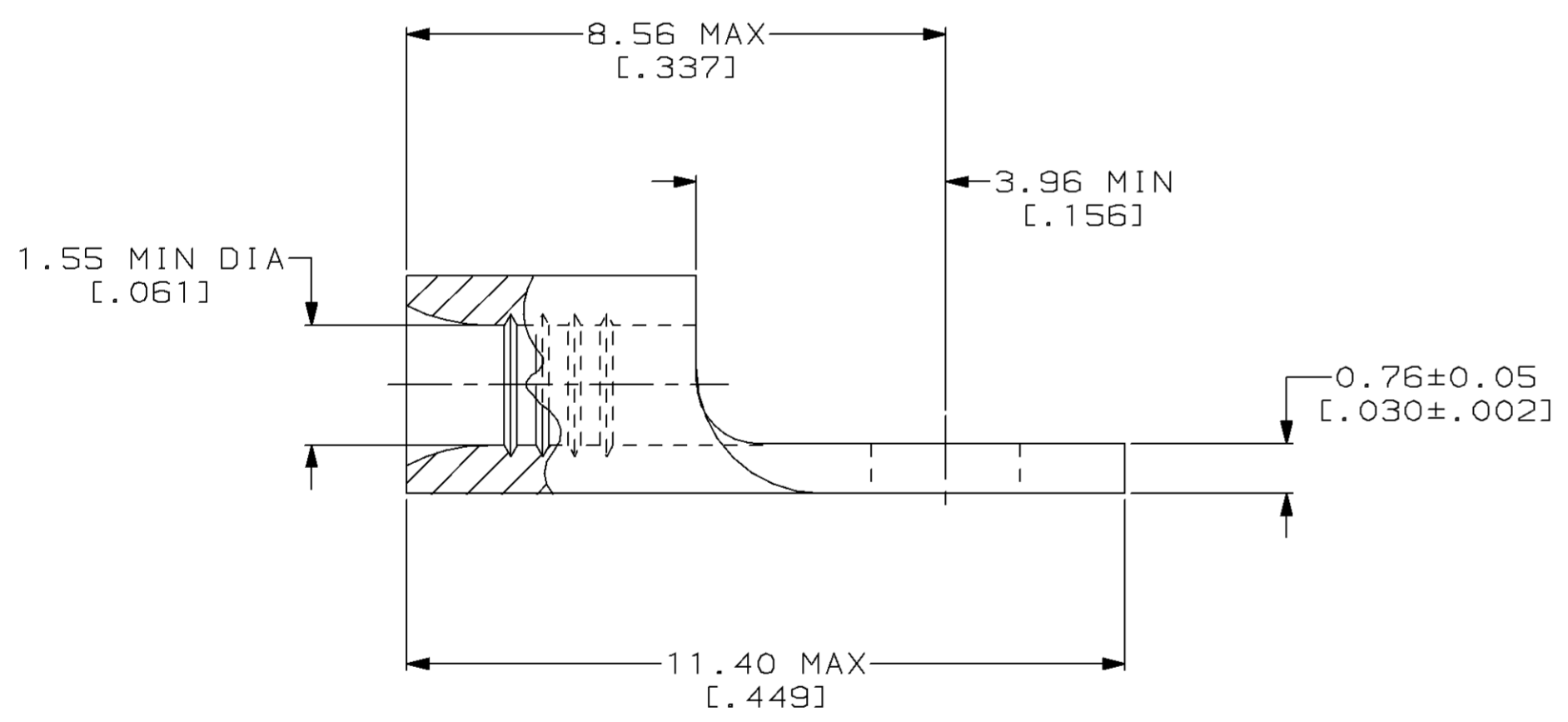
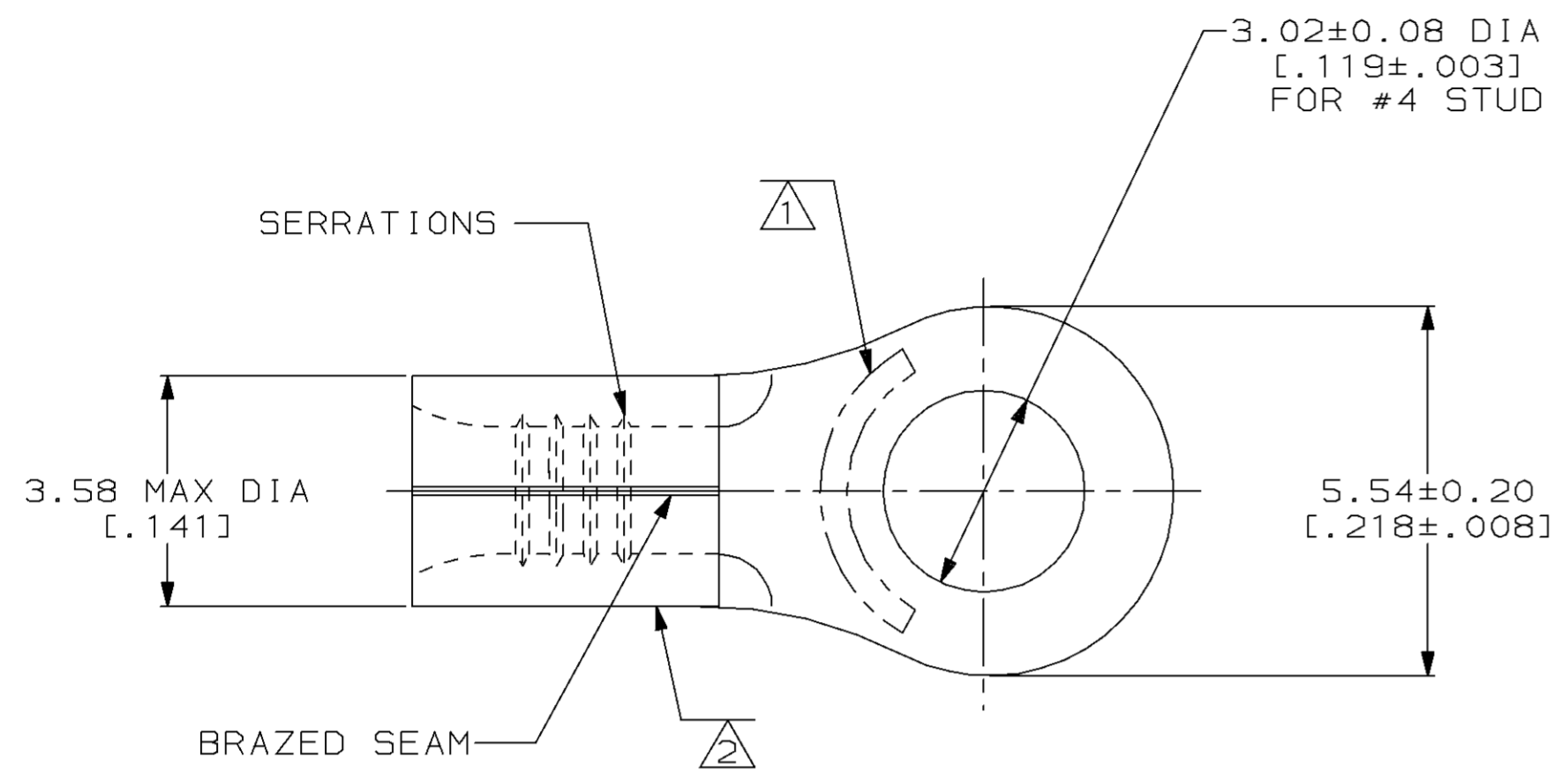


THIS DRAWING IS UNPUBLISHED. RELEASED FOR PUBLICATION, 19 .  
 © COPYRIGHT 19 BY AMP INCORPORATED. ALL INTERNATIONAL RIGHTS RESERVED.

LOC		DIST		REVISIONS				DATE	APPD
ZONE	LTR	DESCRIPTION	DATE	APPD					
G	14			D	REV & REDRAWN PER 0720-0061-93	4-15-93	APPD		

**METRIC**  
 DIMENSIONS LISTED IN mm [ INCHES ]



<b>AMP</b> WIRE RANGE	<b>UL</b> E13288 Listed
22-16 AWG SOLID OR STRANDED	NOT APPLICABLE
<b>SR</b> LR7189 Certified	MILITARY P/N AND CLASS
NOT APPLICABLE	NOT APPLICABLE

- ① STAMP AMP 22-18 APPROX AS SHOWN  
22-16 TERMINALS ARE STAMPED 22-18 IN ACCORDANCE WITH MILITARY SPECIFICATION MIL-T-7928; COMMERCIAL WIRE RANGE IS 22-16
- ② WIRE BARREL COLOR CODED ORANGE TO DENOTE NICKEL MATERIAL

5000	ON TAPE	2-321884-2
----	LOOSE PIECE	321884
QUANTITY	PACKAGE TYPE	PART NO

**AMP INCORPORATED**  
**CUSTOMER SERVICE SYSTEMS**

FOR ADDITIONAL PRODUCT INFORMATION OR COPIES OF DRAWINGS AND TECHNICAL DOCUMENTS	PRODUCT INFORMATION CENTER 1-800-522-6752
FOR APPLICATION TOOLING INFORMATION	TOOLING ASSISTANCE CENTER 1-800-722-1111
FOR ORDER ENTRY	1-800-526-5142

MAX RECOMMENDED OPERATING TEMPERATURE:  
 649°C MAX

VOLTAGE RATING:  
 NOT APPLICABLE

WIRE CROSS SECTIONAL AREA RANGE:  
 0.26-1.65mm<sup>2</sup> [509-3,260] CIR MILS  
 SOLID OR STRANDED

THIS DRAWING IS A CONTROLLED DOCUMENT FOR AMP INCORPORATED. IT IS SUBJECT TO CHANGE AND THE CONTROLLING ENGINEERING ORGANIZATION SHOULD BE CONTACTED FOR THE LATEST REVISION.

DO NOT SCALE PRINT. UNLESS SPECIFIED DIMENSIONS IN mm [INCHES]— TOLERANCES ON:

2 PLC DEC ± -  
 3 PLC DEC ± -  
 ANGLES ± -

MATERIAL  
 NICKEL PER ASTM B-162 ANNEALED

FINISH  
 -

DR 4-15-93  
 TA BRINKMAN

CHK 4-15-93  
 DA PATTERSON

APPD 4-15-93  
 DE MILLER

APPD 4-15-93  
 JL MECKLEY

PRODUCT SPEC  
 -

APPLICATION SPEC  
 -

WEIGHT  
 -

**AMP** AMP Incorporated  
 Harrisburg, PA 17105-3608

NAME  
 TERMINAL, RING TONGUE,  
 HIGH TEMPERATURE,  
 STRATO-THERM™

SIZE  
 © 00779

CAGE CODE  
 ©=321884

DRAWING NO  
 ©=321884

SCALE 10:1

SHEET 1 OF 1