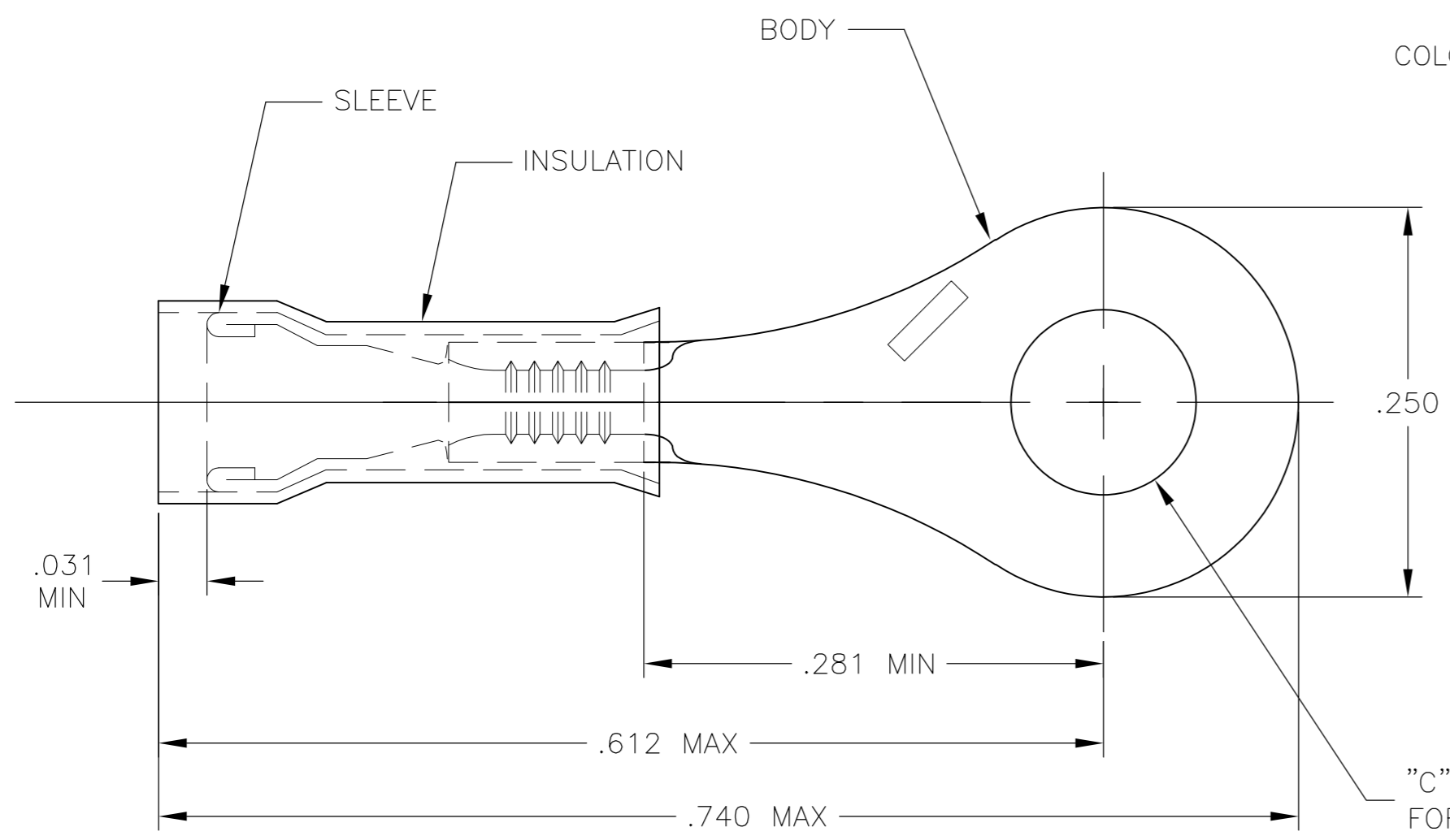


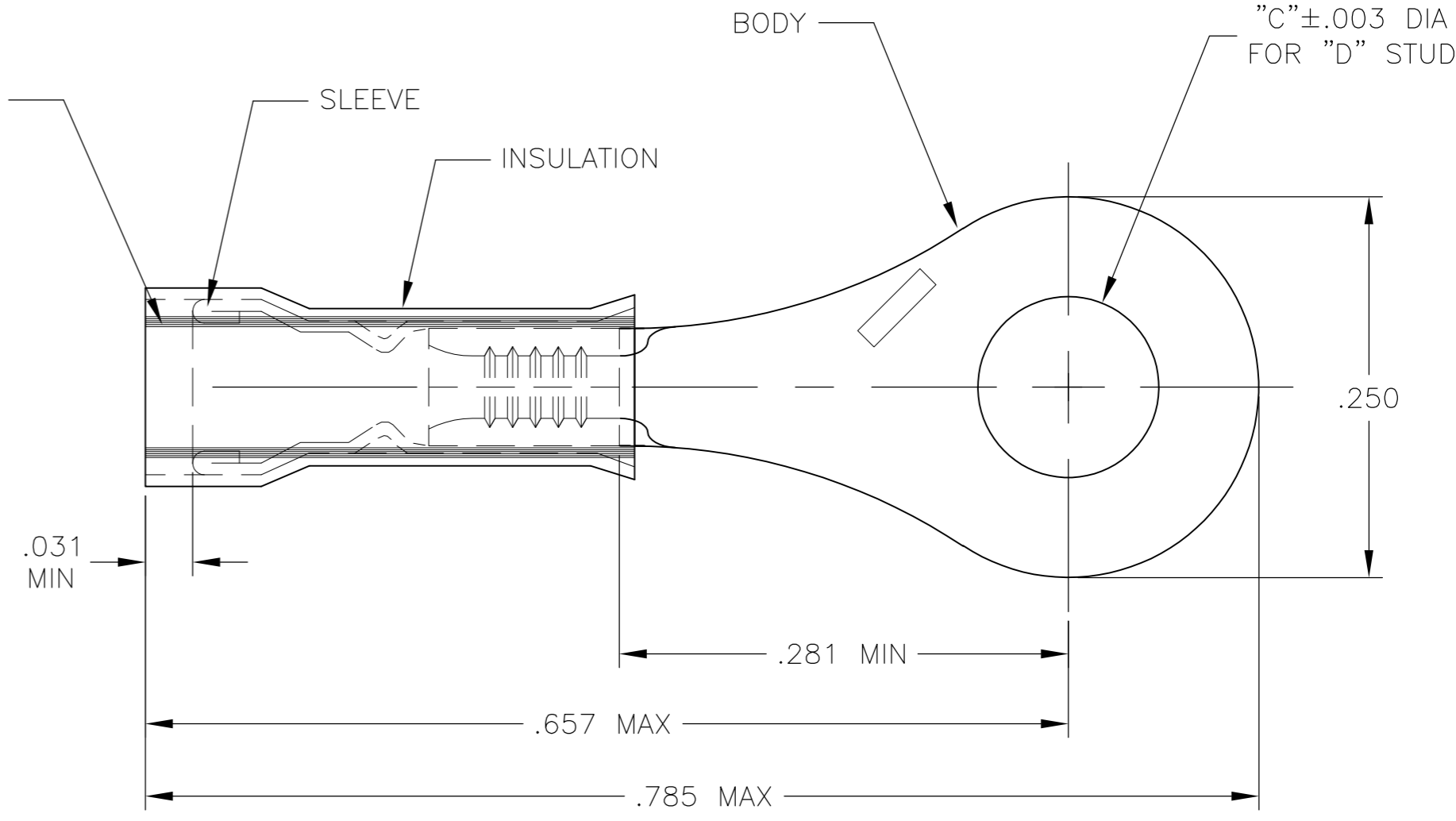
THIS DRAWING IS UNPUBLISHED. RELEASED FOR PUBLICATION  
 © COPYRIGHT BY TYCO ELECTRONICS CORPORATION. ALL INTERNATIONAL RIGHTS RESERVED.

LOC	DIST	REVISIONS					
G	14	P	LTR	DESCRIPTION	DATE	DWN	APVD
		W1		REVISED PER ECR-10-000950	14JAN10	JR	TM



STYLE 1

COLOR CODE STRIPE  
 SEE TABLE  
 3 EQUALLY  
 SPACED STRIPES



STYLE 2  
INSULATION RESTRICTING

- 1 STAMP "AMP", APPROX AS SHOWN
- 2 WIRE INSULATION DIA: SEE TABLE
- 3 TONGUE MATERIAL THK: .018±.002
- 4 BODY & SLEEVE: CU PER ASTM B152  
INSULATION: NYLON PER ASTM D4066, COLOR - YELLOW
- 5 BODY: TIN PLATE .000100 MIN EXT THK  
PER ASTM B545
- 6 SLEEVE: TIN PLATE .000100 MIN THK PER  
ASTM B545
- 7 SLEEVE: NICKEL PLATE PER QQ-N-290
- 8 APPLIES FROM EDGE OF METAL WIRE BARREL  
TO CENTER OF STUD HOLE.
- 9 MEETS MS25036-145, CLASS 2
- 10 300 VOLTS MAX

	100	LOOSE PIECE, BOX	#6	.145	.050-.082	26-22	--	A				8-326875-1
OBSOLETE	100	LOOSE PIECE, SM. BOX	#6	.145	.050-.082	26-22	--	A		6		3-326875-0
OBSOLETE	1000	LOOSE PIECE, LG. BOX	#6	.145	.050-.082	26-22	--	A				2-326875-9
OBSOLETE	5000	2-326875-4 ON TAPE, REEL	#6	.145	.031-.055	24	BLUE	B				2-326875-8
OBSOLETE	5000	2-326875-3 ON TAPE, REEL	#10	.197	.026-.055	26	BLACK	B				2-326875-7
OBSOLETE	5000	2-326875-2 ON TAPE, REEL	#6	.145	.026-.055	26	BLACK	B				2-326875-6
	500	LOOSE PIECE	#10	.197	.031-.055	24	BLUE	B	5	7	4	2-326875-5
	500	LOOSE PIECE	#6	.145	.031-.055	24	BLUE	B				2-326875-4
OBSOLETE	500	LOOSE PIECE	#10	.197	.026-.055	26	BLACK	B				2-326875-3
OBSOLETE	500	LOOSE PIECE	#6	.145	.026-.055	26	BLACK	B				2-326875-2
	4000	326875-1 ON TAPE, REEL	#6	.145	.050-.082	26-22	--	A				2-326875-1
	500	LOOSE PIECE	#6	.145	.050-.082	26-22	--	A		6		326875
	QTY	PACKAGE TYPE	STUD SIZE "D"	DIM "C"	WIRE INSUL. DIA	WIRE SIZE	COLOR CODE	STYLE	BODY FINISH	SLEEVE FINISH	MATERIAL	PART NO

THIS DRAWING IS A CONTROLLED DOCUMENT.

DIMENSIONS: INCHES	TOLERANCES UNLESS OTHERWISE SPECIFIED:	DWN: JR RUTH 14JAN10	Tyco Electronics Corporation Harrisburg, PA 17105-3608
	0 PLC ± -	CHK: TOM MICHIELUTTI 14JAN10	
	1 PLC ± -	APVD: MIKE PERCHERKE 14JAN10	
	2 PLC ± -	NAME: TERMINAL, NYLON - PIDG - RING TONGUE	
	3 PLC ± .008	PRODUCT SPEC	WIRE SIZE: 26-22
	4 PLC ± -	APPLICATION SPEC	SIZE: A2
	ANGLES ± 5°	WEIGHT: -	CAGE CODE: 00779
MATERIAL: SEE TABLE	FINISH: SEE TABLE	CUSTOMER DRAWING	DRAWING NO: C-326875
		SCALE: 10:1	SHEET: 1 of 1
			REV: W1