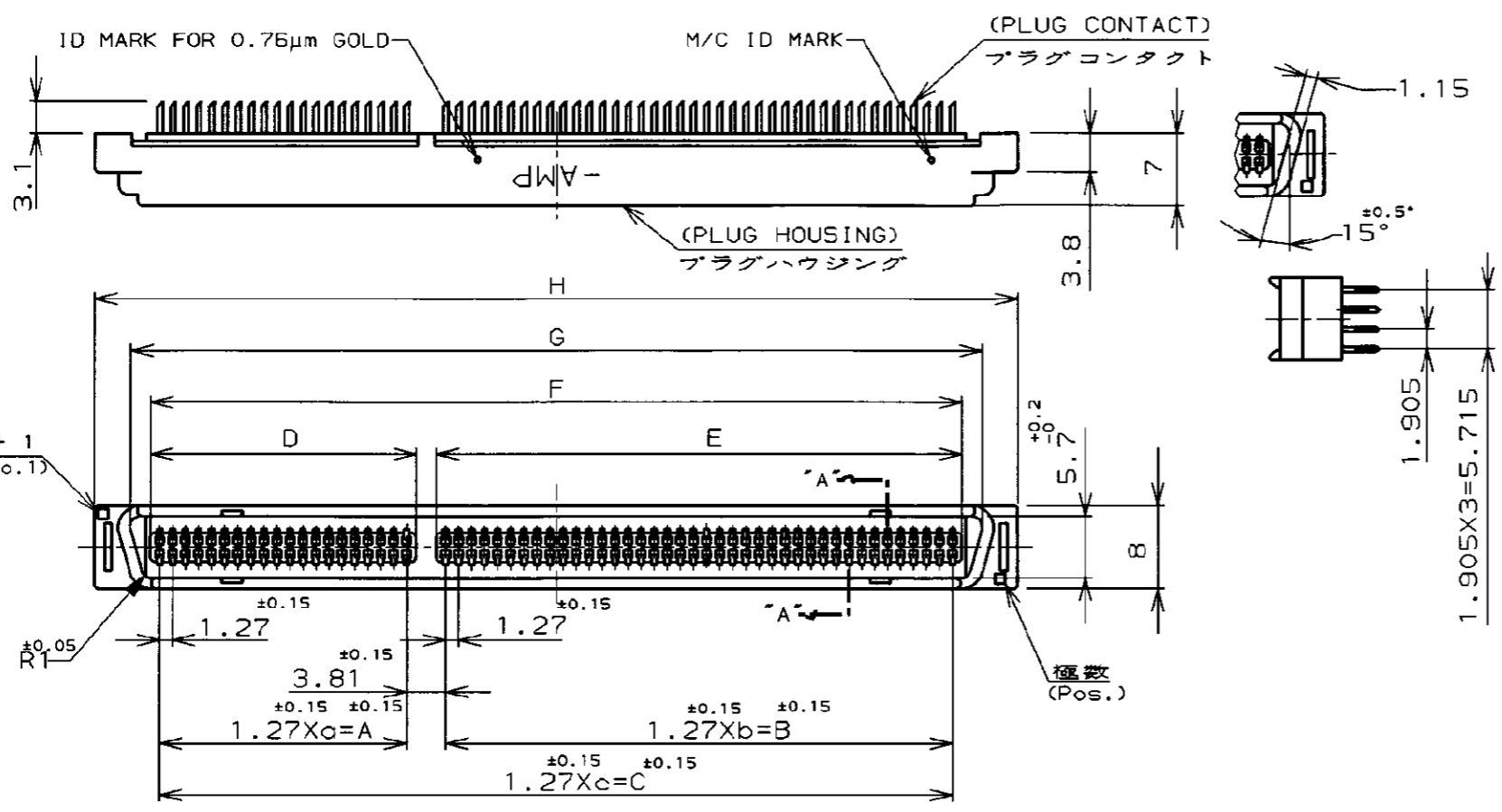


NUMBER C-5917631
 METRIC
 3rd ANGLE PROJECTION

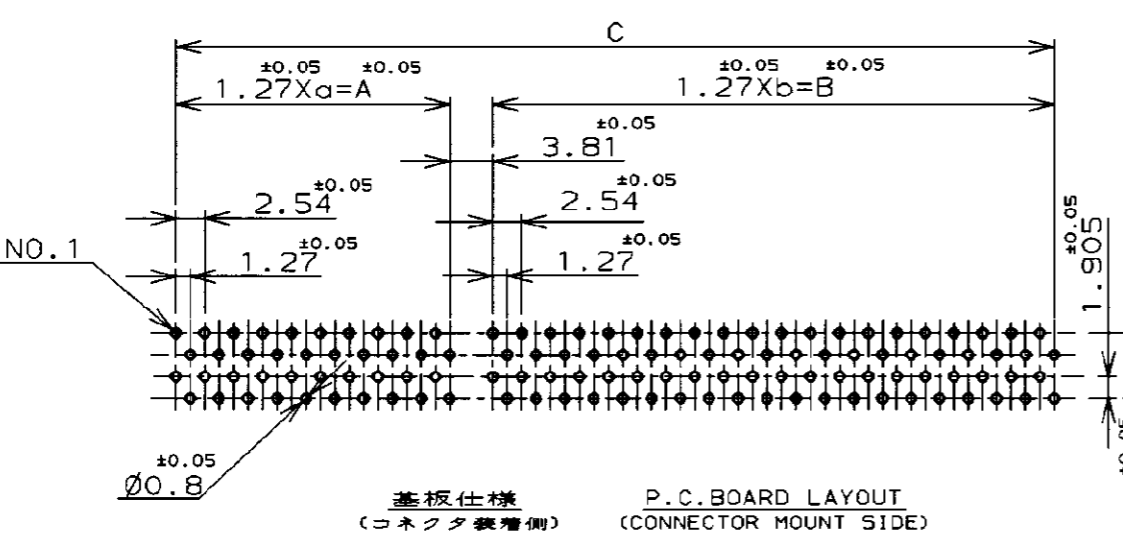
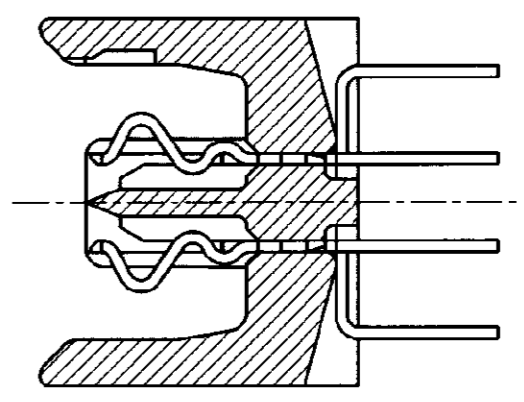


NOTE:

① MATERIAL: HOUSING; THERMOPLASTICS (UL 94V-0) BLACK
CONTACT: COPPER ALLOY

② FINISH: CONTACT: Au AT CONTACT AREA
TIN AT TINE, OVER Ni

3. THESE PRODUCTS WERE COATED BY ANTI-FLUX MIGRATION AGENT.



29	36.83	49	62.23	—	102.87	38.63	64.03	104.67	108.11	115.49	0.76μm	160	2-	↑	-7
19	24.13	39	49.53	—	77.47	25.93	51.33	79.27	82.71	90.09	0.76μm	120	2-		-5
—	—	—	—	49	62.23	—	—	64.03	67.47	74.85	0.76μm	100	2-		-4
—	—	—	—	39	49.53	—	—	51.33	54.77	62.15	0.76μm	80	2-		-3
39	49.53	49	62.23	—	115.57	51.33	64.03	117.37	120.81	128.19	0.3μm	180			-8
29	36.83	49	62.23	—	102.87	38.63	64.03	104.67	108.11	115.49	0.3μm	160			-7
29	36.83	39	49.53	—	90.17	38.63	51.33	91.97	95.41	102.79	0.3μm	140			-6
19	24.13	39	49.53	—	77.47	25.93	51.33	79.27	82.71	90.09	0.3μm	120			-5
—	—	—	—	49	62.23	—	—	64.03	67.47	74.85	0.3μm	100			-4
—	—	—	—	39	49.53	—	—	51.33	54.77	62.15	0.3μm	80			-3
—	—	—	—	29	36.83	—	—	38.63	42.07	49.45	0.3μm	60			-2
—	—	—	—	19	24.13	—	—	25.93	29.37	36.75	0.3μm	40			
a	A	b	B	c	C	D	E	F	G	H	GOLD PLATING	Pos.		P/N	5917631-1

注記:

① 材料:ハウジング;熱可塑性樹脂 (UL 94V-0) 色:黒
コンタクト:銅合金

鉛フリー
LEAD FREE

② 表面仕上げ;
コンタクト:全面ニッケル下地めっき
接触部金めっき、脚部すずめっき

3. 本製品はフラックス上がり防止処理済み

O	RELEASED (FJBO-0582-04)	09JUN04	T.K	I.E
LTR	DESCRIPTION	DATE	DWN	APVD

WIRE RANGE		INSULATION DIA		NAME	
mm ² (AWG -)		- mmφ		AMP FH CONNECTOR PLUG (VERTICAL)	
MATERIAL		FINISH		GENERAL TOLERANCE	
①		②		0<≦10 : ±0.2 10<≦30 : ±0.25 30<≦100 : ±0.3 ANGLES : ±3°	
DE. T.KAWAMAE		APP. IENOMOTO		SIZE B	LOC J
CHK. IENOMOTO		APP. IENOMOTO		SCALE NTS	REV. O
				NUMBER C-5917631	SHEET 1 OF 1

DIMENSIONS IN MILLIMETERS. DO NOT SCALE PRINT

PRINT DIST

AMP-J
REV. 10/83

CUSTOMER DRAWING