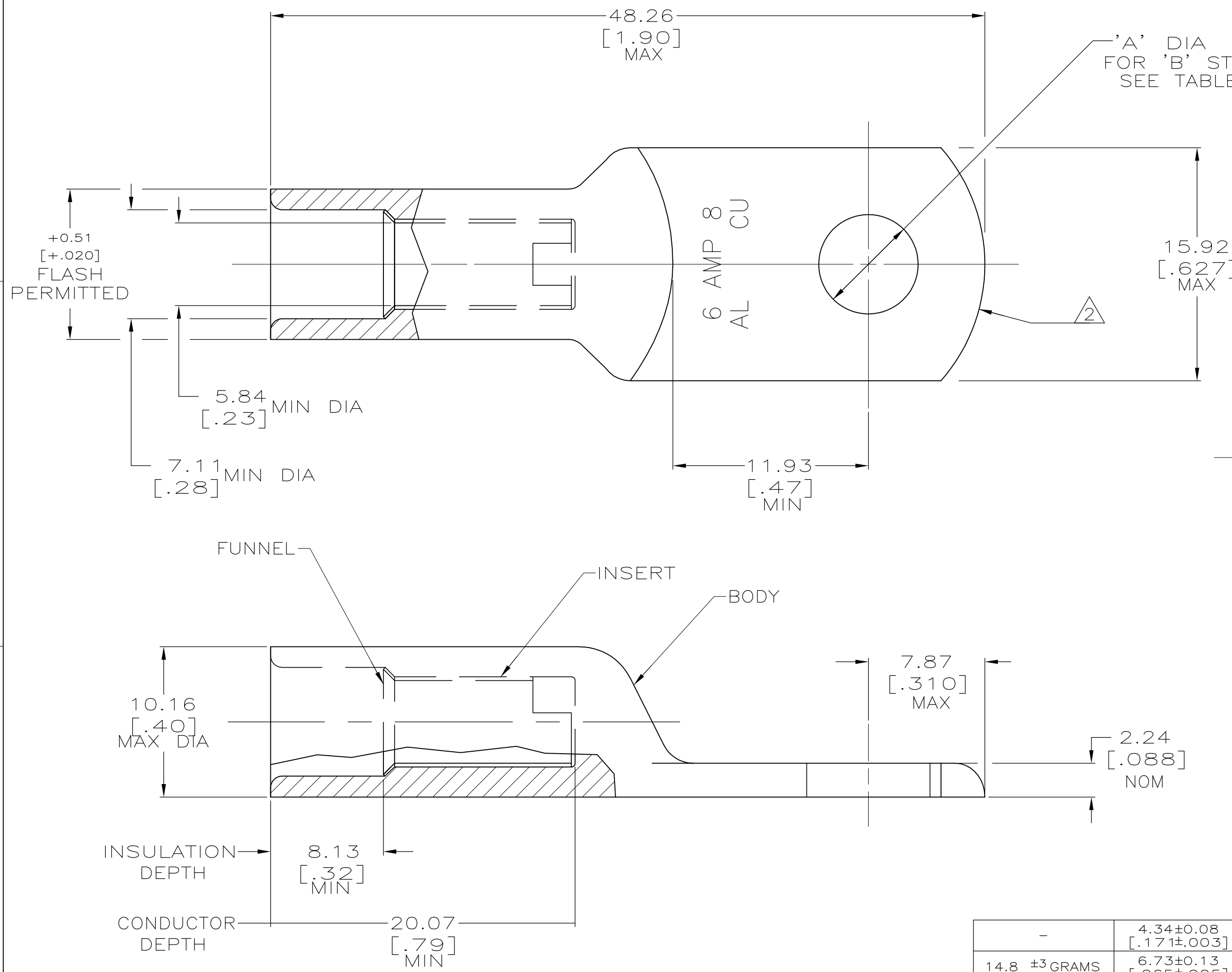
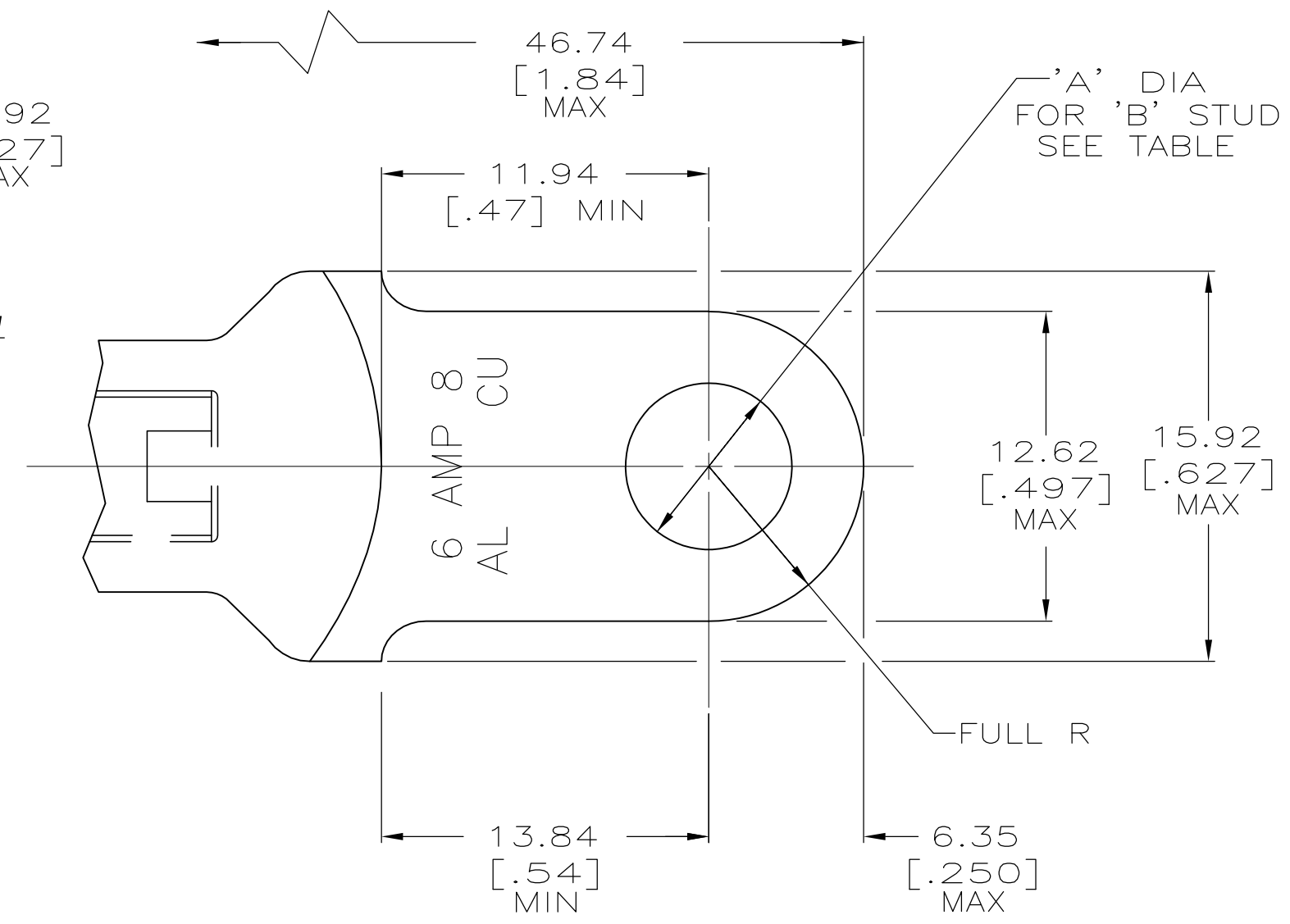


THIS DRAWING IS UNPUBLISHED. RELEASED FOR PUBLICATION
 © COPYRIGHT BY TYCO ELECTRONICS CORPORATION. ALL RIGHTS RESERVED.

| LOC | | DIST | | REVISIONS | | | |
|-----|-----|-------------|-----------------------|-----------|------|----|--|
| P | LTR | DESCRIPTION | DATE | DWN | APVD | | |
| G | 86 | M | REV PER ECR 08-005023 | 27FEB08 | JR | MS | |



1 WIRE INSULATION: 5.72[.225] - 6.35[.250] DIA
 2 THE TONGUE RADIUS FEATURE IS NOT A TOOLING CONTROLLED DIMENSION AND MAY NOT BE A TRUE RADIUS.



FOR 277148-6, -7, & -8 ONLY

| WEIGHT | 'A' | 'B' | MATERIAL & FINISH | PART NO. |
|------------------------|--------------------------|------|--|---------------------|
| - | 4.34±0.08 [.171±.003] | #8 | BODY: COPPER ASTM-B187 ANNEALED TIN PL MIL-T-10727 0.00457[.000150] MIN THK INSERT & FUNNEL: BRASS ASTM B36 NICKEL PL SAE AMS QQ-N-290A, DATED JULY 2000, 0.00254 [.000100] MIN THK | 277148-8 |
| 14.8 ±3 GRAMS | 6.73±0.13 [.265±.005] | 1/4 | | 277148-7 |
| 15.2 ±3 GRAMS | 5.00±0.08 [.197±.003] | #10 | | 277148-6 |
| OBSOLETE 17.0 ±3 GRAMS | 4.34±0.08 [.171±.003] | #8 | | 277148-5 |
| 15.3 ±3 GRAMS | 9.91±0.13 [.390±.005] | 3/8 | | 277148-4 |
| 16.2 ±3 GRAMS | 8.33±0.13 [.328±.005] | 5/16 | | 277148-3 |
| - | 6.73±0.13 [.265±.005] | 1/4 | | 277148-2 |
| 16.8 ±3 GRAMS | 5.00±0.08 [.197±.003] | #10 | | 277148-1 |

THIS DRAWING IS A CONTROLLED DOCUMENT.

| | | |
|------|------------|----------|
| DWN | DK SCHRUM | 6/23/89 |
| CHK | MS FEHER | 10/16/90 |
| APVD | AJ KAUFMAN | 10/23/90 |

NAME: AJ KAUFMAN

PRODUCT SPEC: 108-11011

APPLICATION SPEC: 114-2134

WEIGHT: SEE TABLE

CUSTOMER DRAWING

SCALE: 4:1

SHEET: 1 of 1

REV: M

Tyco Electronics Corporation
 Harrisburg, PA 17105-3608

WIRE TERMINAL, RING TONGUE, SEALED COPALUM
 14.6mm² [6] ALUMINUM
 8.8mm² [8] COPPER