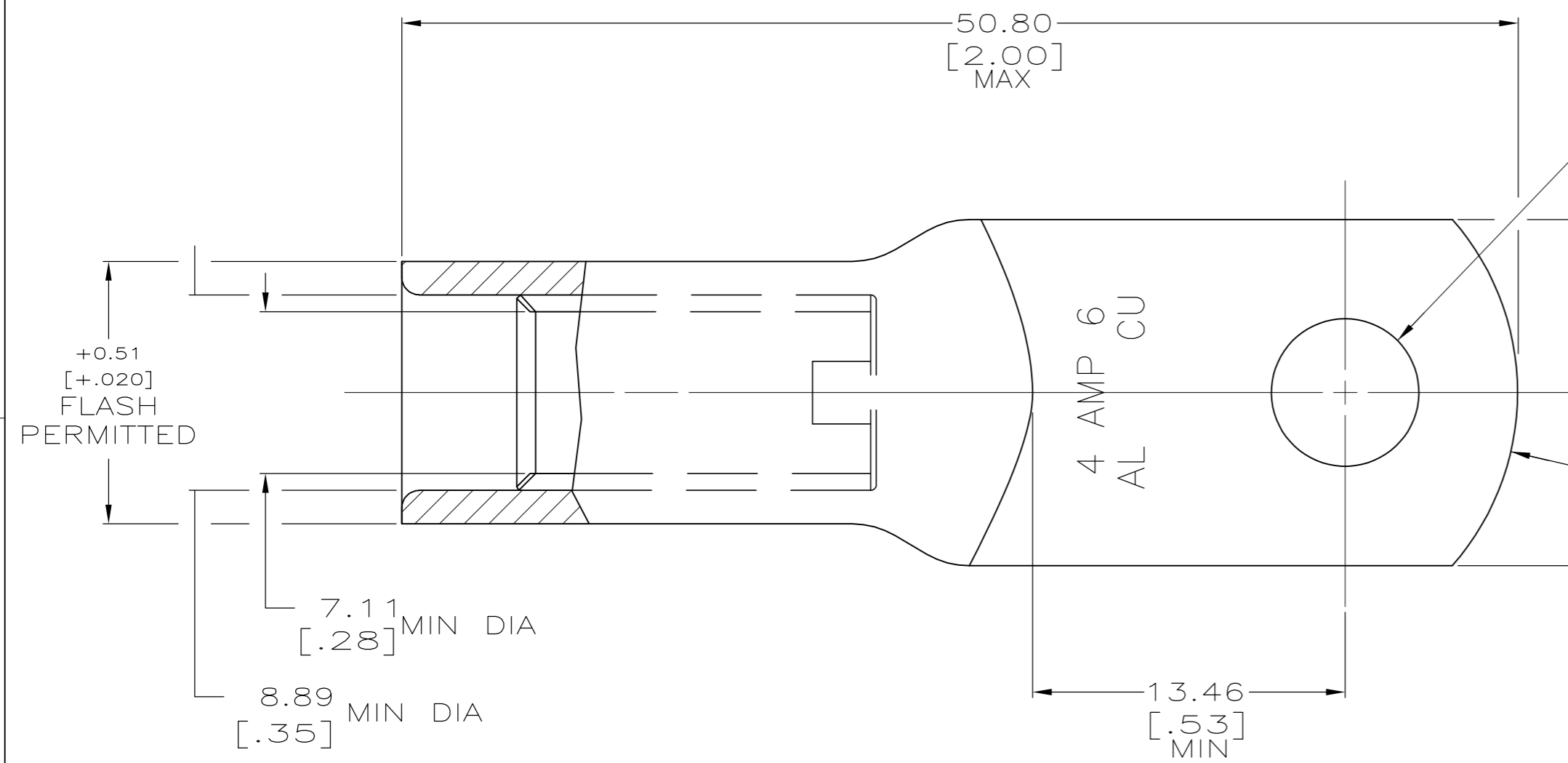
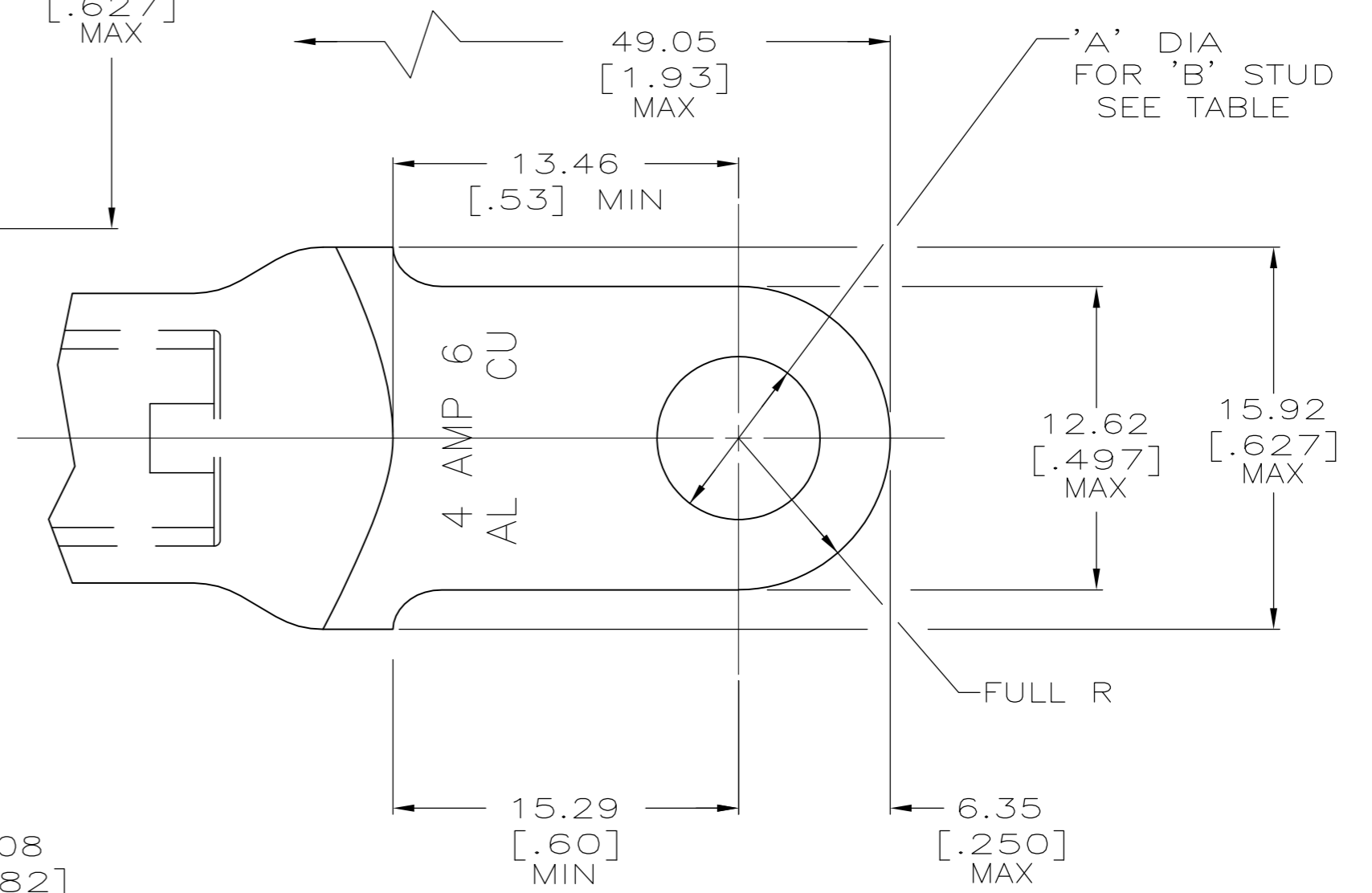


THIS DRAWING IS UNPUBLISHED. RELEASED FOR PUBLICATION
 © COPYRIGHT BY TYCO ELECTRONICS CORPORATION. ALL RIGHTS RESERVED.

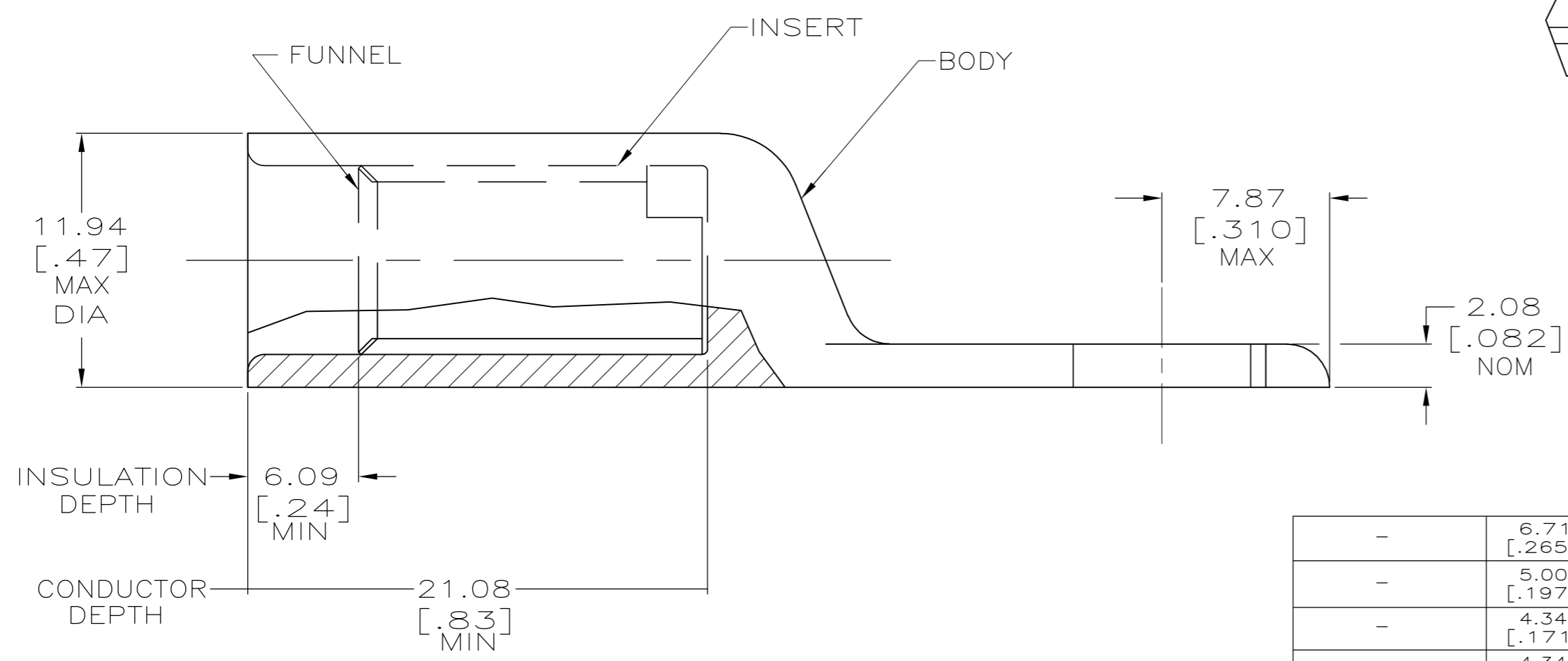
LOC		DIST		REVISIONS					
G		86		P	LTR	DESCRIPTION	DATE	DWN	APVD
				J		REV PER ECR 08-005023	27FEB08	JR	MS



- 1 WIRE INSULATION: 7.01[.276] - 7.75[.305] DIA
- 2 THE TONGUE RADIUS FEATURE IS NOT A TOOLING CONTROLLED DIMENSION AND MAY NOT BE A TRUE RADIUS.
- 3 TERMINAL ALSO ACCEPTS #3 AWG (27MM2) ALUMINUM WIRE PER EUROPEAN REQUIREMENT EN3373 AND TEST REPORT 425E/90.



FOR 277149-6, -7, & -8 ONLY



-	6.71±0.13 [.265±.005]	1/4	BODY: COPPER ASTM-B187 ANNEALED TIN PL MIL-T-10727 0.00381[.000150] MIN THK INSERT & FUNNEL: BRASS ASTM B36 NICKEL PL SAE AMS QQ-N-290A, DATED JULY 2000, 0.00254 [.000100] MIN THK	277149-8
-	5.00±0.08 [.197±.003]	#10		277149-7
-	4.34±0.08 [.171±.003]	#8		277149-6
-	4.34±0.08 [.171±.003]	#8		277149-5
18.5 GRAMS	9.91±0.13 [.390±.005]	3/8		277149-4
18.9 GRAMS	8.33±0.13 [.328±.005]	5/16	277149-3	
19.4 GRAMS	6.71±0.13 [.265±.005]	1/4	277149-2	
19.8 GRAMS	5.00±0.08 [.197±.003]	#10	277149-1	
WEIGHT	'A'	'B'	MATERIAL & FINISH	PART NO.

THIS DRAWING IS A CONTROLLED DOCUMENT.

DWN	DK SCHRUM	6/23/89	Tyco Electronics Corporation Harrisburg, PA 17105-3608
CHK	MS FEHER	10/16/90	
APVD	WJ VOCKROTH	10/16/90	
NAME	WIRE TERMINAL, COPALUM SEALED, RING TONGUE, WIRE SIZE [4] AL OR [6] COPPER		
DIMENSIONS:	TOLERANCES UNLESS OTHERWISE SPECIFIED:	PRODUCT SPEC	RESTRICTED TO
MM [INCHES]	0 PLC ± - 1 PLC ± - 2 PLC ± - 3 PLC ± - 4 PLC ± - ANGLES ± - FINISH	108-11011 114-2134	SIZE CAGE CODE DRAWING NO
MATERIAL	SEE TABLE	WEIGHT SEE TABLE	A2 00779 C=277149
SEE TABLE		CUSTOMER DRAWING	SCALE 4:1 SHEET 1 OF 1 REV J