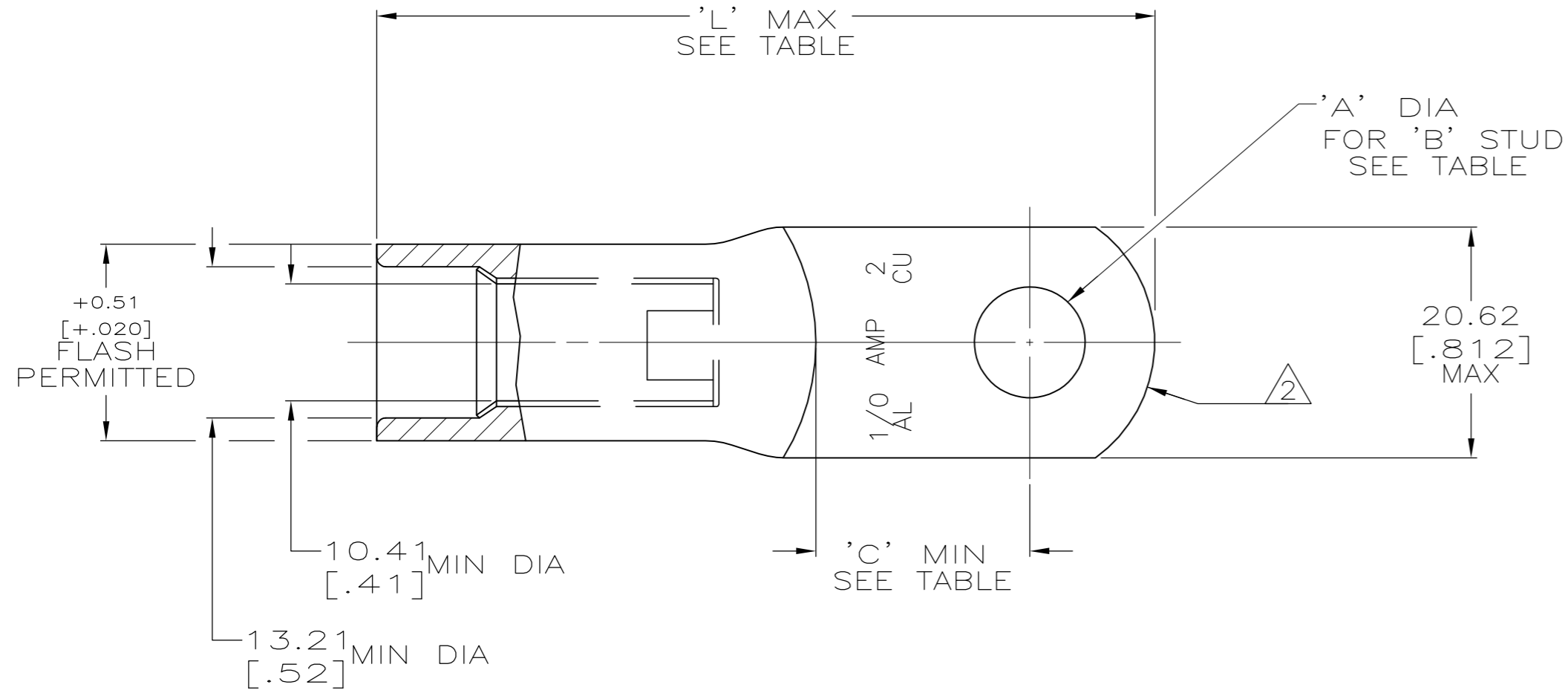
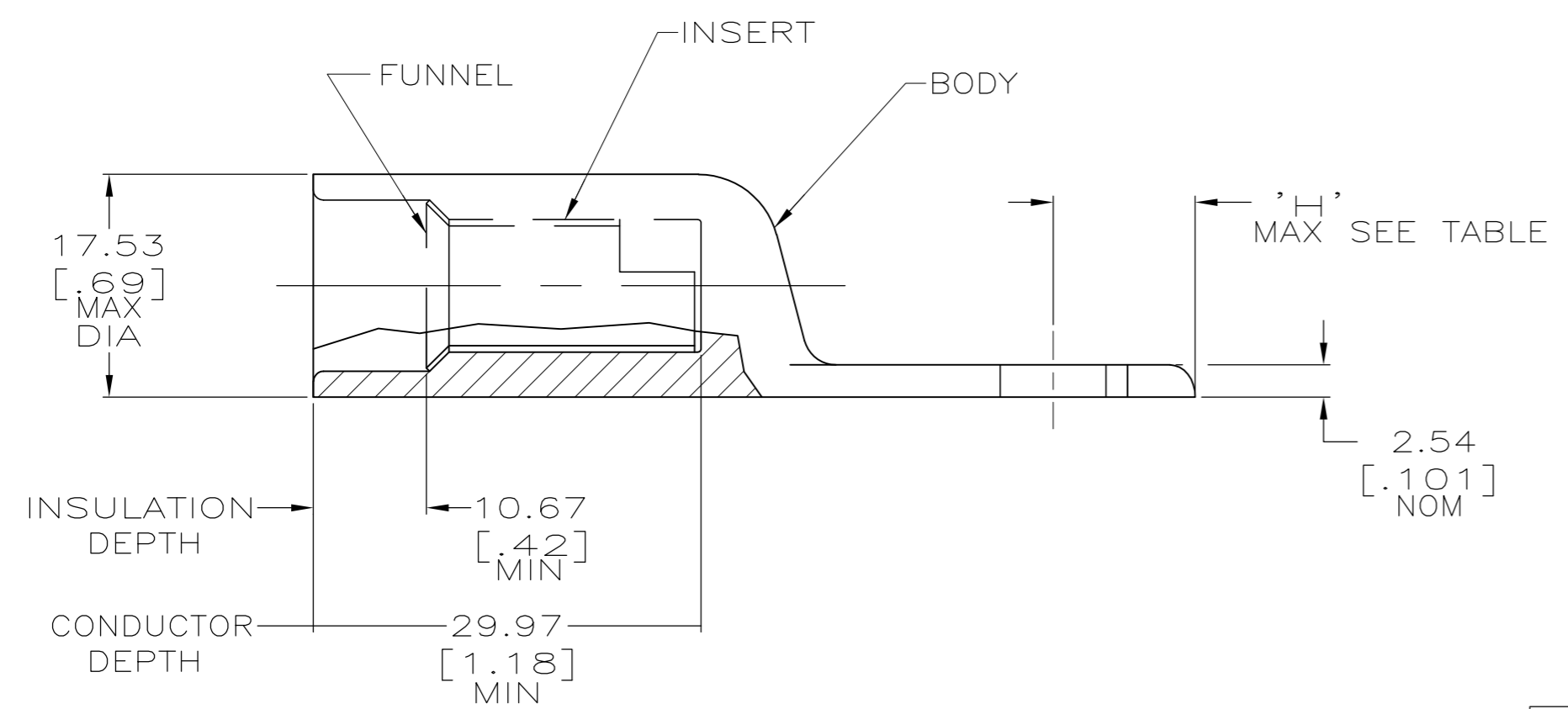


THIS DRAWING IS UNPUBLISHED. RELEASED FOR PUBLICATION
 © COPYRIGHT BY TYCO ELECTRONICS CORPORATION. ALL RIGHTS RESERVED.

LOC		DIST		REVISIONS			
P	LTR	DESCRIPTION	DATE	DWN	APVD		
G	86	N	REV PER ECR 08-005023	27FEB08	JR	MS	



- 1 WIRE INSULATION: 10.79[.425] - 11.94[.470] DIA
- 2 THE TONGUE RADIUS FEATURE IS NOT A TOOLING CONTROLLED DIMENSION AND MAY NOT BE A TRUE RADIUS.



	WEIGHT	'A'	'B'	'L'	'C'	'H'	MATERIAL & FINISH	PART NO.
	-	8.33[.328]	5/16	63.75[2.51]	12.45[.49]	10.18[.401]	BODY: COPPER ASTM-B187 ANNEALED TIN PL PER MIL-T-10727 0.00381[.000150] MIN THK	277151-7
OBSOLETE	-	13.08[.515]	1/2	69.34[2.73]	16.76[.66]	11.38[.448]		277151-6
	57.0±5 GRAMS	6.73[.265]	1/4					277151-5
OBSOLETE	-	13.08[.515]	1/2	63.75[2.51]	12.45[.49]	10.18[.401]	INSERT & FUNNEL: BRASS ASTM B36 NICKEL PL SAE AMS QQ-N-290A, DATED JULY 2000, 0.00254 [.000100] MIN THK	277151-4
	54.0±5 GRAMS	6.73[.265]	1/4					277151-3
	56.0±5 GRAMS	9.91[.390]	3/8	69.34[2.73]	16.76[.66]	11.38[.448]		277151-2
	53.0±5 GRAMS			63.75[2.51]	12.45[.49]	10.18[.401]		277151-1

THIS DRAWING IS A CONTROLLED DOCUMENT.

DWN	DK SCHRUM	6/23/89	Tyco Electronics Corporation Harrisburg, PA 17105-3608	
CHK	MS FEHER	10/16/90		
APVD	AJ KAUFMAN	10/23/90		
NAME	AJ KAUFMAN			
PRODUCT SPEC	108-11011		WIRE TERMINAL, RING TONGUE, SEALED COPALUM 55.5mm ² [1/0] ALUMINUM 34.3mm ² [2] COPPER	
APPLICATION SPEC	114-2134			
MATERIAL	SEE TABLE	FINISH	SEE TABLE	
WEIGHT	SEE TABLE	SCALE	2:1	
CUSTOMER DRAWING	SIZE	A2	CAGE CODE	00779
	DRAWING NO	C=277151		
	RESTRICTED TO	-		
	SHEET	1 of 1		
	REV	N		