

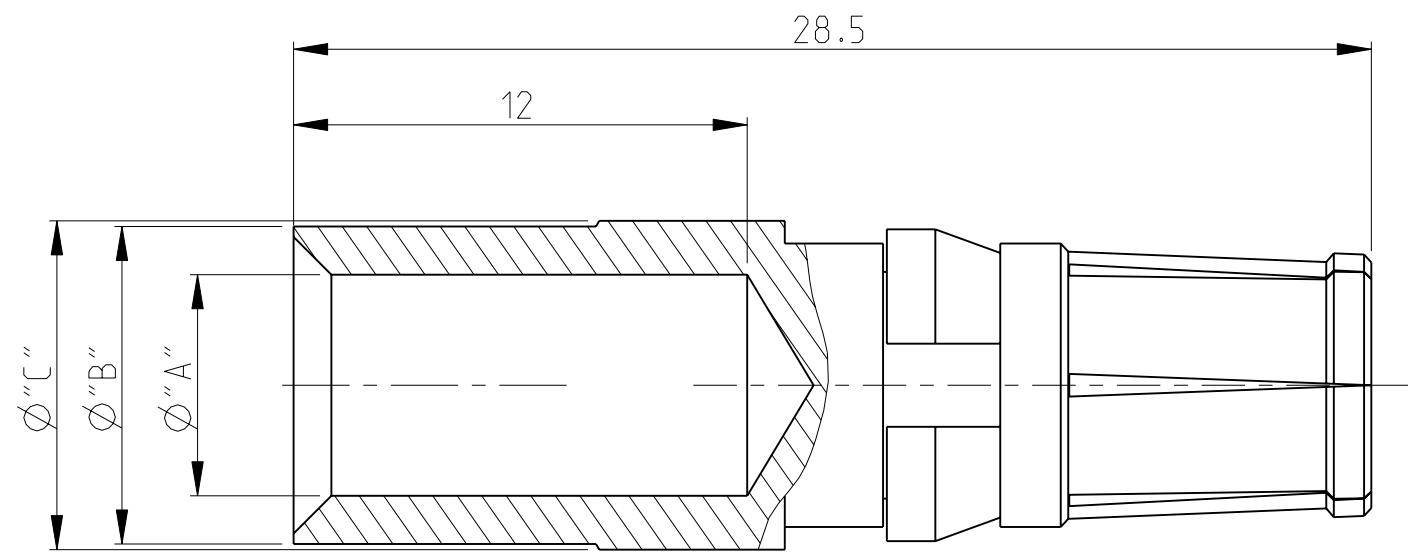
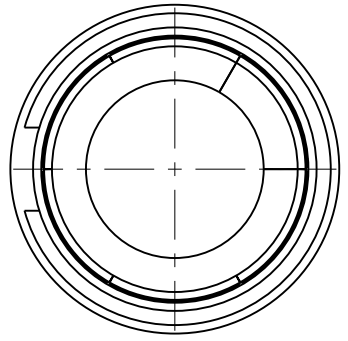
THIS DRAWING IS UNPUBLISHED. RELEASED FOR PUBLICATION 2006
 © COPYRIGHT 2006 BY TYCO ELECTRONICS CORPORATION. ALL INTERNATIONAL RIGHTS RESERVED.

LOC	DIST	REVISIONS					
		P	LTR	DESCRIPTION	DATE	DWN	APVD
B1	-	C2		REWORKED ECR-09-005436	08.04.08	KS	MH

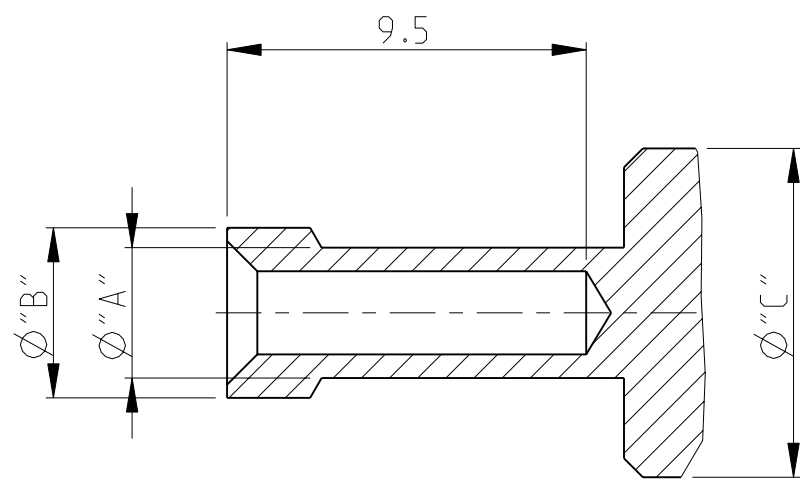
Notes

- 1 MATERIAL: BRASS
- 2 FINISH SILVER PLATING: 2 µm Ag MIN. OVER Cu
- 3 FINISH GOLD PLATING: 0.75 µm Au MIN. OVER Ni
- 4 WEIGHT (MAX.): 6.44 g, VOLUME (MAX.): 795mm³ (APPROX.)
- 5 SUITABLE PIN CONTACT: CUSTOMER DRAWING 1105150
- 6 SUITABLE INSERTS: SERIES HSS, CUSTOMER DRAWING
- 7 SUITABLE CRIMP TOOL: PN 1-1105850-8
- 8 SUITABLE INSERTION TOOL: -
- 9 SUITABLE EXTRACTION TOOL: PN 0-1102855-5
- 10 FINE WIRE DIA. MAX. Ø4.5
- 11 STANDARDS: DIN EN 61984, DIN EN 60664-1
- 12 PACKAGING: 25 PIECES IN A POLY-BAG
- 13 PACKAGING: 1 PIECE LOOSE

WIRE CROSS-SECTION: Ø6mm²- 16mm²



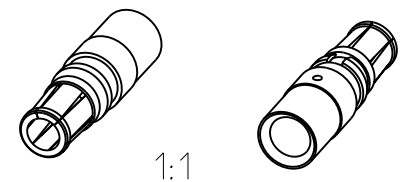
WIRE CROSS-SECTION: Ø2.5mm²/ 4mm²



ORDERING TEXT	PLATING	CROSS SECTION	DIMENSIONS	STRIPPING-LENGTH	WITH CLIP	WITHOUT CLIP	RAW PART	
HSS-C-Bu.Au.16.0 mm ²	GOLD	16.0	5.85 8.4 8.7	12	5-2	9-3	7-9	
HSS-C-Bu.Au.10.0 mm ²		10.0	4.35 5.9 8.7	12	4-2	9-2	7-8	
HSS-C-Bu.Au.6.0 mm ²		6.0	3.5 4.9 8.7	12	3-2	9-1	7-7	
HSS-C-Bu.Ag.25.0 mm ²	SILVER	25.0	7.0 9.45 9.6	12	6-1	8-7	7-6	
HSS-C-Bu.Ag.16.0 mm ²		16.0	5.85 8.4 8.7	12	5-1	8-6	7-5	
HSS-C-Bu.Ag.10.0 mm ² -fine		10.0	4.6 5.9 8.7	12	4-3	8-5	7-4	
HSS-C-Bu.Ag.10.0 mm ²		10.0	4.35 5.9 8.7	12	4-1	8-4	7-3	
HSS-C-Bu.Ag.6.0 mm ²		6.0	3.5 4.9 8.7	12	3-1	8-3	7-2	
HSS-C-Bu.Ag.4.0 mm ²		4.0	2.8 3.9 8.7	12	2-1	8-2	7-1	
HSS-C-Bu.Ag.2.5 mm ²		2.5	2.2 3.45 8.7	12	1-1	8-1	7-0	
HSS-C-Bu.25.0 mm ²		CuZn36Pb1.5Fe43	25.0	7.0 9.45 9.6	-	-	-	0-7
HSS-C-Bu.16.0 mm ²			16.0	5.85 8.4 8.7	-	-	-	0-6
HSS-C-Bu.10.0 mm ² -fine			10.0	4.6 5.9 8.7	-	-	-	0-5
HSS-C-Bu.10.0 mm ²	10.0		4.35 5.9 8.7	-	-	-	0-4	
HSS-C-Bu.6.0 mm ²	6.0		3.5 4.9 8.7	-	-	-	0-3	
HSS-C-Bu.4.0 mm ²	4.0		2.8 3.9 8.7	-	-	-	0-2	
HSS-C-Bu.2.5 mm ²	2.5		2.2 3.45 8.7	-	-	-	0-1	
		[MM ²]	"A" "B" "C"	[MM]	PN	PN	PN	

PARTS LIST

THIS DRAWING IS A CONTROLLED DOCUMENT FOR TYCO ELECTRONICS CORPORATION IT IS SUBJECT TO CHANGE AND THE CONTROLLING ENGINEERING ORGANIZATION SHOULD BE CONTACTED FOR THE LATEST REVISION.		DWN K.SCHROEDER 10APR2008 CHK H.BRAUN 10APR2008 APVD T.SCHNURPFEL 10APR2008	Tyco Electronics AMP GmbH 53757 Sankt Augustin (Germany)
DIMENSIONS: mm 	TOLERANCES UNLESS OTHERWISE SPECIFIED: 0 PLC ± 1 PLC ± 2 PLC ± 3 PLC ± 4 PLC ± ANGLES ±0.5°	PRODUCT SPEC 108-74016 APPLICATION SPEC 114-74028 WEIGHT -	NAME SOCKET CONTACT SERIES HSS SIZE A2 CAGE CODE 00779 DRAWING NO C=1105151 RESTRICTED TO -
MATERIAL 1	FINISH 2 3	CUSTOMER DRAWING	SCALE 5:1 SHEET 1 OF 1 REV C2



1:1