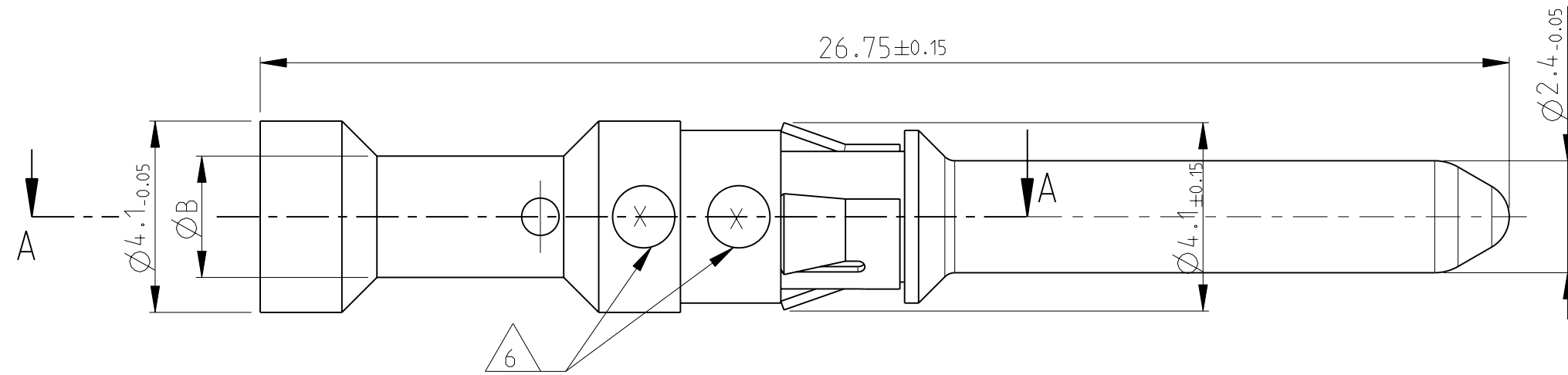
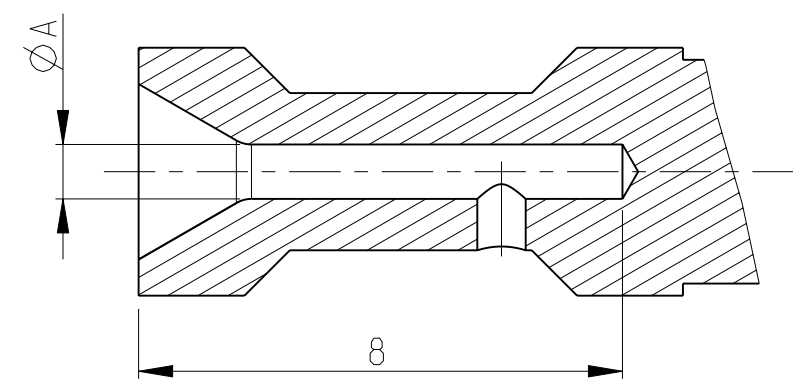


LOC	DISTR	REVISIONS					
		P	LTR	DESCRIPTION	DATE	DWN	APVD
A1		G2		ECR-09-005436	17MAY2010	SR	AR
		H1		ECR-10-012150	11.06.10	SR	ME



SECTION A-A

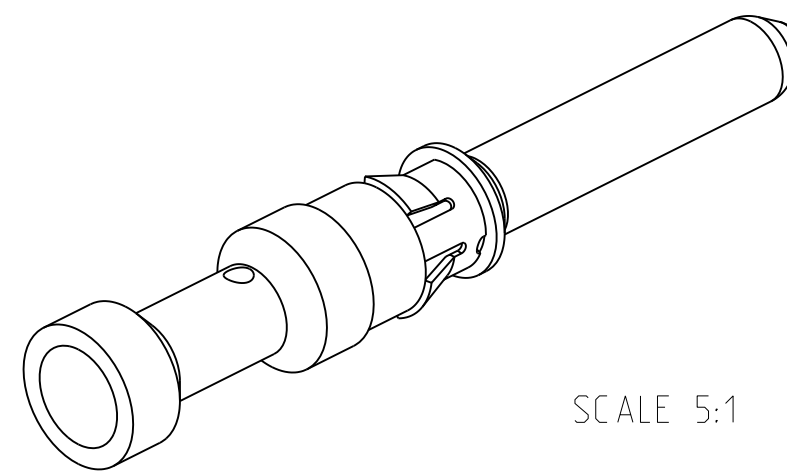


NOTES:

- 1 MATERIAL SEE TABLE
- 2 SURFACE SEE TABLE
- 3 ASSEMBLY WEIGHT SEE TABLE
- 4 PACKAGING: 50 PIECES IN POLYBAG
- 5 PACKAGING: 500 PIECES IN POLYBAG & CARTON
- 6 CROSS-SECTION MARKING
- 7 NO VENTILATION HOLE REQUIRED AT CROSS SECTION >4 mm²
- 8 SUITABLE SOCKET CONTACT: PN 1105301
- 9 SUITABLE INSERTS: SERIES HVT
- 10 SUITABLE CRIMP TOOL: PN 1-1105851-8
- 11 SUITABLE INSERTION TOOL: PN 0-1102855-6
- 12 SUITABLE EXTRACTION TOOL: PN 0-1102855-3
- 13 STANDARDS: DIN EN 61984, DIN EN 60664-1

ASSEMBLY WEIGHT IN (Kg)		DESCRIPTION	MATERIAL	SURFACE	ØA	ØB	CROSS SECTION MARKING	ITEM NO			
0.00142	0.00144								2.85	3.9	6
1		Pin Contact 4.0 mm ²	CuZn39Pb3 F43	GOLD PLATING				1			
	1	Pin Contact 2.5 mm ²							2.2	3.2	5
		Pin Contact 1.5 mm ²							1.8	3.0	4
		Pin Contact 0.75-1.0 mm ²							1.45	2.6	3
		Pin Contact 0.5 mm ²							1.1	2.6	2
		Pin Contact 0.13-0.4 mm ²							0.9	2.6	1
		Pin Contact 14 AWG		2.0					3.2	8	
		Pin Contact 12 AWG		2.55					3.6	9	
		Pin Contact 10 AWG		3.2					4.1	7	
		Pin Contact 4.0 mm ²		2.85					3.9	6	
		Pin Contact 2.5 mm ²		2.2					3.2	5	
		Pin Contact 1.5 mm ²		1.8					3.0	4	
		Pin Contact 0.75-1.0 mm ²		1.45					2.6	3	
		Pin Contact 0.5 mm ²		1.1					2.6	2	
		Pin Contact 0.13-0.4 mm ²	0.9	2.6	1						

ØA	ØB	DESCRIPTION	MATERIAL	SURFACE	ØA	ØB	CROSS SECTION MARKING	ITEM NO
4.1	2.5	HVT-C-Sltt.Au.4.0 mm ²						
4.1	2.5	HVT-C-Sltt.Au.2.5 mm ²						
4.1	2.5	HVT-C-Sltt.Au.1.5 mm ²						
4.1	2.5	HVT-C-Sltt.Au.0.75-1.0 mm ²						
4.1	2.5	HVT-C-Sltt.Au.0.5 mm ²						
4.1	2.5	HVT-C-Sltt.Au.0.13-0.4 mm ²						
4.1	2.5	HVT-C-Sltt.Ag-AWG.14						
4.1	2.5	HVT-C-Sltt.Ag-AWG.12						
4.1	2.5	HVT-C-Sltt.Ag-AWG.10						
4.1	2.5	HVT-C-Sltt.Ag.4.0 mm ²						
4.1	2.5	HVT-C-Sltt.Ag.2.5 mm ²						
4.1	2.5	HVT-C-Sltt.Ag.1.5 mm ²						
4.1	2.5	HVT-C-Sltt.Ag.0.75-1.0 mm ²						
4.1	2.5	HVT-C-Sltt.Ag.0.5 mm ²						
4.1	2.5	HVT-C-Sltt.Ag.0.13-0.4 mm ²						



SCALE 5:1

THIS DRAWING IS A CONTROLLED DOCUMENT FOR TYCO ELECTRONICS CORPORATION. IT IS SUBJECT TO CHANGE AND THE CONTROLLING ENGINEERING ORGANIZATION SHOULD BE CONTACTED FOR THE LATEST REVISION.

DIMENSIONS: mm	TOLERANCES UNLESS OTHERWISE SPECIFIED: 0 PLC 1 PLC 2 PLC 3 PLC 4 PLC ANGLES	DWN G.W.ROBLEWSKI 04 SEP.2007 CHK T.SCHNURPFELT 04 SEP.2007 APVD T.SCHNURPFELT 04 SEP.2007	Tyco Electronics, AMP GmbH 53757 Sankt Augustin, Germany
MATERIAL	FINISH	PRODUCT SPEC 108-74035 APPLICATION SPEC 114-74013	NAME CLIP
		WEIGHT	SIZE A2 CAGE CODE 00779 DRAWING NO 1105300 RESTRICTED TO -
CUSTOMER DRAWING			SCALE 5:1 SHEET 1 OF 1 REV H1