

4

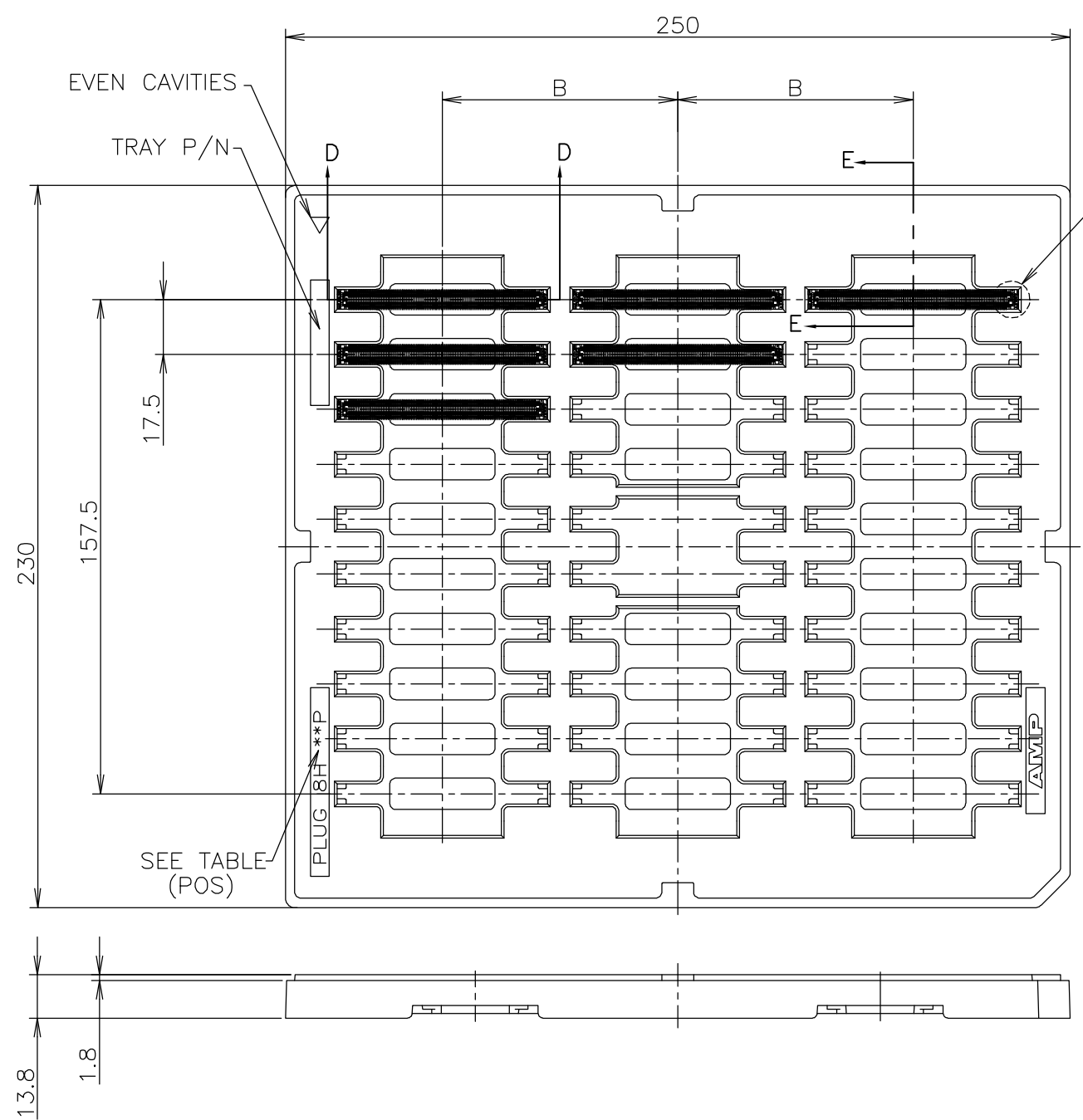
3

2

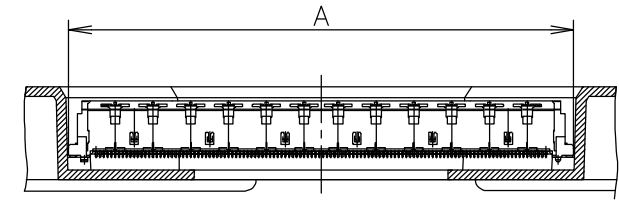
1

THIS DRAWING IS UNPUBLISHED. RELEASED FOR PUBLICATION ,2005.
 © COPYRIGHT 2005 BY TYCO ELECTRONICS CORPORATION. ALL RIGHTS RESERVED.

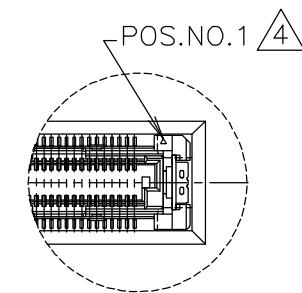
LOC	DIST	REVISIONS			
P	LTR	DESCRIPTION	DATE	DWN	APVD
J	/	B	REVISED (ECR-06-003411)	14MAR06	S.W H.K



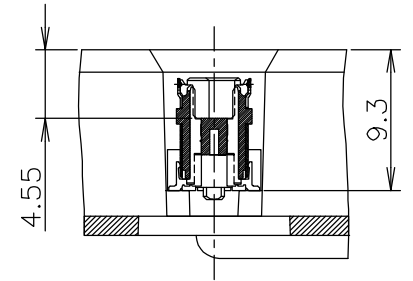
SEE DETAIL C



SECT. D-D
 (SCALE 2:1)
 (CONNECTOR NOT SECTION)



DETAIL C
 (SCALE 2:1)



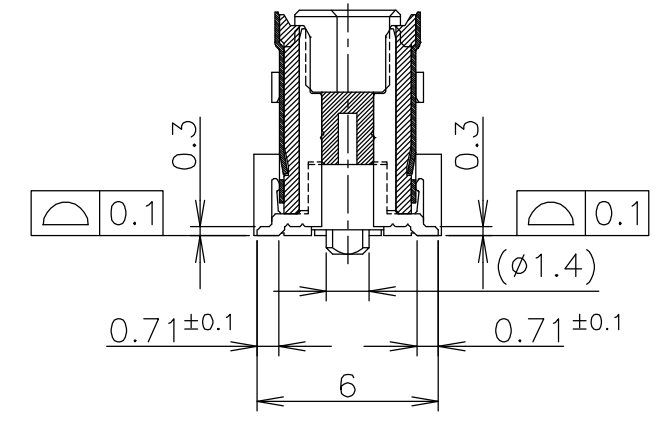
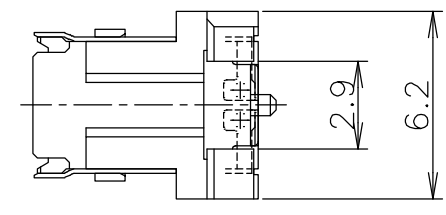
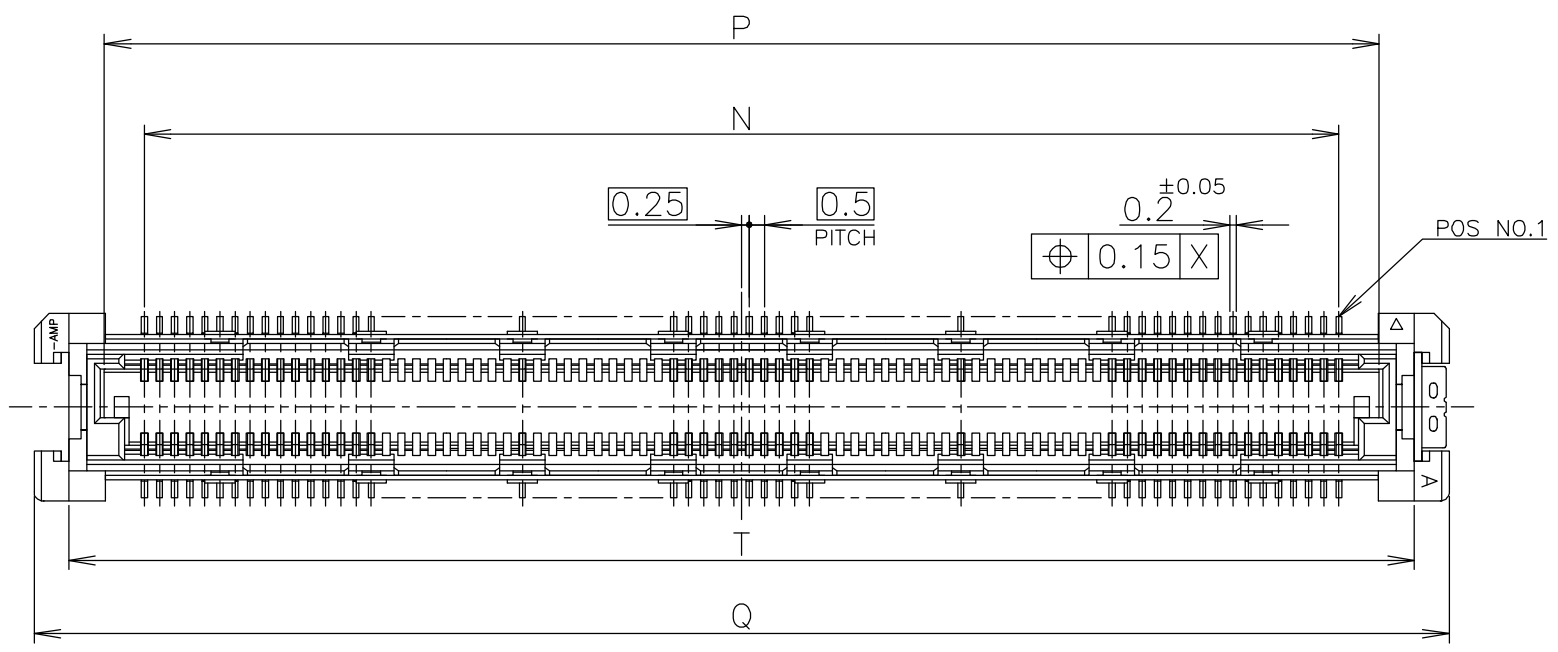
SECT. E-E
 (SCALE 2:1)

YES Δ	3	30	75	61.8	220	8-6318491-6
NO	3	30	75	61.8	220	3-6318491-6
SEALANT	ROW	QTY	B	A	POS.	PART NO.

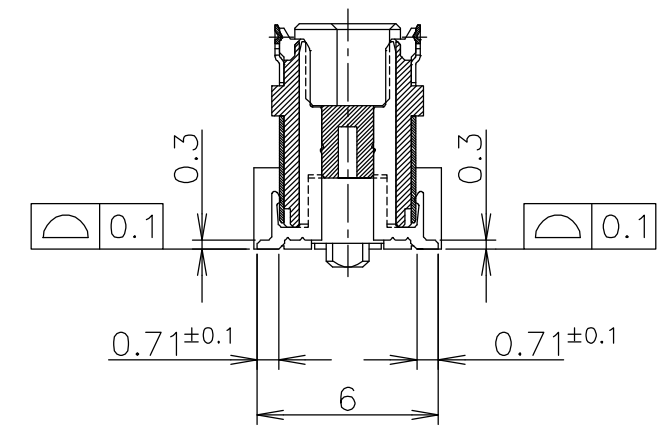
THIS DRAWING IS A CONTROLLED DOCUMENT.		DWN S.CHIEN 26SEP05	Tyco Electronics AMP K.K. Kawasaki, Japan			
DIMENSIONS: MM		CHK T.FUTATSUGI 26SEP05				
TOLERANCES UNLESS OTHERWISE SPECIFIED:		APVD W.KODAMA 26SEP05	HARD TRAY ASSY			
0 PLC ± 0.3 1 PLC ± 0.3 2 PLC ± 0.3 3 PLC ± 0.3 4 PLC ± 0.3 ANGLES $\pm 3'$		PRODUCT SPEC 108-5560	FH 0.5BTB CONNECTOR 220POS PLUG 8H WITH GROUND PLATE			
MATERIAL		APPLICATION SPEC	SIZE	CAGE CODE	DRAWING NO	RESTRICTED TO
FINISH		WEIGHT	A3	00779	C-6318491	
CUSTOMER DRAWING			SCALE	SHEET	REV	
			1:2	1 OF 3	B	

THIS DRAWING IS UNPUBLISHED. RELEASED FOR PUBLICATION NOV, 1996.
 © COPYRIGHT 1996 BY TYCO ELECTRONICS CORPORATION. ALL RIGHTS RESERVED.

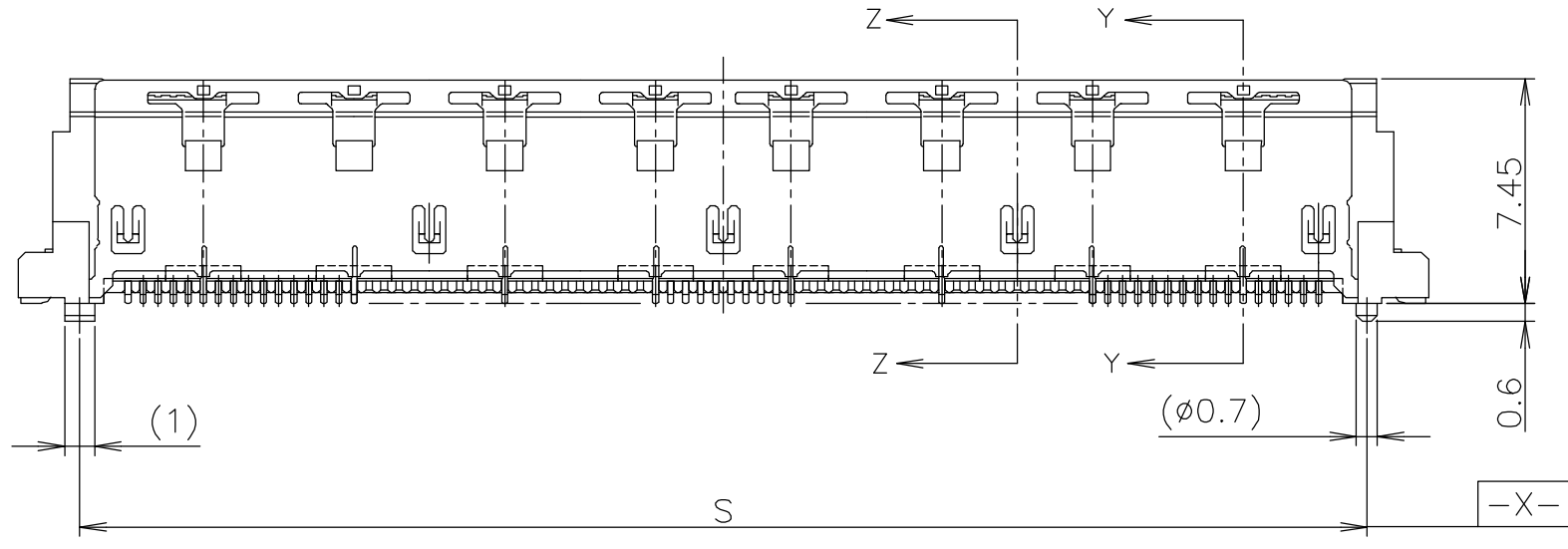
LOC	DIST	REVISIONS			
P	LTR	DESCRIPTION	DATE	DWN	APVD
		SEE SHEET 1	-	-	-



SECT. Z-Z
(SIGNAL POSITION)



SECT. Y-Y
(GROUND POSITION)



- NOTE:**
- ① MATERIAL ; HOUSING : HIGH TEMP THERMO PLASTIC UL94V-0
CONTACT : COPPER ALLOY
SOLDER PEG : COPPER ALLOY
 - ② FINISH ; SIGNAL CONTACT : UNDER PL Ni 0.0013mm MIN ALL OVER.
CONTACT AREA 0.0002mm MIN Au PL.
SOLDERING AREA 0.001mm MIN TIN PL.
GROUND CONTACT : UNDER PL Ni 0.0013mm MIN ALL OVER.
CONTACT AREA 0.0002mm MIN Au PL.
SOLDERING AREA 0.001mm MIN TIN PL.
SOLDER PEG : 0.001mm MIN TIN PL. OVER
0.0013mm MIN Ni PL ALL OVER.
 - ③ THIS POSITION IS GROUND CIRCUIT.
 - ④ THIS PRODUCT WAS COATED BY FLUX-PENETRATION-INHIAITING AGENT.

59.5	57.7	61.8	57.1	54.5	220	BLACK	8-6318491-6
59.5	57.7	61.8	57.1	54.5	220	BLACK	3-6318491-6
T	S	Q	P	N	POS.	HSG COLOR	PART NO.

THIS DRAWING IS A CONTROLLED DOCUMENT.		DWN		Tyco Electronics AMP K.K. Kawasaki, Japan	
DIMENSIONS: MM		CHK			
TOLERANCES UNLESS OTHERWISE SPECIFIED:		APVD		NAME	
0 PLC ± 0.3 1 PLC ± 0.3 2 PLC ± 0.3 3 PLC ± 0.3 4 PLC ± 0.3 ANGLES ± 3° FINISH		PRODUCT SPEC		HARD TRAY ASSY	
MATERIAL ①		APPLICATION SPEC		FH 0.5BTB CONNECTOR 220POS	
FINISH ②		WEIGHT		PLUG 8H WITH GROUND PLATE	
		CUSTOMER DRAWING		SIZE A3	CAGE CODE 00779
				DRAWING NO C-6318491	RESTRICTED TO
				SCALE 4:1	SHEET 2 OF 3
					REV B

4

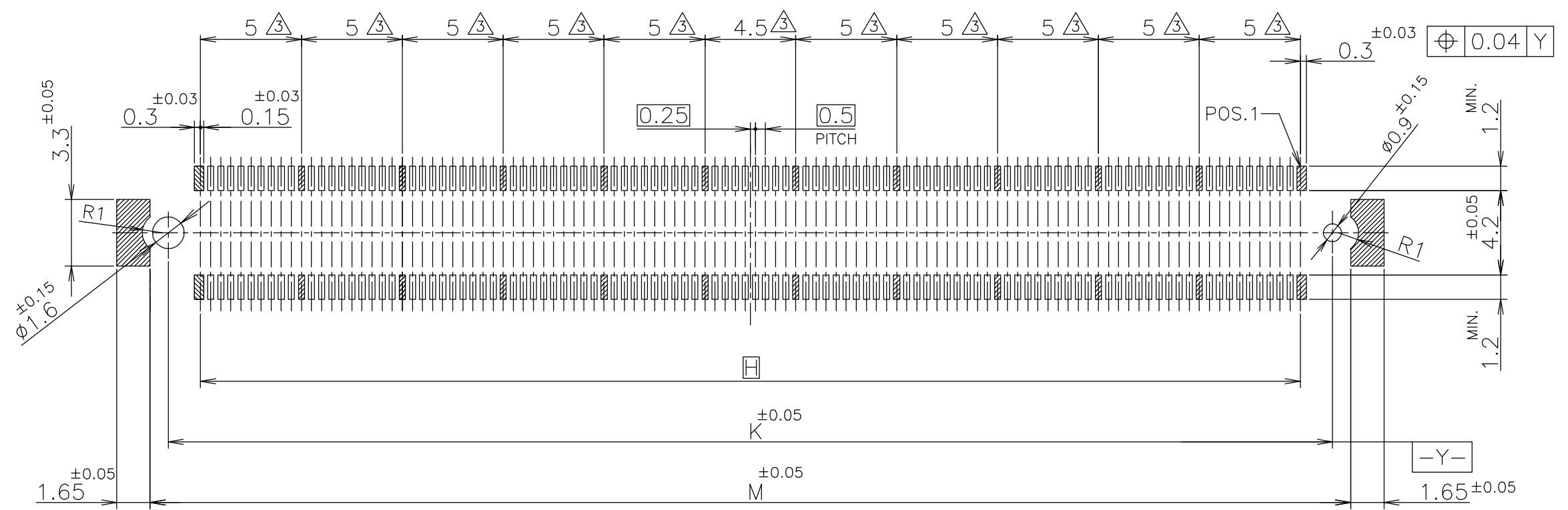
3

2

1

THIS DRAWING IS UNPUBLISHED. RELEASED FOR PUBLICATION NOV, 1996.
 © COPYRIGHT 1996 BY TYCO ELECTRONICS CORPORATION. ALL RIGHTS RESERVED.

LOC	DIST	REVISIONS			
P	LTR	DESCRIPTION	DATE	DWN	APVD
J		SEE SHEET 1	-	-	-



REFERENCE P.C.BOARD LAYOUT

59.5	57.7	54.5	220	8-6318491-6
59.5	57.7	54.5	220	3-6318491-6
M	K	H	POS	PART NO.

THIS DRAWING IS A CONTROLLED DOCUMENT.		DWN	Tyco Electronics AMP K.K. Kawasaki, Japan			
DIMENSIONS: MM		CHK				
TOLERANCES UNLESS OTHERWISE SPECIFIED:		APVD	NAME			
0 PLC ± 0.3 1 PLC ± 0.3 2 PLC ± 0.3 3 PLC ± 0.3 4 PLC ± 0.3 ANGLES ± 3°		PRODUCT SPEC	HARD TRAY ASSY			
MATERIAL		APPLICATION SPEC	FH 0.5BTB CONNECTOR 220POS			
FINISH		WEIGHT	SIZE	CAGE CODE	DRAWING NO	RESTRICTED TO
1		2		A3	00779	C-6318491
CUSTOMER DRAWING			SCALE	SHEET	OF	REV
			4:1	3	3	B