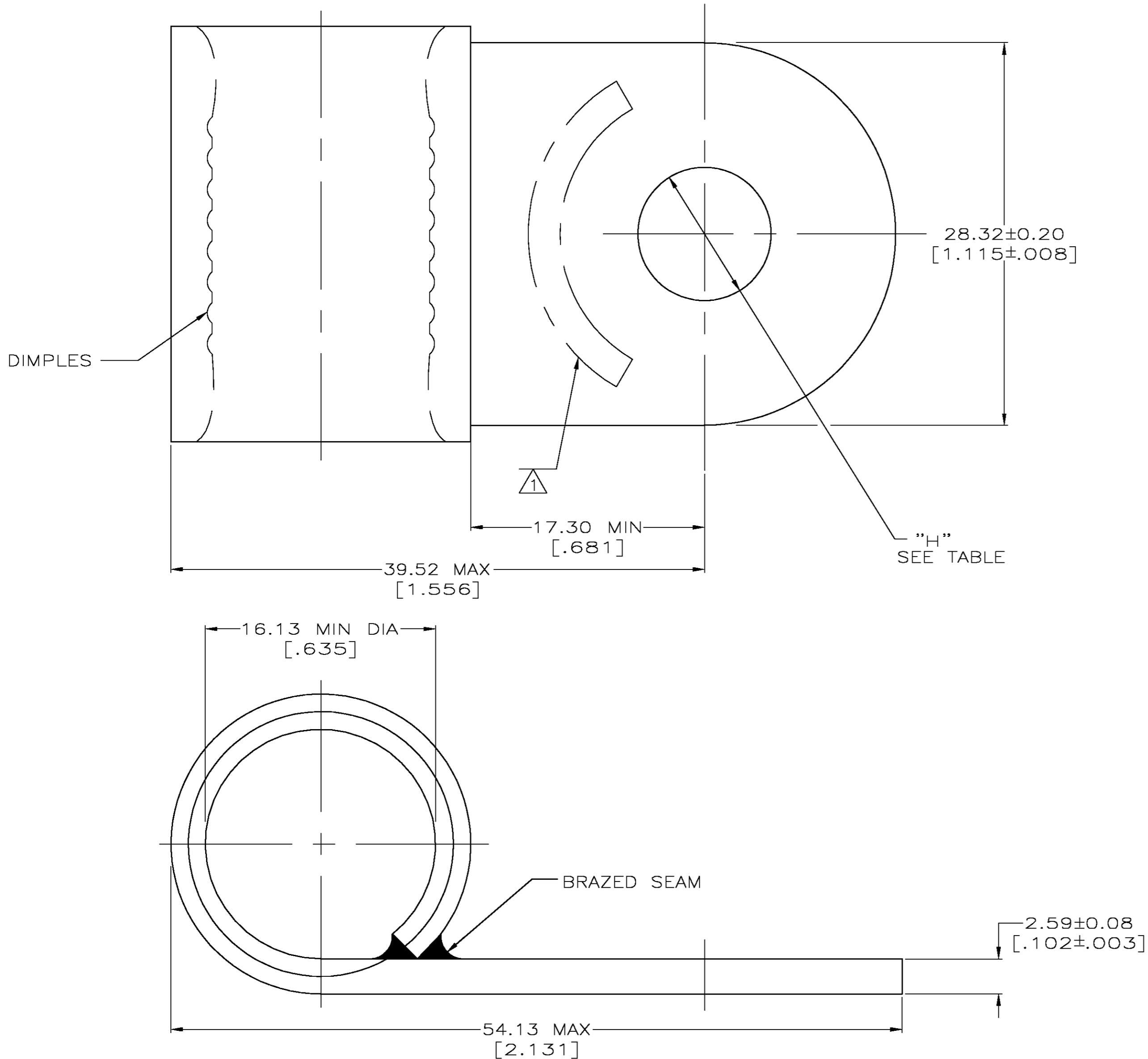


THIS DRAWING IS UNPUBLISHED. RELEASED FOR PUBLICATION
 © COPYRIGHT BY TYCO ELECTRONICS CORPORATION. ALL RIGHTS RESERVED.

LOC	DIST	REVISIONS					
		P	LTR	DESCRIPTION	DATE	DWN	APVD
G	14		E	REVISED PER 0G3A-0799-03	17DEC03	JR	MJS



AMP WIRE RANGE	Listed FILE E13288	LR7189 Certified
4/0 AWG SOLID OR STRANDED	4/0 AWG STRANDED	4/0 AWG SOLID OR STRANDED

- ① STAMP AMP 4/0W* APPROX AS SHOWN
- ② COPPER PER ASTM B-152, ANNEALED
- ③ 0.00254 [.000100] MIN TIN PER ASTM B-545

AMP INCORPORATED CUSTOMER SERVICE SYSTEMS

FOR ADDITIONAL PRODUCT INFORMATION OR COPIES OF DRAWINGS AND TECHNICAL DOCUMENTS	PRODUCT INFORMATION CENTER 1-800-522-6752	RECOMMENDED OPERATING TEMPERATURE: 170° C MAX
FOR APPLICATION TOOLING INFORMATION	TOOLING ASSISTANCE CENTER 1-800-722-1111	VOLTAGE RATING: NOT APPLICABLE
FOR ORDER ENTRY	1-800-526-5142	WIRE CROSS SECTIONAL AREA RANGE: 96.3-117mm ² [190,000-231,000] CIR MILS SOLID OR STRANDED

3/8	9.91±0.13 [.390±.005]	321277-1
5/16	8.33±0.13 [.328±.005]	321277
STUD SIZE	"H" DIA	PART NO

THIS DRAWING IS A CONTROLLED DOCUMENT.		DWN TA BRINKMAN 4-8-93	tyco Electronics		Tyco Electronics Corporation City, State, Zip	
DIMENSIONS: MM [INCHES]		CHK DA PATTERSON 4-8-93	NAME DA PATTERSON 4-8-93			
TOLERANCES UNLESS OTHERWISE SPECIFIED:		APVD DA PATTERSON 4-8-93	PRODUCT SPEC -			
0 PLC ± -		APPLICATION SPEC -				
1 PLC ± -		WEIGHT -				
2 PLC ± -		SIZE A2				
3 PLC ± -		CAGE CODE 00779				
4 PLC ± -		DRAWING NO C=321277				
ANGLES ± -		RESTRICTED TO -				
FINISH		SCALE 4:1				
MATERIAL - ②		SHEET 1 OF 1				
- ③		REV E				
CUSTOMER DRAWING						

321277