

THIS DRAWING IS UNPUBLISHED. RELEASED FOR PUBLICATION  
 © COPYRIGHT 19 BY AMP INCORPORATED. ALL INTERNATIONAL RIGHTS RESERVED.

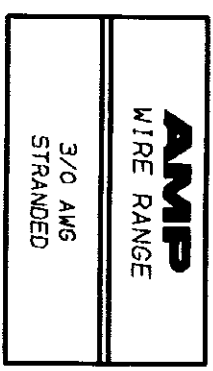
LOC G DIST 14

P F ZONE LTR

DESCRIPTION EC 0720-0279-93

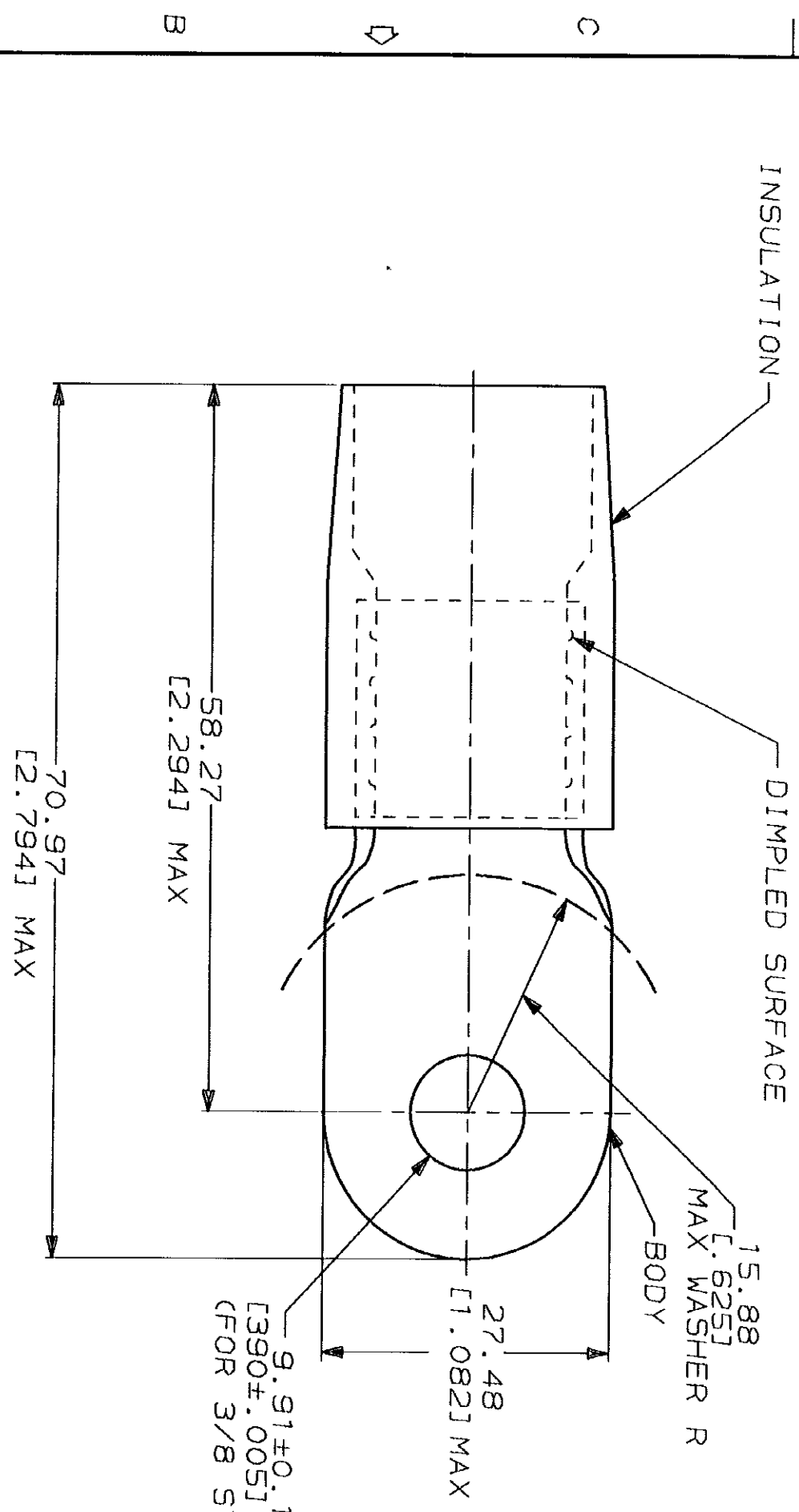
DATE 6-21-93 APPD BB

REVISIONS



**METRIOR**  
 DIMENSIONS LISTED IN mm [ INCHES ]

1. TONGUE MATERIAL THK 2.31±0.08 [ 0.091±.003 ]  
 FOR 17.27 [ 0.680 ] MAX WIRE INS DIA



**AMP INCORPORATED  
 CUSTOMER SERVICE SYSTEMS**

FOR ADDITIONAL  
 PRODUCT INFORMATION OR  
 COPIES OF DRAWINGS  
 AND TECHNICAL DOCUMENTS  
 1-800-522-6752  
 PRODUCT INFORMATION CENTER

FOR APPLICATION  
 TOOLING ASSISTANCE CENTER  
 1-800-722-1111

FOR ORDER ENTRY  
 1-800-526-5142

MAX RECOMMENDED OPERATING  
 TEMPERATURE:  
 105°C

VOLTAGE RATING:  
 -

CIRCULAR MIL AREA:  
 76.3-96.3mm² [150,500-190,000]  
 STRANDED

THIS DRAWING IS A CONTROLLED DOCUMENT FOR  
 AMP INCORPORATED. IT IS SUBJECT TO CHANGE  
 AND THE CONTROLLING ENGINEERING ORGANIZATION  
 SHOULD BE CONTACTED FOR THE LATEST REVISION.

M525036-138  
 CLASS 2

MILITARY P/N AND CLASS

DO NOT SCALE PRINT.  
 UNLESS SPECIFIED  
 DIMENSIONS IN MILLIMETERS  
 TOLERANCES ON:  
 2 PLC DEC ± 0.20 [ .008 ]  
 3 PLC DEC ±  
 ANGLES

MATERIAL  
 COPPER PER ASTM B-152  
 NYLON (MIL-M-20693) TYPE 1  
 COLOR: RED

FINISH  
 TIN PLATE PER MIL-T-10727

QTY

DR 6-21-93  
 S.S. GOLDEN  
 CHK 6-21-93  
 R. HERVEY  
 APPD 6-21-93  
 B. BARE  
 M. ELLIS  
 PRODUCT SPEC

APPLICATION SPEC

LOOSE PC

PART NO



AMP Incorporated  
 Harrisburg, PA 17105-3608

TERMINAL, RING TONGUE, TERMINYL  
 WIRE SIZE: 3/0 AWG

SIZE B CAGE CODE 00779 DRAWING NO @=324185

SCALE NTS SHEET 1 OF 1