

NOTES:

1. MATERIALS:

HOUSING:

BLANK=NYLON 6/6, UL94 V-2, COLOR: NATURAL

210=NYLON 6/6, UL94 V-0, COLOR: NATURAL

BL=NYLON 6/6, UL94 V-2, COLOR: BLACK

TERMINALS:

BRASS

2. TERMINAL PLATING:

BLANK=.000035/(0.00090) MIN. BRIGHT TIN OVER

.000020/(0.00050) MIN. COPPER

*GS2=.000015/(0.00038) MIN. SELECT GOLD AND

.000100/(0.00254) MIN. SELECT MATTE TIN

OVER .000050/(0.00127) MIN. NICKEL OVERALL

*GS=.000030/(0.00076) MIN. SELECT GOLD AND

.000100/(0.00254) MIN. SELECT MATTE TIN

OVER .000050/(0.00127) MIN. NICKEL OVERALL

S=.000100/(0.00254) MIN. BRIGHT TIN OVER

.000050/(0.00127) MIN. NICKEL

*THE PRIMARY SHIPPING CARTON WILL BE LABELED

"ELV AND RoHS COMPLIANT", CARTONS WITHOUT

THIS LABEL MAY CONTAIN PRODUCT WITH

TIN-LEAD PLATING.

3. PRODUCT SPECIFICATION: PS-5556-001

4. PACKAGING: TRAY PACKED PER PK-5566-002

5. PART MATES WITH MINI-FIT JR. RECEPTACLE NO. 5557.

6. PART IS NOT DESIGNED FOR CURRENT SHARING.

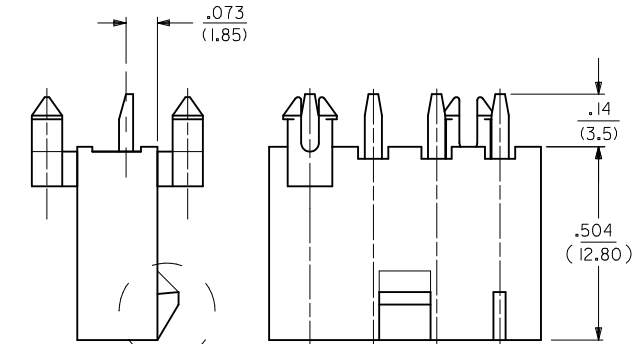
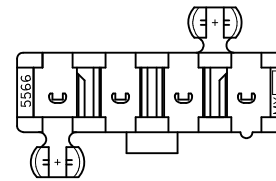
7. PARTS ARE NOT TO BE MATED OR UN-MATED WHILE

CIRCUITS ARE LIVE.

8. PART CONFORMS TO CLASS "B" REQUIREMENTS OF

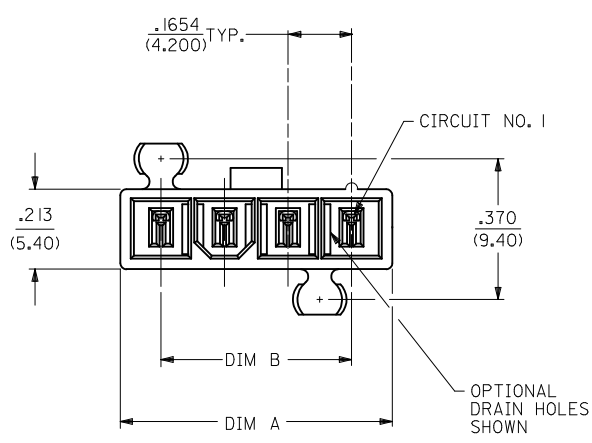
COSMETIC SPECIFICATION PS-45499-002.

CKT SIZE	DIM A	DIM B
4	.709 (18.00)	.496 (12.60)
5	.874 (22.20)	.661 (16.80)
6	1.039 (26.40)	.827 (21.00)
7	1.205 (30.60)	.992 (25.20)
8	1.370 (34.80)	1.157 (29.40)
9	1.535 (39.00)	1.323 (33.60)
10	1.701 (43.20)	1.488 (37.80)
11	1.866 (47.40)	1.654 (42.00)
12	2.031 (51.60)	1.819 (46.20)



LOCK OPTION

POSITIVE LOCK PASSIVE LOCK



LEGEND:

5566 - N * * * * *

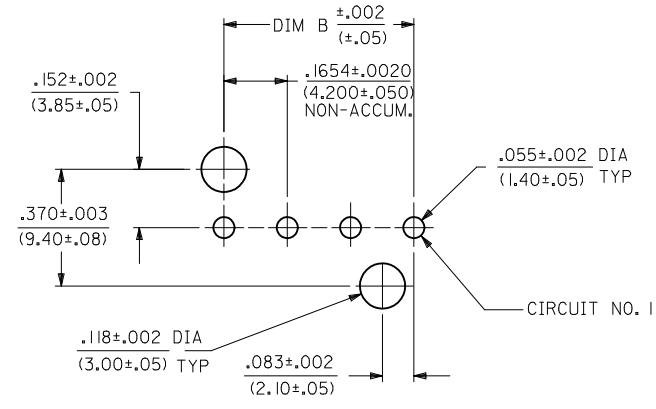
CIRCUIT SIZE (04-12)

ASSEMBLY TYPE
A=W/O DRAIN HOLES
B=WITH DRAIN HOLES

PEG AND LOCK OPTION
3=MTG. PEGS, POSITIVE LOCK
4=MTG. PEGS, PASSIVE LOCK

PLATING (SEE NOTE 2)

HOUSING MAT'L (SEE NOTE 1)



RECOMMENDED HOLE LAYOUT FOR .070/(1.78) MAX. THICK P. C. BOARD VIEWED FROM COMPONENT SIDE

4	M
3	M
2	K1
1	M
SHEET REV	

ADD PART #S EC NO: UCP2010-1922 DRWN: RBENES 2009/02/10 CHKD: BELL 2010/02/12 APPR: FSMITH 2010/02/15	QUALITY SYMBOLS ▽=0 ▽=0	GENERAL TOLERANCES (UNLESS SPECIFIED)	DIMENSION STYLE IN/MM	SCALE 1:1	DESIGN UNITS METRIC	THIRD ANGLE PROJECTION
		4 PLACES ± --- ± --- 3 PLACES ± --- ± .015 2 PLACES ± 0.38 ± --- 1 PLACE ± --- ± --- ANGULAR ± 1/2°	DRAWN BY KSS DATE 1989/02/19	CHECKED BY JTR DATE 1989/02/19	APPROVED BY RAS DATE 1989/02/19	MATERIAL NO. SEE CHART
DRAFT WHERE APPLICABLE MUST REMAIN WITHIN DIMENSIONS						
THIS DRAWING CONTAINS INFORMATION THAT IS PROPRIETARY TO MOLEX INCORPORATED AND SHOULD NOT BE USED WITHOUT WRITTEN PERMISSION						

A	B	C	D	E	F	G	H	I	J
		POSITIVE LOCK WITH MTG. PEGS, 94V-2 HOUSING MATERIAL			PASSIVE LOCK WITH MTG. PEGS, 94V-2 HOUSING MATERIAL				
		PART NO	ENG NO	CKT DRAIN SIZE/HOLE	PLATING OPTION	PART NO	ENG NO	CKT DRAIN SIZE/HOLE	PLATING OPTION
		39-30-2045	5566-04B3	4	YES TIN OVER COPPER				
		39-30-2055	5566-05B3	5	YES TIN OVER COPPER				
		39-30-2065	5566-06B3	6	YES TIN OVER COPPER				
		39-30-2075	5566-07B3	7	YES TIN OVER COPPER				
		39-30-2085	5566-08B3	8	YES TIN OVER COPPER				
		39-30-2095	5566-09B3	9	YES TIN OVER COPPER				
		39-30-2105	5566-10B3	10	YES TIN OVER COPPER				
		39-30-2115	5566-11B3	11	YES TIN OVER COPPER				
		39-30-2125	5566-12B3	12	YES TIN OVER COPPER				
		39-30-1049	5566-04A3	4	NO TIN OVER COPPER				
		39-30-1059	5566-05A3	5	NO TIN OVER COPPER				
		39-30-1069	5566-06A3	6	NO TIN OVER COPPER				
		39-30-1079	5566-07A3	7	NO TIN OVER COPPER				
		39-30-1089	5566-08A3	8	NO TIN OVER COPPER				
		39-03-1099	5566-09A3	9	NO TIN OVER COPPER				
		39-30-1109	5566-10A3	10	NO TIN OVER COPPER				
		39-30-1119	5566-11A3	11	NO TIN OVER COPPER				
		39-30-1129	5566-12A3	12	NO TIN OVER COPPER				
		39-30-2047	5566-04B3GS	4	YES 30 MI. SELECT GOLD				
		39-30-2057	5566-05B3GS	5	YES 30 MI. SELECT GOLD				
		39-30-2067	5566-06B3GS	6	YES 30 MI. SELECT GOLD				
		39-30-2077	5566-07B3GS	7	YES 30 MI. SELECT GOLD				
		39-30-2087	5566-08B3GS	8	YES 30 MI. SELECT GOLD				
		39-30-2097	5566-09B3GS	9	YES 30 MI. SELECT GOLD				
		39-30-2107	5566-10B3GS	10	YES 30 MI. SELECT GOLD				
		39-30-2117	5566-11B3GS	11	YES 30 MI. SELECT GOLD				
		39-30-2127	5566-12B3GS	12	YES 30 MI. SELECT GOLD				
		39-30-2041	5566-04A3GS	4	NO 30 MI. SELECT GOLD				
		39-30-2051	5566-05A3GS	5	NO 30 MI. SELECT GOLD				
		39-30-2061	5566-06A3GS	6	NO 30 MI. SELECT GOLD				
		39-30-2071	5566-07A3GS	7	NO 30 MI. SELECT GOLD				
		39-30-2081	5566-08A3GS	8	NO 30 MI. SELECT GOLD				
		39-30-2091	5566-09A3GS	9	NO 30 MI. SELECT GOLD				
		39-30-2101	5566-10A3GS	10	NO 30 MI. SELECT GOLD				
		39-30-2111	5566-11A3GS	11	NO 30 MI. SELECT GOLD				
		39-30-2121	5566-12A3GS	12	NO 30 MI. SELECT GOLD				

SEE SHEET 1
FC NO: UCP2006-1990 2006/02/28
DRAWN:ADRAINOL 2006/02/28
CHKD:HPOLGAR 2006/02/28
APPR:ICOMERCI 2006/02/28

QUALITY SYMBOLS
DESCRIPTION

GENERAL TOLERANCES (UNLESS SPECIFIED)

	mm	INCH
4 PLACES	± .005	± .0004
3 PLACES	± .003	± .0001
2 PLACES	± .002	± .00005
1 PLACE	± .001	± .00002
ANGULAR ± .1°		

DIMENSION STYLE IN/MM
DRAWN BY DATE
GEP 1989/07/13
CHECKED BY DATE
RJF 1989/07/13
APPROVED BY DATE
RAS 1989/07/13

SCALE ---
DESIGN UNITS METRIC
THIRD ANGLE PROJECTION

VERTICAL HEADER ASSY
W/ PEG AND DRAIN OPTIONS
MINI-FIT JR SINGLE ROW
Molex MOLEX INCORPORATED
MATERIAL NO. SDA-5566-NL*
DOCUMENT NO.
SHEET NO. 2 OF 4

A	B	C	D	E	F	G	H	I	J
		POSITIVE LOCK WITH MTG. PEGS, 94V-0 HOUSING MATERIAL			PASSIVE LOCK WITH MTG. PEGS, 94V-0 HOUSING MATERIAL				
		PART NO	ENG NO	CKT DRAIN SIZE/HOLE	PLATING OPTION	PART NO	ENG NO	CKT DRAIN SIZE/HOLE	PLATING OPTION
		39-30-2046	5566-04B3-210	4	YES TIN OVER COPPER				
		39-30-2056	5566-05B3-210	5	YES TIN OVER COPPER				
		39-30-2066	5566-06B3-210	6	YES TIN OVER COPPER				
		39-30-2076	5566-07B3-210	7	YES TIN OVER COPPER				
		39-30-2086	5566-08B3-210	8	YES TIN OVER COPPER				
		39-30-2096	5566-09B3-210	9	YES TIN OVER COPPER				
		39-30-2106	5566-10B3-210	10	YES TIN OVER COPPER				
		39-30-2116	5566-11B3-210	11	YES TIN OVER COPPER				
		39-30-2126	5566-12B3-210	12	YES TIN OVER COPPER				
		39-30-2040	5566-04A3-210	4	NO TIN OVER COPPER				
		39-30-2050	5566-05A3-210	5	NO TIN OVER COPPER				
		39-30-2060	5566-06A3-210	6	NO TIN OVER COPPER				
		39-30-2070	5566-07A3-210	7	NO TIN OVER COPPER				
		39-30-2080	5566-08A3-210	8	NO TIN OVER COPPER				
		39-30-2090	5566-09A3-210	9	NO TIN OVER COPPER				
		39-30-2100	5566-10A3-210	10	NO TIN OVER COPPER				
		39-30-2110	5566-11A3-210	11	NO TIN OVER COPPER				
		39-30-2120	5566-12A3-210	12	NO TIN OVER COPPER				
		39-30-2048	5566-04B3GS-210	4	YES 30 MI. SELECT GOLD				
		39-30-2058	5566-05B3GS-210	5	YES 30 MI. SELECT GOLD				
		39-30-2068	5566-06B3GS-210	6	YES 30 MI. SELECT GOLD				
		39-30-2078	5566-07B3GS-210	7	YES 30 MI. SELECT GOLD				
		39-30-2088	5566-08B3GS-210	8	YES 30 MI. SELECT GOLD				
		39-30-2098	5566-09B3GS-210	9	YES 30 MI. SELECT GOLD				
		39-30-2108	5566-10B3GS-210	10	YES 30 MI. SELECT GOLD				
		39-30-2118	5566-11B3GS-210	11	YES 30 MI. SELECT GOLD				
		39-30-2128	5566-12B3GS-210	12	YES 30 MI. SELECT GOLD				
		39-30-2042	5566-04A3GS-210	4	NO 30 MI. SELECT GOLD				
		39-30-2052	5566-05A3GS-210	5	NO 30 MI. SELECT GOLD				
		39-30-2062	5566-06A3GS-210	6	NO 30 MI. SELECT GOLD				
		39-30-2072	5566-07A3GS-210	7	NO 30 MI. SELECT GOLD				
		39-30-2082	5566-08A3GS-210	8	NO 30 MI. SELECT GOLD				
		39-30-2092	5566-09A3GS-210	9	NO 30 MI. SELECT GOLD				
		39-30-2102	5566-10A3GS-210	10	NO 30 MI. SELECT GOLD				
		39-30-2112	5566-11A3GS-210	11	NO 30 MI. SELECT GOLD				
		39-30-2122	5566-12A3GS-210	12	NO 30 MI. SELECT GOLD				

13	PASSIVE LOCK WITH MTG. PEGS, 94V-2 BLACK HOUSING		
12	POSITIVE LOCK WITH MTG. PEGS, 94V-2 BLACK HOUSING		
11	POSITIVE LOCK WITH MTG. PEGS, 94V-2 BLACK HOUSING		
10	POSITIVE LOCK WITH MTG. PEGS, 94V-2 BLACK HOUSING		
9	POSITIVE LOCK WITH MTG. PEGS, 94V-2 BLACK HOUSING		
8	POSITIVE LOCK WITH MTG. PEGS, 94V-2 BLACK HOUSING		
7	POSITIVE LOCK WITH MTG. PEGS, 94V-2 BLACK HOUSING		
6	PASSIVE LOCK WITH MTG. PEGS, 94V-2 HOUSING MATERIAL		
5	PASSIVE LOCK WITH MTG. PEGS, 94V-2 HOUSING MATERIAL		
4	PASSIVE LOCK WITH MTG. PEGS, 94V-2 HOUSING MATERIAL		
3	PASSIVE LOCK WITH MTG. PEGS, 94V-2 HOUSING MATERIAL		
2	PASSIVE LOCK WITH MTG. PEGS, 94V-2 HOUSING MATERIAL		
1	PASSIVE LOCK WITH MTG. PEGS, 94V-2 HOUSING MATERIAL		

PART NO	ENG NO	CKT DRAIN SIZE HOLE	PLATING OPTION
50-29-1528	5566-04A3-BL	04 NO	TIN OVER COPPER
50-29-1529	5566-05A3-BL	05 NO	TIN OVER COPPER
50-29-1530	5566-06A3-BL	06 NO	TIN OVER COPPER
50-29-1531	5566-07A3-BL	07 NO	TIN OVER COPPER
50-29-1532	5566-08A3-BL	08 NO	TIN OVER COPPER
50-29-1533	5566-09A3-BL	09 NO	TIN OVER COPPER
50-29-1534	5566-10A3-BL	10 NO	TIN OVER COPPER
50-29-1535	5566-11A3-BL	11 NO	TIN OVER COPPER
50-29-1536	5566-12A3-BL	12 NO	TIN OVER COPPER
26-01-3162	5566-04A3S-BL	04 NO	TIN OVER NICKEL
26-01-3163	5566-05A3S-BL	05 NO	TIN OVER NICKEL
		06	
		07	
		08	
		09	
		10	
		11	
		12	
		04	
		05	
		06	
		07	
		08	
		09	
		10	
		11	
		12	
		04	
		05	
		06	
		07	
		08	
		09	
		10	
		11	
		12	
		04	
		05	
		06	
		07	
		08	
		09	
		10	
		11	
		12	

PART NO	ENG NO	CKT DRAIN SIZE HOLE
		04
		05
		06
		07
		08
		09
		10
		11
		12
		04
		05
		06
		07
		08
		09
		10
		11
		12
		04
		05
		06
		07
		08
		09
		10
		11
		12

SEE SHEET 1
EC NO: UCP2010-1922
DRAWN: RBENES 2009/02/12
CHKD: JBELLE 2010/02/12
APPR: FSMITH 2010/02/15

REV	DESCRIPTION
M	

QUALITY SYMBOLS	DESCRIPTION
	=0
	=0

GENERAL TOLERANCES (UNLESS SPECIFIED)

	mm	INCH
4 PLACES	± .010	± .0004
3 PLACES	± .008	± .0003
2 PLACES	± .006	± .0002
1 PLACE	± .004	± .0001
ANGULAR	± .0001°	

DRAFT WHERE APPLICABLE
MUST REMAIN WITHIN DIMENSIONS

DIMENSION STYLE	
IN/MM	
DRAWN BY	DATE
GEP	1989/07/13
CHECKED BY	DATE
RJF	1989/07/13
APPROVED BY	DATE
RAS	1989/07/13
MATERIAL NO.	
SEE CHART	

SCALE	
1:1	
DESIGN UNITS	
METRIC	
THIRD ANGLE PROJECTION	

TITLE
VERTICAL HEADER ASSY
W/ PEG AND DRAIN OPTIONS
MINI-FIT JR SINGLE ROW

MATERIAL NO. SEE CHART
DOCUMENT NO. SDA-5566-NL*
SHEET NO. 3 OF 4

THIS DRAWING CONTAINS INFORMATION THAT IS PROPRIETARY TO MOLEX INCORPORATED AND SHOULD NOT BE USED WITHOUT WRITTEN PERMISSION

MOLEX MOLEX INCORPORATED

PART NO	ENG NO	CKT DRAIN SIZE HOLE	PLATING OPTION
39-30-5049	5566-04B3S	04 YES	TIN OVER NICKEL
NO EDP	5566-05B3S	05 YES	TIN OVER NICKEL
NO EDP	5566-06B3S	06 YES	TIN OVER NICKEL
NO EDP	5566-07B3S	07 YES	TIN OVER NICKEL
NO EDP	5566-08B3S	08 YES	TIN OVER NICKEL
NO EDP	5566-09B3S	09 YES	TIN OVER NICKEL
NO EDP	5566-10B3S	10 YES	TIN OVER NICKEL
NO EDP	5566-11B3S	11 YES	TIN OVER NICKEL
NO EDP	5566-12B3S	12 YES	TIN OVER NICKEL
50-36-2453	5566-04A3S	04 NO	TIN OVER NICKEL
50-36-2454	5566-05A3S	05 NO	TIN OVER NICKEL
		06	
		07	
		08	
		09	
		10	
		11	
		12	
		04	
		05	
		06	
		07	
		08	
		09	
		10	
		11	
		12	
		04	
		05	
		06	
		07	
		08	
		09	
		10	
		11	
		12	
		04	
		05	
		06	
		07	
		08	
		09	
		10	
		11	
		12	
		04	
		05	
		06	
		07	
		08	
		09	
		10	
		11	
		12	
		04	
		05	
		06	
		07	
		08	
		09	
		10	
		11	
		12	
		04	
		05	
		06	
		07	
		08	
		09	
		10	
		11	
		12	