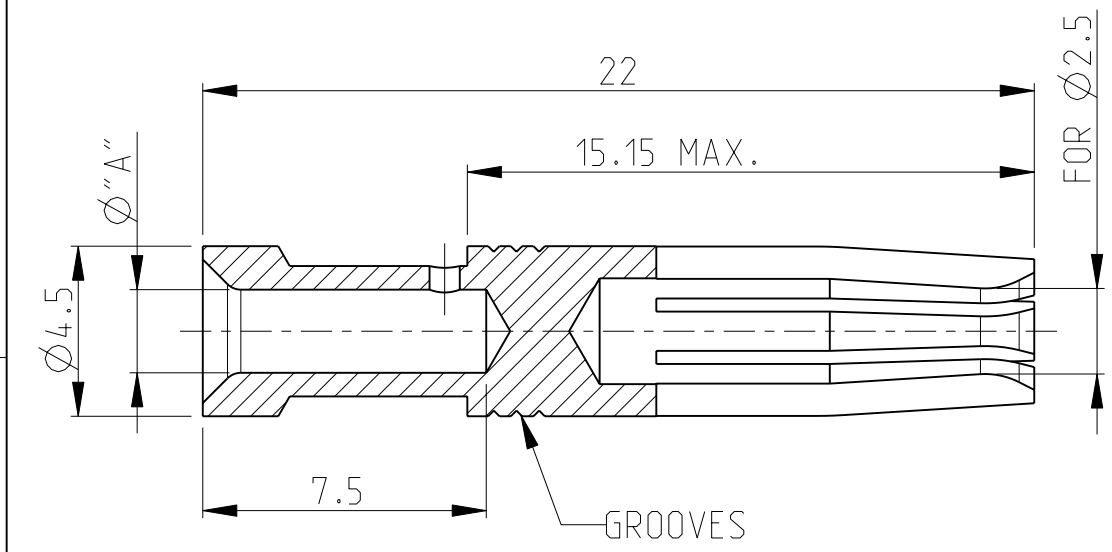


THIS DRAWING IS UNPUBLISHED. RELEASED FOR PUBLICATION 2006
 © COPYRIGHT 2006 BY TYCO ELECTRONICS CORPORATION. ALL RIGHTS RESERVED.

LOC		DIST		REVISIONS					
A1				P	LTR	DESCRIPTION	DATE	DWN	APVD
					J3	Released Asper ECR-09-005436	09-Mar-2009	CJ	TS



- Notes
- 1 MATERIAL: BRASS
 - 2 FINISH SILVER PLATING: 2 µm Ag MIN. OVER Cu
 - 3 FINISH GOLD PLATING: 0.75 µm Au MIN. OVER Ni
 - 4 FINISH TIN PLATING: 0.6 µm Sn. MIN. OVER Cu
 - 5 NO VENTILATION HOLE REQUIRED AT CROSS-SECTION >4.0 MM²
 - 6 WEIGHT: 0.00160 kg, PER PIECE (APPROX.)
 - 7 PACKAGING: 50 PIECES IN POLYBAG
 - 8 PACKAGING: 500 PIECES IN POLYBAG & CARTON
 - 9 PACKAGING: 20000 PIECES IN POLYBAGS & CARTONS
 - 10 SUITABLE PIN CONTACT: PN 1105100
 - 11 SUITABLE INSERTS: SERIES HA, HE, HVE, HVS
 - 12 SUITABLE CRIMP TOOL: PN 1-1105851-8
 - 13 SUITABLE INSERTION TOOL: PN 0-1102855-6
 - 14 SUITABLE EXTRACTION TOOL: PN 0-1102855-7
 - 15 STANDARDS: DIN EN 61984, DIN EN 60664-1

				7		8		9	
HE/HA-C-Bu.Sn	4,0mm ²	TIN 4	4.0	2.8	-	-	5-0	5-3	
HE/HA-C-Bu.Sn	2,5mm ²		2.5	2.2	3	-	4-0	4-3	
HE/HA-C-Bu.Sn	1,5mm ²		1.5	1.7	2	-	3-0	3-3	
HE/HA-C-Bu.Au	4,0mm ²	GOLD 3	4.0	2.8	-	5-2	5-9	-	
HE/HA-C-Bu.Au	2,5mm ²		2.5	2.2	3	4-2	4-9	-	
HE/HA-C-Bu.Au	1,5mm ²		1.5	1.7	2	3-2	3-9	-	
HE/HA-C-Bu.Au	0,75-1,0mm ²	SILVER 2	0.75-1.0	1.4	1	2-2	2-9	-	
HE/HA-C-Bu.Au	0,5mm ²		0.5	1.1	-	1-2	1-9	-	
HE/HA-C-Bu.Au	0,14-0,37mm ²		0.14-0.37	0.9	3	6-2	6-9	-	
HE/HA-C-Bu.Ag	4,0mm ²	SILVER 2	4.0	2.8	-	5-1	5-8	-	
HE/HA-C-Bu.Ag	2,5mm ²		2.5	2.2	3	4-1	4-8	-	
HE/HA-C-Bu.Ag	1,5mm ²		1.5	1.7	2	3-1	3-8	-	
HE/HA-C-Bu.Ag	0,75-1,0mm ²	SILVER 2	0.75-1.0	1.4	1	2-1	2-8	-	
HE/HA-C-Bu.Ag	0,5mm ²		0.5	1.1	-	1-1	1-8	-	
HE/HA-C-Bu.Ag	0,14-0,37mm ²		0.14-0.37	0.9	3	6-1	6-8	-	
	[MM ²]		"A"		NO.OF GROOVES	P.U.=50	P.U.=500	P.U.=20000	
ORDERING TEXT	PLATING	CROSS SECTION	DIMS	MARKINGS	PACKAGING UNIT				
PARTS LIST									

THIS DRAWING IS A CONTROLLED DOCUMENT FOR TYCO ELECTRONICS CORPORATION IT IS SUBJECT TO CHANGE AND THE CONTROLLING ENGINEERING ORGANIZATION SHOULD BE CONTACTED FOR THE LATEST REVISION.		DWN 20SEP2007 G.WROBLEWSKI		Tyco Electronics, AMP.GmbH 53757 Sankt Augustin, Germany	
DIMENSIONS: mm		TOLERANCES UNLESS OTHERWISE SPECIFIED: ISO 8075 DIN ISO 2768 mH-E DIN 16901-120		CHK 20SEP2007 H.BRAUN	
		APVD 20SEP2007 T.SCHNURPFIL		NAME SOCKET CONTACT SERIES HA, HE, HVE	
MATERIAL 1		FINISH 2 3 4		PRODUCT SPEC 108-74004	
				APPLICATION SPEC 114-74003	
				WEIGHT A3 00779 ©=1105101	
CUSTOMER DRAWING				RESTRICTED TO	
SCALE 5:1				SHEET 1 OF 1	
REV J3					