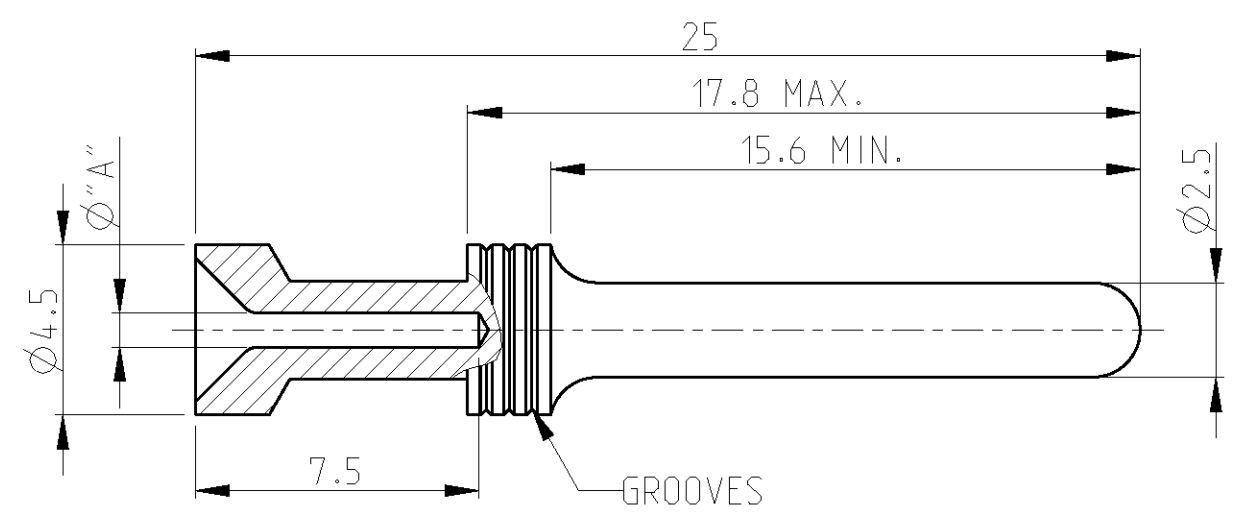


THIS DRAWING IS UNPUBLISHED. RELEASED FOR PUBLICATION 2006
 © COPYRIGHT 2006 BY TYCO ELECTRONICS CORPORATION. ALL RIGHTS RESERVED.

LOC	DIST	REVISIONS			
P	LTR	DESCRIPTION	DATE	DWN	APVD
A1	-	H1	REWORKED PER ECR-020581	29AUG2007	BR ST
		J1	CHANGE PER ECR-07-029571	07DEC2007	SR BR
		J2	ECR-09-005436	11MAR2010	VG MH
		J3	ECR-10-007735	25AUG10	RK SRE



Notes

- 1 MATERIAL: BRASS
- 2 FINISH SILVER PLATING: 2 μm Ag MIN. OVER Cu
- 3 FINISH GOLD PLATING: 0.75 μm Au MIN. OVER Ni
- 4 FINISH TIN PLATING: 0.6 μm Sn MIN. OVER Cu
- 5 NO VENTILATION HOLE REQUIRED AT CROSS-SECTION >4.0 MM²
- 6 WEIGHT: 1.35 g. PER PIECE (APPROX.)
- 7 PACKAGING: 50 PIECES IN POLYBAG
- 8 PACKAGING: 500 PIECES IN POLYBAG & CARTON
- 9 PACKAGING: 5000 PIECES IN POLYBAG & CARTON
- 10 PACKAGING: 20000 PIECES IN POLYBAGS & CARTONS
- 11 SUITABLE SOCKET CONTACT: CUSTOMER DRAWING 1105101
- 12 SUITABLE INSERTS: SERIES HA, HE, HVE, HVS, CUSTOMER DRAWING
- 13 SUITABLE CRIMP TOOL: PN 1-1105851-8
- 14 SUITABLE INSERTION TOOL: PN 0-1102855-6
- 15 SUITABLE EXTRACTION TOOL: PN 0-1102855-7
- 16 STANDARDS: DIN EN 61984, DIN EN 60664-1

17 OBSOLETE

HE/HA-C-Sti.Sn	CROSS SECTION	TIN	4	7	8	9	10
4.0mm ²	4.0	2.8	-	-	5-0	-	5-3
2.5mm ²	2.5	2.2	3	-	4-0	-	4-3
1.5mm ²	1.5	1.7	2	-	3-0	-	3-3
HE/HA-C-Sti.Au	4.0mm ²	4.0	2.8	-	5-2	5-9	-
2.5mm ²	2.5	2.2	3	4-2	4-9	-	-
1.5mm ²	1.5	1.7	2	3-2	3-9	-	-
HE/HA-C-Sti.Au	0.75-1.0mm ²	0.75-1.0	1.4	1	2-2	2-9	-
0.5mm ²	0.5	1.1	-	1-2	1-9	-	-
HE/HA-C-Sti.Au	0.14-0.37mm ²	0.14-0.37	0.9	3	6-2	6-9	-
HE/HA-C-Sti.Ag	4.0mm ²	4.0	2.8	-	5-1	5-8	-
2.5mm ²	2.5	2.2	3	4-1	4-8	7-1	-
1.5mm ²	1.5	1.7	2	3-1	3-8	17	-
HE/HA-C-Sti.Ag	0.75-1.0mm ²	0.75-1.0	1.4	1	2-1	2-8	-
0.5mm ²	0.5	1.1	-	1-1	1-8	-	-
HE/HA-C-Sti.Ag	0.14-0.37mm ²	0.14-0.37	0.9	3	6-1	6-8	-
	[MM ²]	"A"	NO.OF GROOVES	P.U.=50	P.U.=500	P.U.=5000	P.U.=20000
ORDERING TEXT	PLATING	CROSS SECTION	DIMS	PACKAGING UNIT			
			MARKINGS	BAG	BOX	BOX	BOX

PARTS LIST

THIS DRAWING IS A CONTROLLED DOCUMENT FOR TYCO ELECTRONICS CORPORATION IT IS SUBJECT TO CHANGE AND THE CONTROLLING ENGINEERING ORGANIZATION SHOULD BE CONTACTED FOR THE LATEST REVISION.		DWN H.BRAUN 21Apr2010 CHK - APVD T.SCHNURPFIL 29AUG2007 PRODUCT SPEC 108-74004 APPLICATION SPEC 114-74003 WEIGHT -	Tyco Electronics AMP GmbH 53757 Sankt Augustin (Germany)
DIMENSIONS: mm 	TOLERANCES UNLESS OTHERWISE SPECIFIED: 0 PLC ± 1 PLC ± 2 PLC ± 3 PLC ± 4 PLC ± ANGLES ±0.5°	NAME PIN CONTACT SERIES HA, HE, HVE SIZE A3 CAGE CODE 00779 DRAWING NO C=1105100 RESTRICTED TO -	CUSTOMER DRAWING SCALE 5:1 SHEET 1 OF 1 REV J3