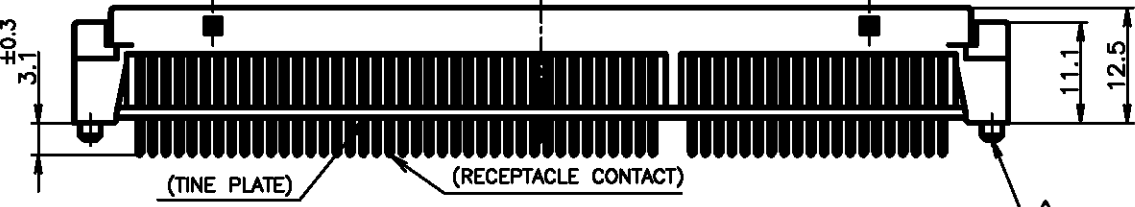
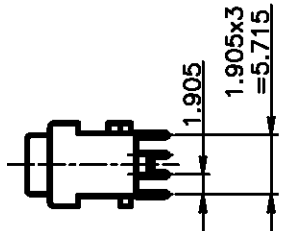
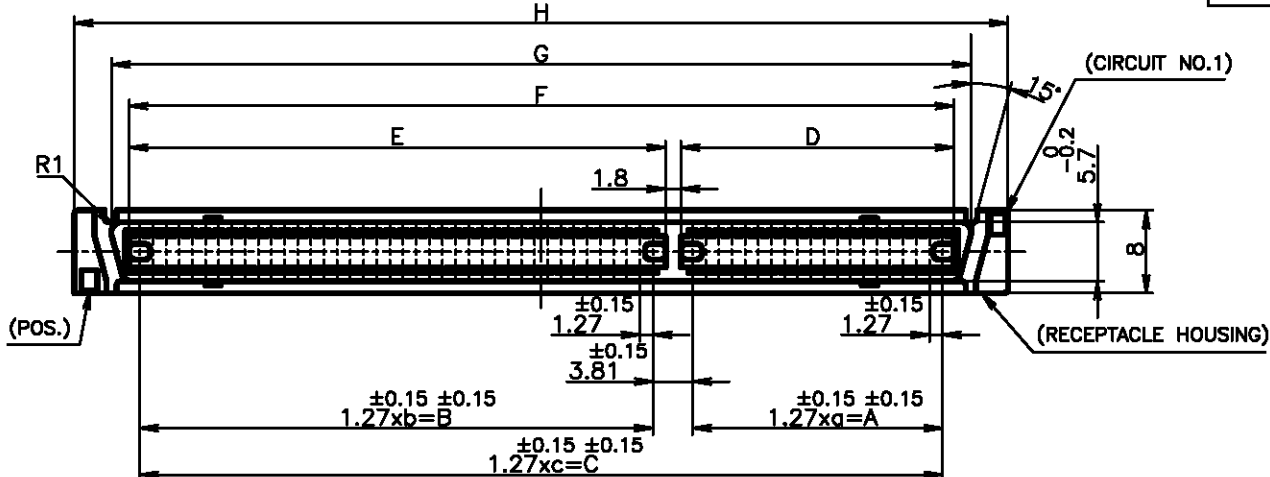
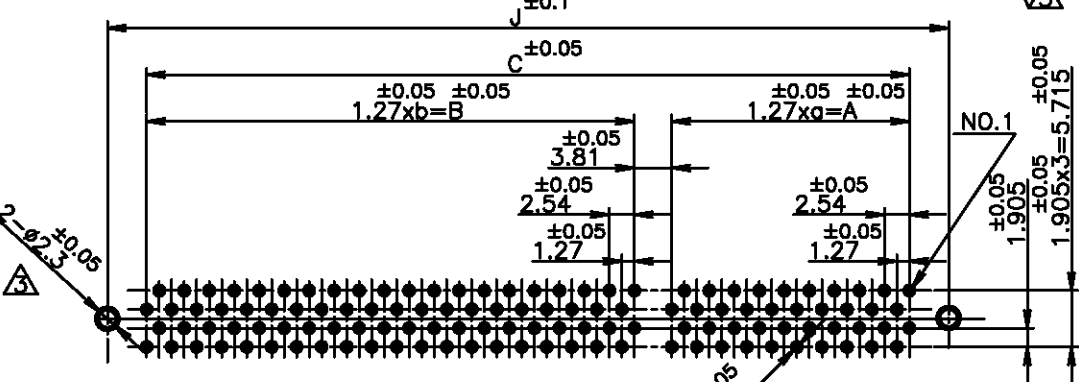


THIS DRAWING IS UNPUBLISHED. RELEASED FOR PUBLICATION AUG, 1988.
 © COPYRIGHT 1989 BY TYCO ELECTRONICS CORPORATION. ALL RIGHTS RESERVED.

LOC	DIST	REVISIONS					
ES	00	P	LTR	DESCRIPTION	DATE	DRN	APVD
		0		RELEASE	FJBO-0884-04	31AUG04	R.H I.E



- △ MATERIAL: HOUSING: GLASS FILLED 66NYLON (UL94V-0) BLACK
CONTACT: PHOSPHOR-BRONZE
- △ FINISH: CONTACT: 0.0003, MIN. Au AT CONTACT AREA,
0.001MIN. TIN AT TINE, OVER NI
- △ BOSS FOR POSITIONING: P/N -1, -2, -3, -4



180	39	49.53	49	62.23	—	115.57	51.53	64.23	117.57	120.66	128.19	125.54	—	—8
140	29	36.83	39	49.53	—	90.17	38.83	51.53	92.17	95.26	102.79	100.14	—	—6
100	—	—	—	—	49	62.23	—	—	64.23	67.32	74.85	72.2	—	—4
80	—	—	—	—	39	49.53	—	—	51.53	54.62	62.15	59.5	—	—3
60	—	—	—	—	29	36.83	—	—	38.83	41.92	49.45	46.8	—	—2
40	—	—	—	—	19	24.13	—	—	26.13	29.22	36.75	34.1	5176375-1	—
POS.	a	A	b	B	c	C	D	E	F	G	H	J	P/N	

P.C. BOARD LAYOUT
(CONNECTOR MOUNT SIDE)

LEAD FREE

GENERAL TOLERANCE
 10 ≥ : ±0.2
 30 ≥ > 10: ±0.25
 100 ≥ > 30: ±0.3
 ANGLES: ±3°

THIS DRAWING IS A CONTROLLED DOCUMENT.

DRN	ROY HAO	31AUG04
CHK	STEVEN YAO	31AUG04
APVD	I. ENOMOTO	31AUG04

Tyco Electronics AMP K.K.
Kawasaki, Japan

AMP FH CONNECTOR RECEPTACLE (VERTICAL)

SIZE	CAGE CODE	DRAWING NO	RESTRICTED TO
A3	00779	C=5176375	

CUSTOMER DRAWING SCALE 2:1 SHEET 1 OF 1 REV 0