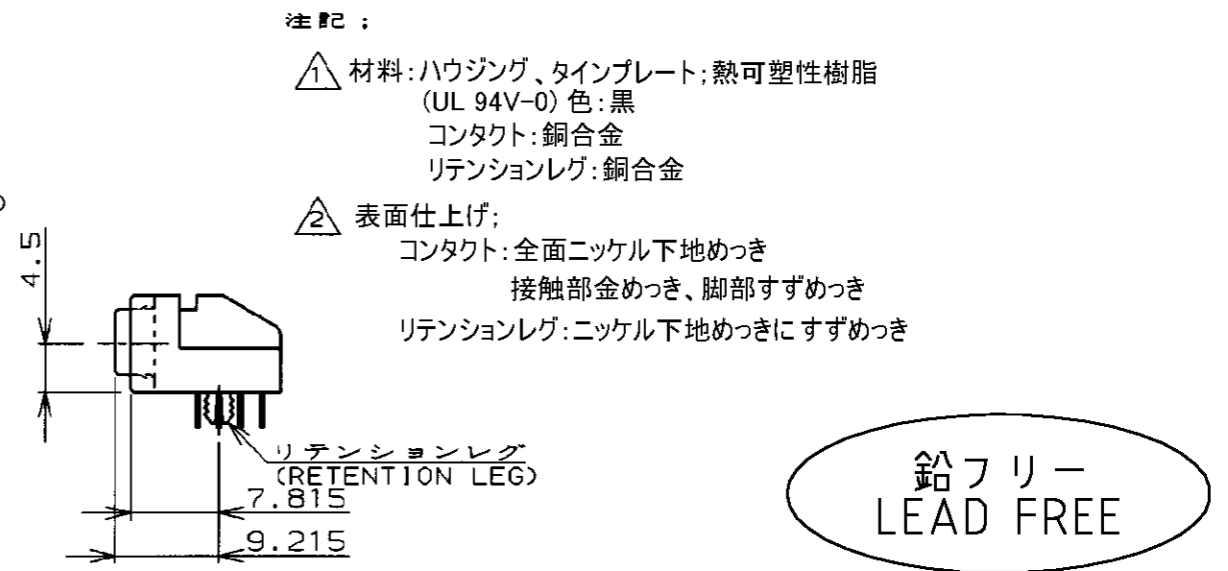
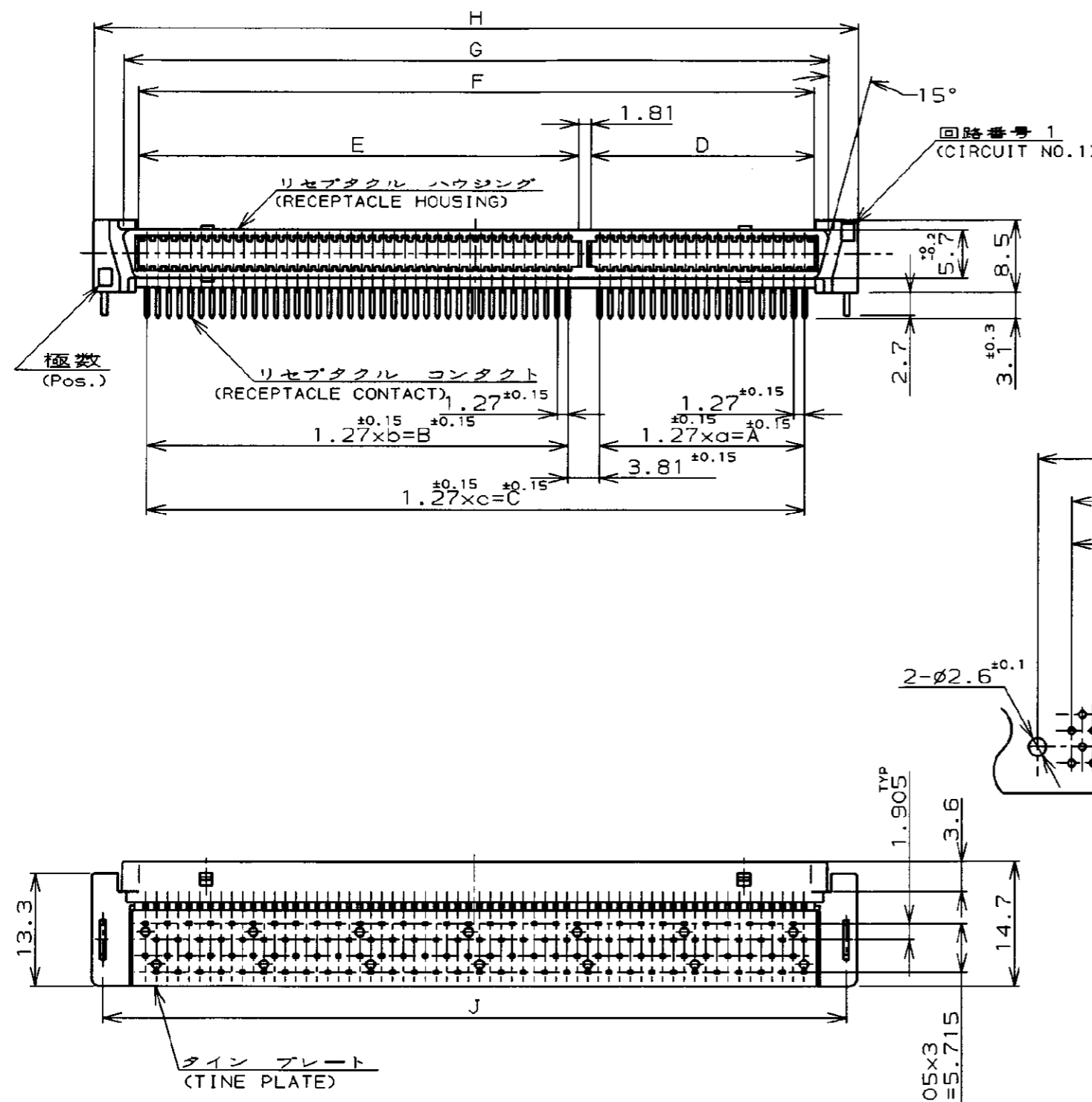


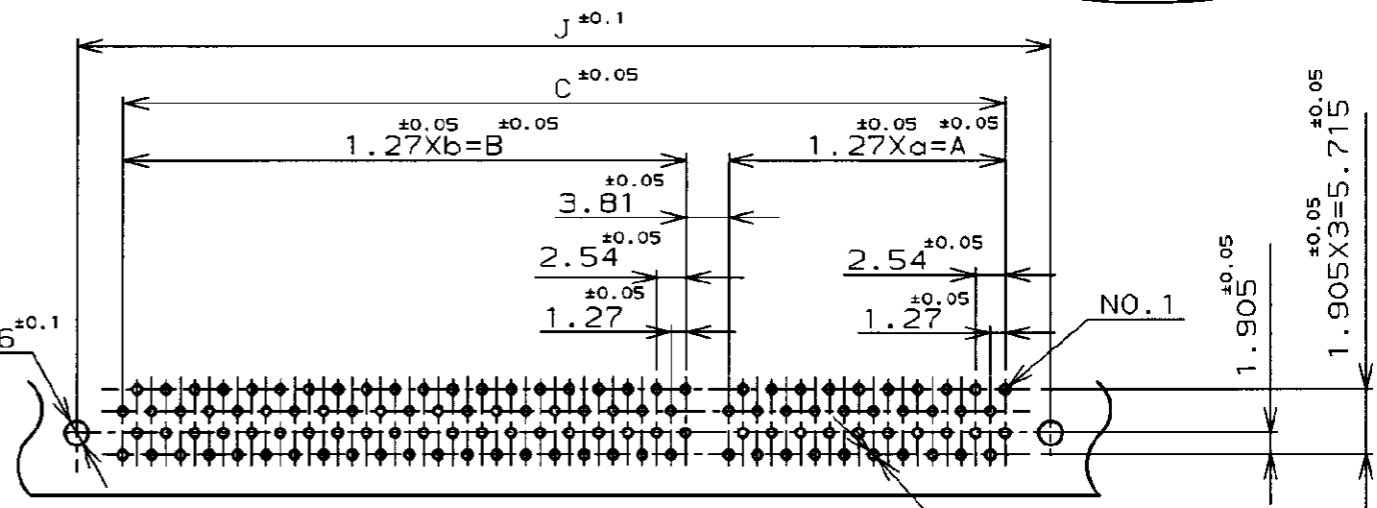
NUMBER C-5176379
METRIC

PRINT DIST
DIMENSIONS IN MILLIMETERS. DO NOT SCALE PRINT



注記:
 ① 材料:ハウジング、タインプレート;熱可塑性樹脂 (UL 94V-0) 色:黒
 コンタクト:銅合金
 リテンションレグ:銅合金
 ② 表面仕上げ:
 コンタクト:全面ニッケル下地めっき
 接触部金めっき、脚部すずめっき
 リテンションレグ:ニッケル下地めっきにすずめっき

鉛フリー
LEAD FREE



180	39	49.53	49	62.23	—	115.57	51.53	64.23	117.57	20.66	28.19	25.54	—	-8
160	29	36.83	49	62.23	—	102.87	38.83	64.23	104.87	107.96	15.49	12.84	—	-7
140	29	36.83	39	49.53	—	90.17	38.83	51.53	92.17	95.26	102.79	100.14	—	-6
120	19	24.13	39	49.53	—	77.47	26.13	51.53	79.47	82.56	90.09	87.44	—	-5
100	—	—	—	—	49	62.23	—	—	64.23	67.32	74.85	72.2	—	-4
80	—	—	—	—	39	49.53	—	—	51.53	54.62	62.15	59.5	—	-3
60	—	—	—	—	29	36.83	—	—	38.83	41.92	49.45	46.8	—	-2
40	—	—	—	—	19	24.13	—	—	26.13	29.22	36.75	34.1	—	5176379-1
Pos.	a	A	b	B	c	C	D	E	F	G	H	J	P/N	

NOTE:
 ① MATERIAL:HOUSING, TINE PLATE;THERMOPLASTICS (UL 94V-0) BLACK
 CONTACT:COPPER ALLOY
 RETENTION LEG:COPPER ALLOY
 ② FINISH:CONTACT:Au AT CONTACT AREA
 TIN AT TINE, OVER Ni
 RETENTION LEG:TIN, OVER Ni

O	RELEASED (FJ60-0582-04)	09JUN04	T.K	IE
LTR	DESCRIPTION	DATE	DWN	APVD

WIRE RANGE		INSULATION DIA		NAME	
mm ² (AWG -)		mmφ		AMP FH CONNECTOR RECEPTACLE WITH RETENTION LEG (HORIZONTAL)	
MATERIAL		FINISH		GENERAL TOLERANCE	
①		②		0<W<10 : ±0.2 10<W<30 : ±0.25 30<W<100 : ±0.3 ANGLES : ±3°	
DE T.KAWAMAE 09JUN04		APP IENOMOTO 09JUN04		SIZE B	LOC J
CHK IENOMOTO 09JUN04		APP IENOMOTO 09JUN04		NUMBER C-5176379	
				SCALE NTS	REV. O
				SHEET 1 OF 1	

CUSTOMER DRAWING