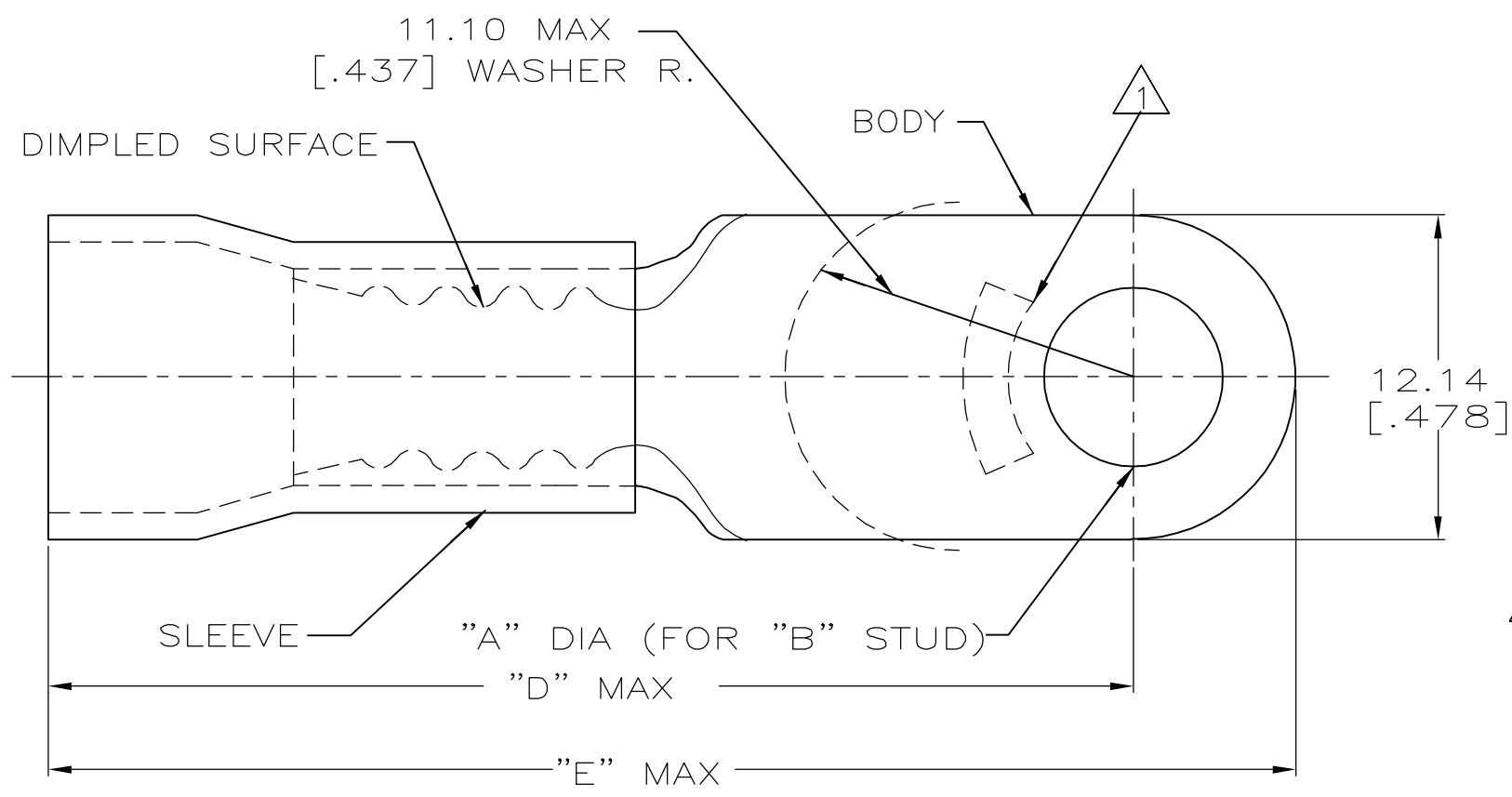


4  
DRAWING MADE IN THIRD ANGLE PROJECTION

THIS DRAWING IS UNPUBLISHED. RELEASED FOR PUBLICATION ,19 .  
© COPYRIGHT 19 BY AMP INCORPORATED. ALL INTERNATIONAL RIGHTS RESERVED.

LOC	DIST	P	F	REVISIONS			DATE	APPD
G	14			ZONE	LTR	DESCRIPTION		
						R1 REV PER ECR 06-001832	25APR06	JR TM

<b>AMP</b> WIRE RANGE	FILE E13288	LR7189 Certified
8 AWG STRANDED	8 AWG STRANDED	8 AWG STRANDED



- NOTE:
1. STAMP AMP 8\* LOCATE APPROX AS SHOWN
  2. TONGUE MATERIAL THK 1.02±0.08 [.040±.003]
  3. SEE TABLE FOR WIRE INSULATION DIA MAX
  4. TAPE ITEMS ARE ON 30.48 [1.200] CENTERS

40.64 [1.600]	34.49 [1.358]	8.38 [.330]	1/4	6.73±0.13 [.265±.005]	25	LOOSE PC, BOX SPL	8-52041-5
40.64 [1.600]	34.49 [1.358]	8.38 [.330]					
40.28 [1.586]	34.14 [1.344]	9.14 [.360]	#8	4.34±0.08 [.171±.003]	500	ON TAPE	52041-9
40.64 [1.600]	34.49 [1.358]	8.38 [.330]					52041-7
40.64 [1.600]	34.49 [1.358]	8.38 [.330]	1/4	6.73±0.13 [.265±.005]	100	LOOSE PC	52041-6
40.28 [1.586]	34.14 [1.344]	9.14 [.360]	#8	4.34±0.08 [.171±.003]			52041-3
							52041-1
							52041

**AMP INCORPORATED**  
**CUSTOMER SERVICE SYSTEMS**

FOR ADDITIONAL PRODUCT INFORMATION OR COPIES OF DRAWINGS AND TECHNICAL DOCUMENTS  
PRODUCT INFORMATION CENTER  
1-800-522-6752

FOR APPLICATION TOOLING ASSISTANCE CENTER  
TOOLING INFORMATION  
1-800-722-1111

FOR ORDER ENTRY  
1-800-526-5142

MAX RECOMMENDED OPERATING TEMPERATURE:  
90° C

VOLTAGE RATING:  
600 V MAX

CIRCULAR MIL AREA:  
6.64-10.54mm<sup>2</sup> [13,100-20,800]  
STRANDED

DO NOT SCALE PRINT. UNLESS SPECIFIED DIMENSIONS IN mm [INCHES] TOLERANCES ON:  
2 PLC DEC ± 0.20[.008]  
3 PLC DEC ± -  
ANGLES ± -

MATERIAL  
COPPER PER ASTM B-152  
PVC, COLOR:RED

FINISH  
TIN PLATE PER ASTM B545

DR 9-28-93  
S.S. GOULDEN  
CHK 9-28-93  
R. HERSEY  
APPD 9-28-93  
B. BARE  
APPD 9-28-93  
M. ELLIS  
PRODUCT SPEC  
NOT AVAILABLE  
APPLICATION SPEC  
NOT AVAILABLE  
WEIGHT -

**AMP** AMP Incorporated  
Harrisburg, PA 17105-3608

NAME  
TERMINAL, RING TONGUE, PLASTI-GRIP, WIRE SIZE:8 AWG

SIZE **B** CAGE CODE 00779 DRAWING NO **C-52041**  
SCALE NTS SHEET 10F 1