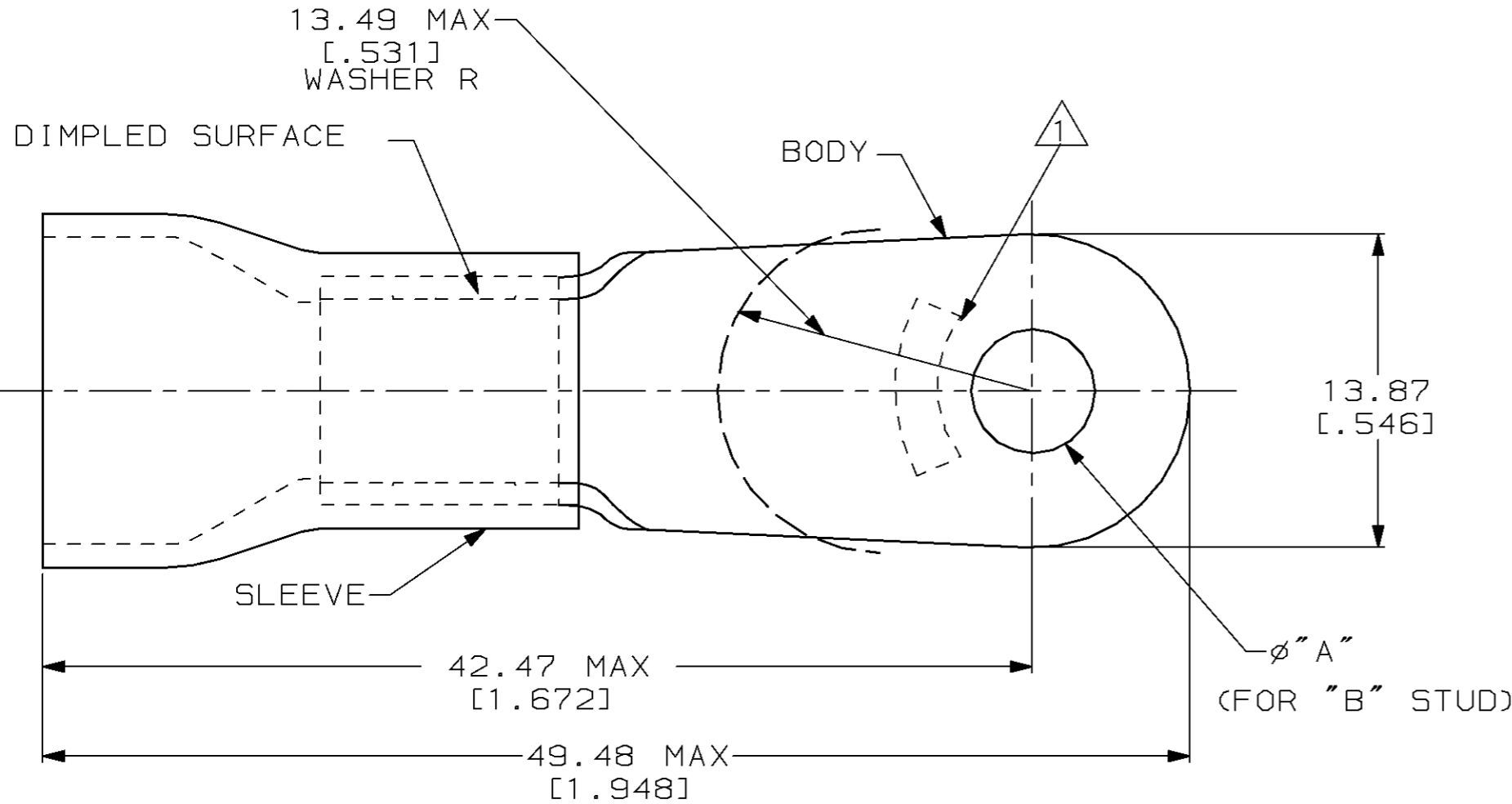


THIS DRAWING IS UNPUBLISHED. RELEASED FOR PUBLICATION, 19 .  
 © COPYRIGHT 19 BY AMP INCORPORATED. ALL INTERNATIONAL RIGHTS RESERVED.

LOC	DIST	P	F	REVISIONS				
G	14			ZONE	LTR	DESCRIPTION	DATE	APPD
					L	REV / 0L20-0041-97	29MAY97	ME BB

<b>AMP</b> WIRE RANGE	<b>RA</b> FILE E13288	<b>SR</b> LR7189 Certified
4 AWG STRANDED	4 AWG STRANDED	4 AWG STRANDED



- ① STAMP AMP 4\* LOCATE APPROX AS SHOWN
- ② TONGUE MATERIAL THK 1.22±0.08 [.048±.003]
- ③ SEE TABLE FOR WIRE INSULATION DIA MAX
- ④ TAPE ITEMS ARE ON 30.48 [1.200] CENTERS
- ⑤ SUPERSEDED BY 8-52043-2

WIRE INSULATION DIA	"B"	"A"	QTY	PACKAGE TYPE	PART NO
11.43 [.450]	1/4	6.73±0.13 [.265±.005]	20	LOOSE PC, BOX SPL	8-52043-5 ⑤
13.08 [.515]	#10	5.00±0.08 [.197±.003]	50	LOOSE PC, BOX	8-52043-2
11.43 [.450]	1/4	6.73±0.13 [.265±.005]	500	ON TAPE	52043-7
13.08 [.515]	#10	5.00±0.08 [.197±.003]	100	LOOSE PC	52043-5
11.43 [.450]	1/4	6.73±0.13 [.265±.005]			52043-4
13.08 [.515]	#10	5.00±0.08 [.197±.003]			52043-3
11.43 [.450]	1/4	6.73±0.13 [.265±.005]			52043-2
13.08 [.515]	#10	5.00±0.08 [.197±.003]			52043-1
					52043

<b>AMP INCORPORATED</b> CUSTOMER SERVICE SYSTEMS		MAX RECOMMENDED OPERATING TEMPERATURE: 90°C	DO NOT SCALE PRINT. UNLESS SPECIFIED DIMENSIONS IN mm [INCHES] TOLERANCES ON: 2 PLC DEC ± 0.20 [.008] 3 PLC DEC ± - ANGLES ± -	DR 9-28-93 S.S. GOULDEN	<b>AMP</b> AMP Incorporated Harrisburg, PA 17105-3608
FOR ADDITIONAL PRODUCT INFORMATION OR COPIES OF DRAWINGS AND TECHNICAL DOCUMENTS	PRODUCT INFORMATION CENTER 1-800-522-6752	VOLTAGE RATING: 600 V MAX	MATERIAL COPPER PER ASTM B-152 PVC, COLOR, YELLOW	CHK 9-28-93 R. HERSEY	
FOR APPLICATION TOOLING INFORMATION	TOOLING ASSISTANCE CENTER 1-800-722-1111	CIRCULAR MIL AREA: 16.77-26.65mm² [33,100-52,600] STRANDED	FINISH TIN PLATE PER MIL-T-10727	APPD 9-28-93 B. BARE	NAME TERMINAL, RING TONGUE, PLASTI-GRIP™, WIRE SIZE, 4 AWG
FOR ORDER ENTRY	1-800-526-5142	THIS DRAWING IS A CONTROLLED DOCUMENT FOR AMP INCORPORATED. IT IS SUBJECT TO CHANGE AND THE CONTROLLING ENGINEERING ORGANIZATION SHOULD BE CONTACTED FOR THE LATEST REVISION.		APPD 9-28-93 M. ELLIS	SIZE <b>B</b> CAGE CODE 00779 DRAWING NO <b>C-52043</b>
				PRODUCT SPEC NOT AVAILABLE	SCALE NTS SHEET 1 OF 1
				APPLICATION SPEC NOT AVAILABLE	
				WEIGHT -	