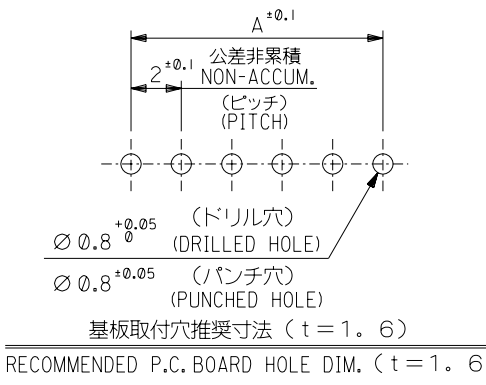
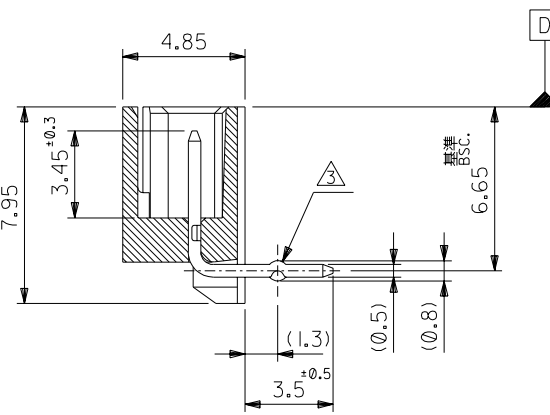
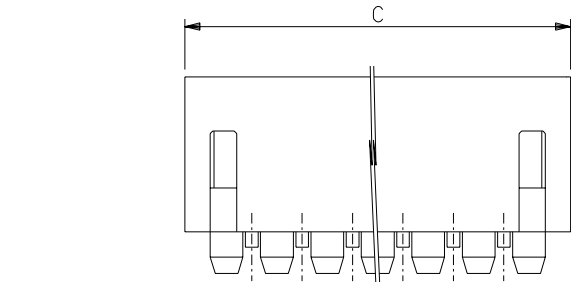
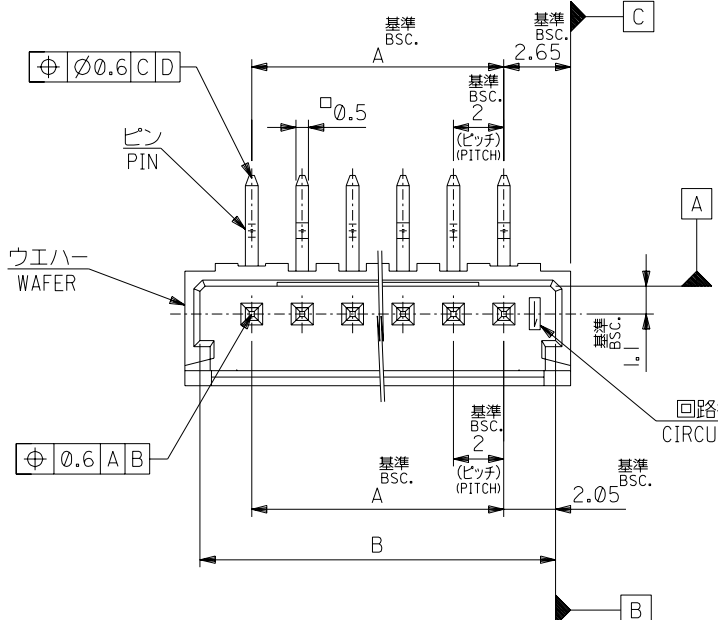


DWG. NO. SD-53325-002



注記 NOTES

1. 嵌合相手: 51090-***00, 52484-***1
MATES WITH
2. 材質 MATERIAL
ウエハー: PBT (ガラス15%入り) UL 94V-0
WAFER: PBT (G.F. 15%), UL 94V-0
ピン: 黄銅, スズメッキ
PIN: BRASS, PRE-TINNED

△ キンクは全ピンに交互に付加。2極はキンク無し。
SET KINK ALTERNATELY TO ALL CIRCUITS.
CIRCUIT 2 HAS NO KINK.

△ 製品番号 MATERIAL NO.
53325-***6*
極数CIRCUIT SIZE 色COLOR

ナチュラル (白) NATURAL (WHITE)	0
赤 RED	2
黄 YELLOW	3
青 BLUE	4

無鉛
LEAD FREE

15	33.3	32.1	28	53325-156*	53325-***6*
14	31.3	30.1	26	-146*	
13	29.3	28.1	24	-136*	
12	27.3	26.1	22	-126*	
11	25.3	24.1	20	-116*	
10	23.3	22.1	18	-106*	
9	21.3	20.1	16	-096*	
8	19.3	18.1	14	-086*	
7	17.3	16.1	12	-076*	
6	15.3	14.1	10	-066*	
5	13.3	12.1	8	-056*	
4	11.3	10.1	6	-046*	
3	9.3	8.1	4	-036*	
2	7.3	6.1	2	53325-026*	
極数 CKT.	C	B	A	△ MATERIAL NO.	

DO NOT SCALE DRAWING

64 NO. DRWN: CH'K: APPR: 63 NO. DRWN: CH'K: APPR: 62 NO. DRWN: CH'K: APPR: 61 NO. DRWN: CH'K: APPR:	RELEASED 60 NO. J2003-1741 DRWN: S.SHIBATA '02/12/25 CH'K: T.KANEKO '02/12/25 APPR: YO.ITO '02/12/25	MATERIAL 材料 注記参照 SEE NOTES	GENERAL TOLERANCES: (UNLESS SPECIFIED) 一般公差 10 UNDER 未満 ±0.2 10 OVER 30 UNDER 未満 ±0.25 30 OVER 以上 ±0.3	SCALE 5-1 DESIGN UNITS <input checked="" type="checkbox"/> mm <input type="checkbox"/> INCH DIMENSIONS: <input type="checkbox"/> mm <input type="checkbox"/> INCH <input checked="" type="checkbox"/> mm ONLY	SHT 1 REV 1 2.0 WIRE TO BOARD CONN. WAFER ASS'Y (R/A)
WIRE RANGE 適用線径範囲 INS. RANGE 被覆外径	REV A	30° ANGLE 角度 ±3°	DRAWN BY & DATE S. Shibata '02/12/25 CHECKED BY & DATE J. Morozumi '02/12/25 APPROVED BY & DATE Y. Ito '02/12/25	CAD FILENAME SD-53325-002.DGN	MATERIAL NO. SEE CHART DRAWING NO. SD-53325-002 SHEET NO. 1 OF 1

MOLEX MOLEX INCORPORATED

THIS DRAWING CONTAINS INFORMATION THAT IS PROPRIETARY TO MOLEX INCORPORATED AND SHOULD NOT BE USED WITHOUT WRITTEN PERMISSION.

SIZE B