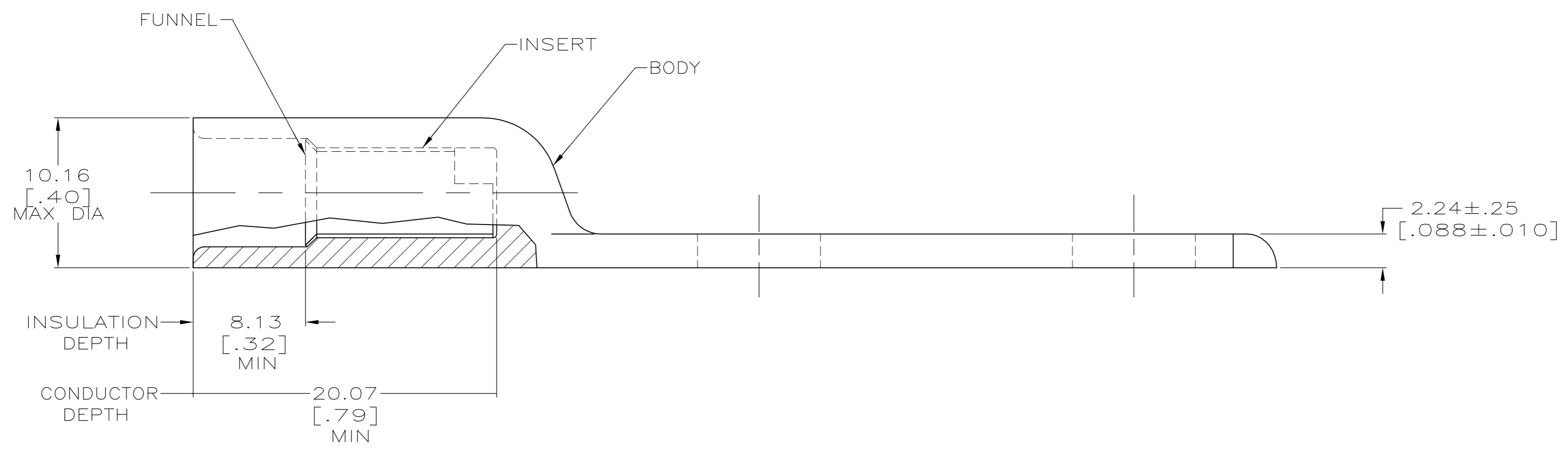
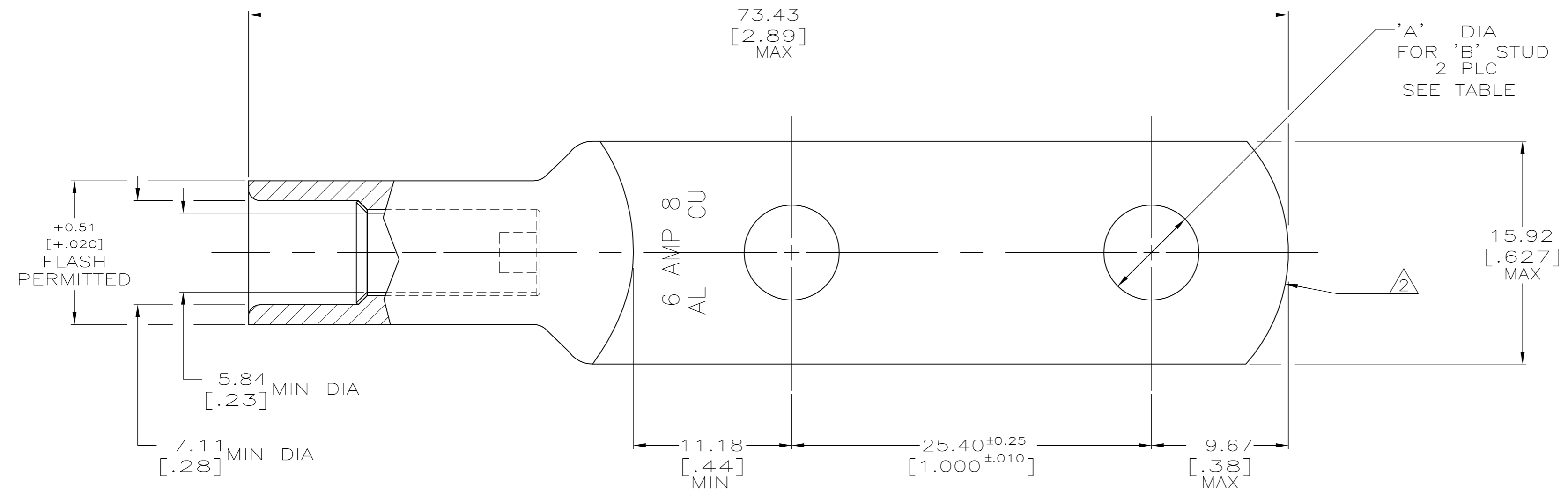


THIS DRAWING IS UNPUBLISHED. RELEASED FOR PUBLICATION
 © COPYRIGHT BY TYCO ELECTRONICS CORPORATION. ALL INTERNATIONAL RIGHTS RESERVED.

LOC	DIST	REVISIONS					
G	86	P	LTR	DESCRIPTION	DATE	DWN	APVD
		F		REVISED PER ECO-09-012370	06JUN09	CT	JW



- 1 WIRE INSULATION: 5.72[.225] - 6.35[.250] DIA
- △ THE TONGUE RADIUS FEATURE IS NOT A TOOLING CONTROLLED DIMENSION AND MAY NOT BE A TRUE RADIUS.

23 GRAMS	9.9 ^{±0.13} [.390 ^{±0.005}]	3/8	BODY: COPPER ASTM-B187 ANNEALED TIN PL MIL-T-10727 0.00457[.000150] MIN THK	55832-2
24 GRAMS	6.73 ^{±0.08} [.265 ^{±0.003}]	1/4	INSERT & FUNNEL: BRASS PER ASTM B36 NICKEL PLATE SAE AMS QQ-N-290A, DATED JULY 2000, 0.00254 [.000100] MIN THK	55832-1
WEIGHT	"A"	"B"	MATERIAL AND FINISH	PART NO.

THIS DRAWING IS A CONTROLLED DOCUMENT.		DWN DK SCHRUM 6/15/92	Tyco Electronics Corporation Harrisburg, Pa 17105-3608	
DIMENSIONS: MM [INCHES]		CHK WJ VOCKROTH 6/16/92	NAME	
TOLERANCES UNLESS OTHERWISE SPECIFIED:		APVD AJ KAUFMAN 6/16/92	PRODUCT SPEC	
0 PLC ± -		108-11011		
1 PLC ± -		APPLICATION SPEC		
2 PLC ± -		114-2134		
3 PLC ± -		WEIGHT SEE TABLE		
4 PLC ± -		SIZE A2 CAGE CODE 00779		
ANGLES ± -		DRAWING NO C=55832		
FINISH SEE TABLE		RESTRICTED TO -		
MATERIAL SEE TABLE		SCALE 4:1 SHEET 1 of 1 REV F		
CUSTOMER DRAWING				

55832