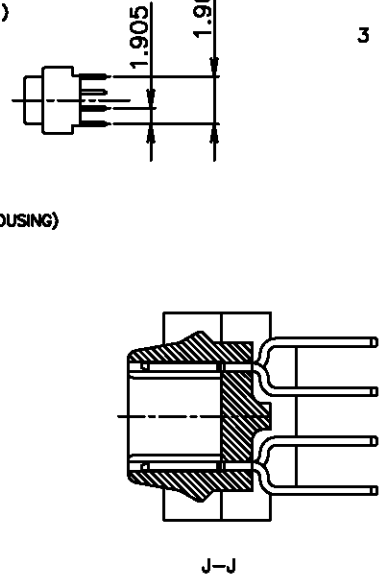
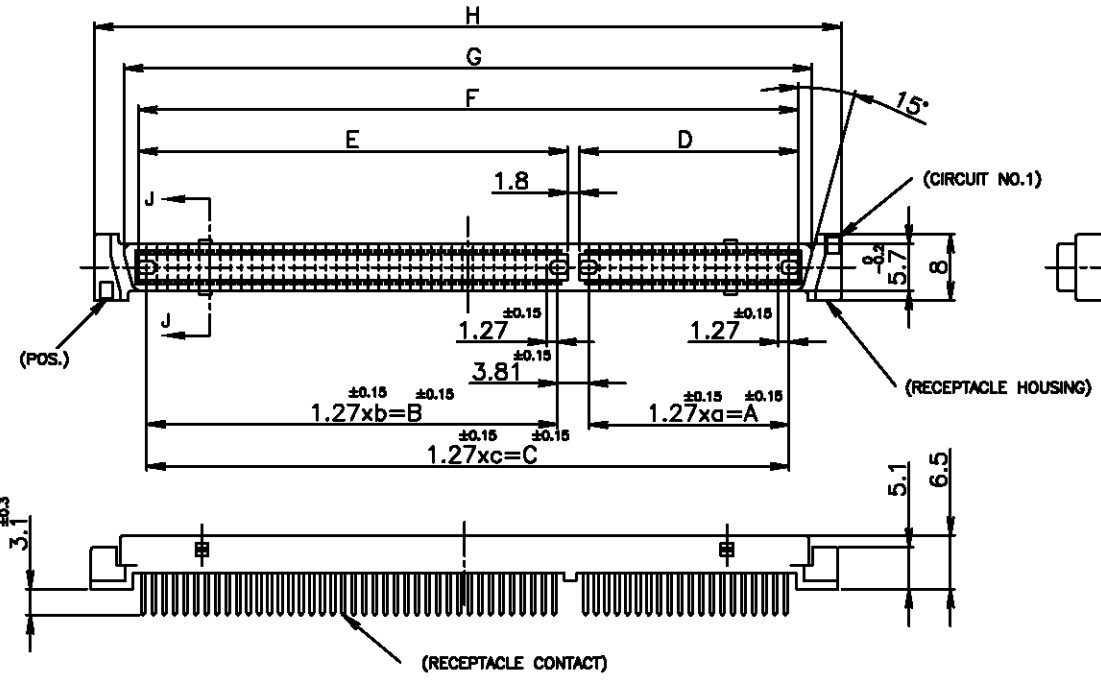
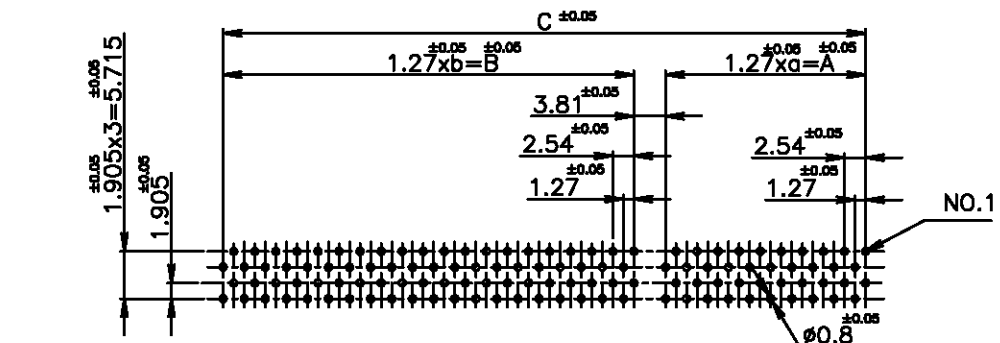


THIS DRAWING IS UNPUBLISHED. RELEASED FOR PUBLICATION FEB, 1996. ALL RIGHTS RESERVED.  
 © COPYRIGHT 1996 BY TYCO ELECTRONICS CORPORATION.

LOC	CHG	REVISIONS	DATE	DMN	APVD
0		RELEASE	FJBO-0884-04	21SEP04	R.H I.E



- 1 MATERIAL: HOUSING: GLASS FILLED 66 NYLON (UL 94V-0) BLACK. CONTACT: PHOSPHOR-BRONZE
- 2 FINISH: CONTACT: 0.0003 MIN. Au CONTACT AREA, 0.001 MIN. TIN AT TINE, OVER NI
- 3 THESE PRODUCTS WERE COATED BY ANTI-FLUX MIGRATION AGENT.



P.C. BOARD LAYOUT (CONNECTOR MOUNT SIDE)

LEAD FREE

180	39	49.53	49	62.23	↗	115.57	51.53	64.23	117.57	120.66	128.19	↑	-8
160	29	36.83	49	62.23	↗	102.87	38.83	64.23	104.87	107.96	115.49		-7
140	29	36.83	39	49.53	↗	90.17	38.83	51.53	92.17	95.26	102.79		-6
120	19	24.13	39	49.53	↗	77.47	26.13	51.53	79.47	82.56	90.09		-5
100	↗	↗	↗	↗	49	62.23	↗	↗	64.23	67.32	74.85		-4
80	↗	↗	↗	↗	39	49.53	↗	↗	51.53	54.62	62.15		-3
60	↗	↗	↗	↗	29	36.83	↗	↗	38.83	41.92	49.45		-2
40	↗	↗	↗	↗	19	24.13	↗	↗	26.13	29.22	36.75		917629-1
POS.	a	A	b	B	c	C	D	E	F	G	H		P/N

THIS DRAWING IS A CONTROLLED DOCUMENT.

DMN ROY HAO 21SEP04	Tyco Electronics AMP K.K. Kawasaki, Japan
CHK STEVEN YAO 21SEP04	
APVD I. ENOMOTO 21SEP04	NAME T.C.
PRODUCT SPEC ALC:R#E	AMP FH CONNECTOR RECEPTACLE (VERTICAL) 9mm STACKING
APPLICATION SPEC 3.27mm间距	
WEIGHT	SIZE A3
CUSTOMER DRAWING	CAGE CODE 00779
	DRAWING NO C=5917629
	RESTRICTED TO
	SCALE 7:25 NTS
	SHEET 1 OF 1
	REV 0