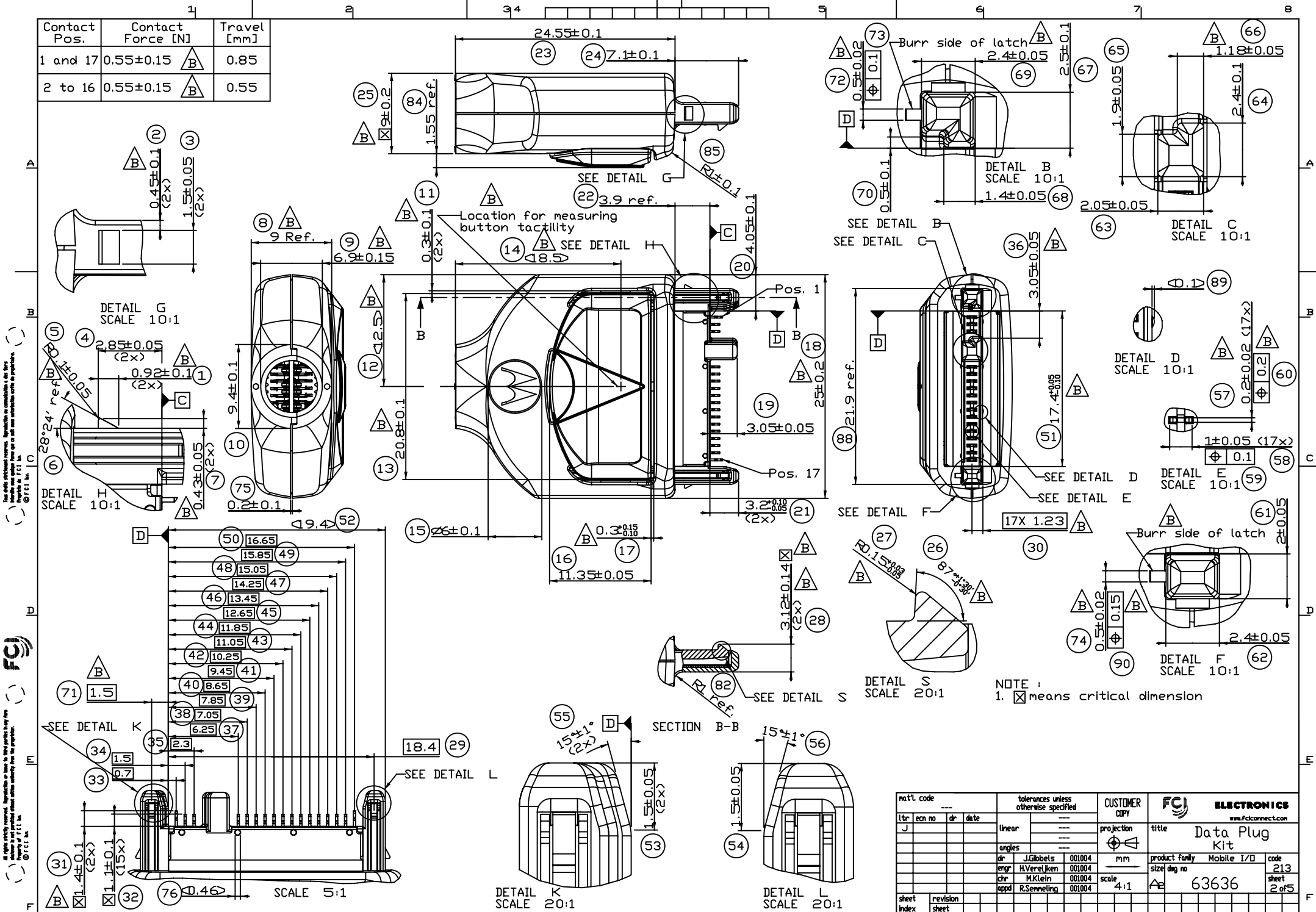


Contact Pos.	Contact Force [N]	Travel [mm]
1 and 17	0.55±0.15	0.85
2 to 16	0.55±0.15	0.55



All rights reserved. Reproduction or use in any form without the prior written permission of FCI is prohibited. © FCI Inc.

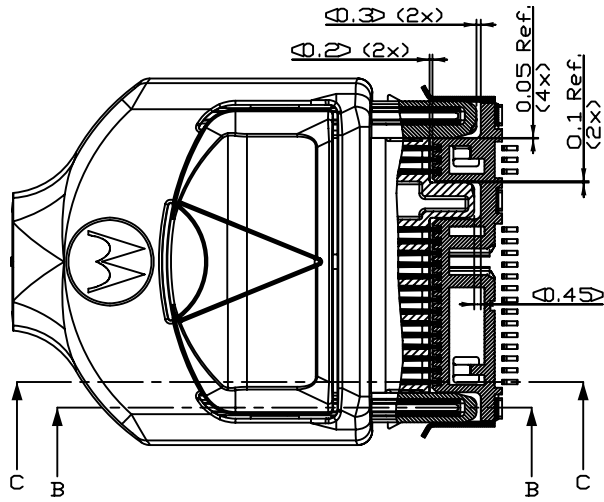


All rights reserved. Reproduction or use in any form without the prior written permission of FCI is prohibited. © FCI Inc.

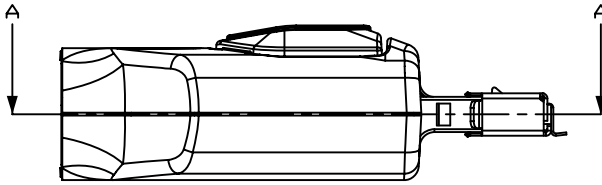
NOTE :
1. ☒ means critical dimension

part code		tolerances unless otherwise specified		CUSTOMER COPY		FCI ELECTRONICS	
ltr	ecr no	dr	date	linear	projection	www.fciconnect.com	
				mm	4:1	title Data Plug Kit	
				angles		product family	Mobile I/O
		dr	J.Gilbels	001004		size	213
		engr	H.Verelken	001004		sheet	2 of 5
		chr	M.Klein	001004		63636	
		appd	R.Semmeling	001004			
sheet index	revision sheet						

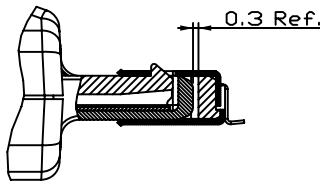
PLUG MATED WITH RECEPTACLE



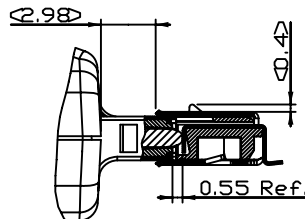
SECTION A-A



SECTION C-C
SCALE 5:1

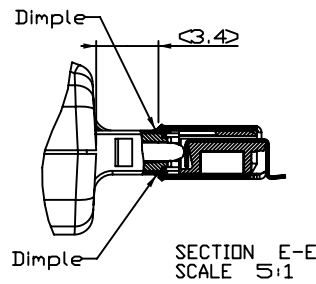
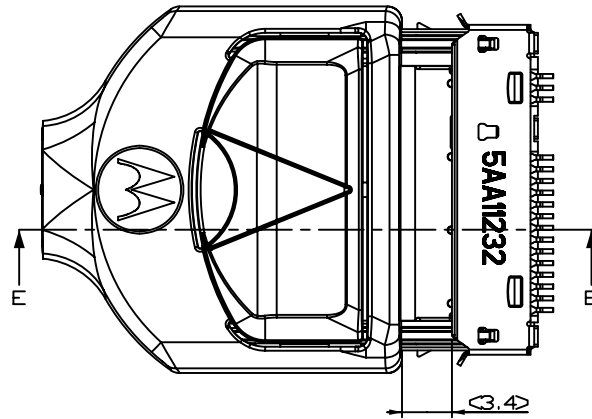


SECTION B-B
SCALE 5:1



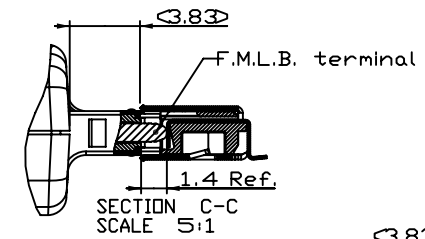
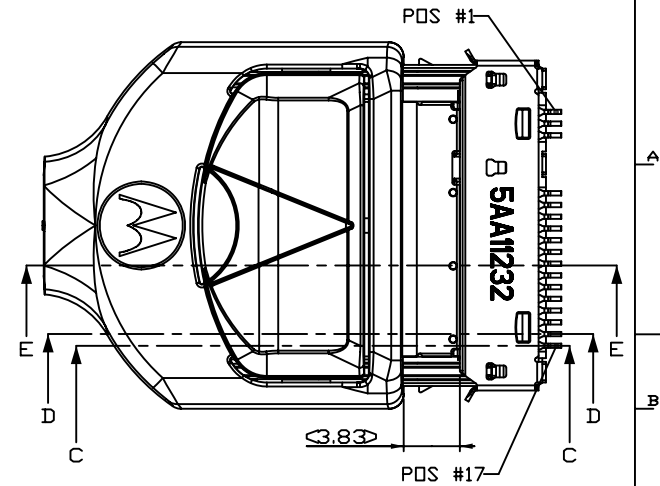
SECTION C-C
SCALE 5:1

DIMPLE MAKES CONTACT WITH METAL SHIELD

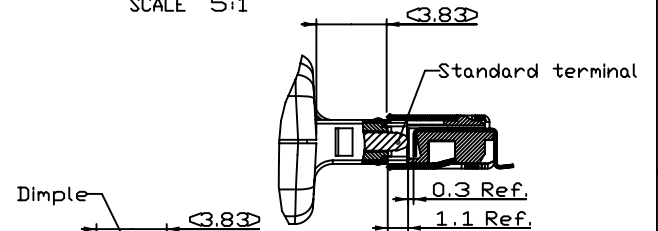


SECTION E-E
SCALE 5:1

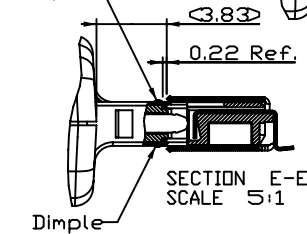
PINS 1 AND 17 MATE FIRST



SECTION C-C
SCALE 5:1

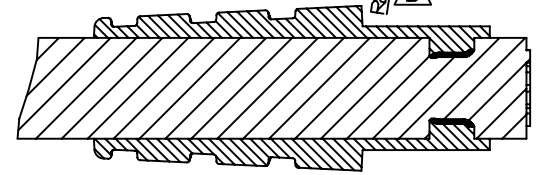
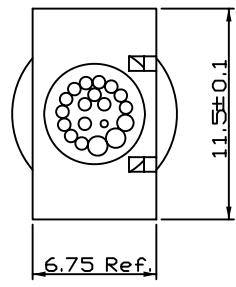
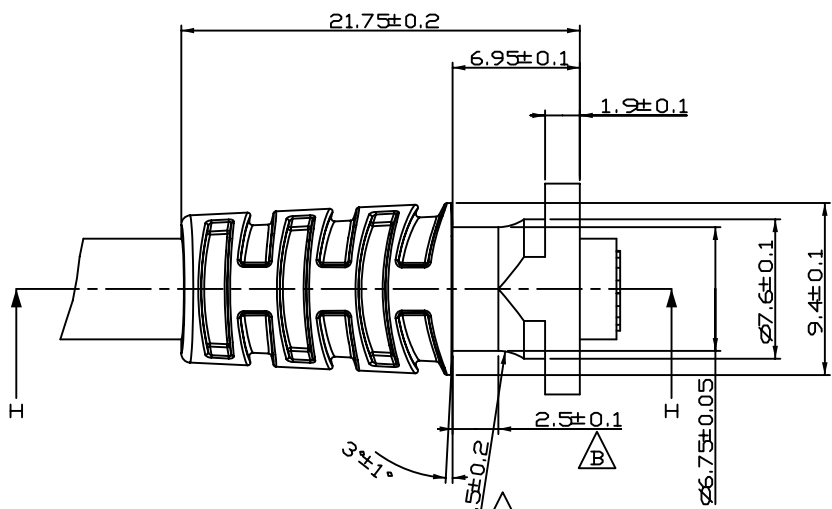


SECTION D-D
SCALE 5:1

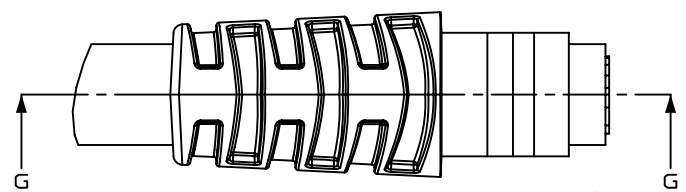


SECTION E-E
SCALE 5:1

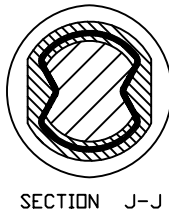
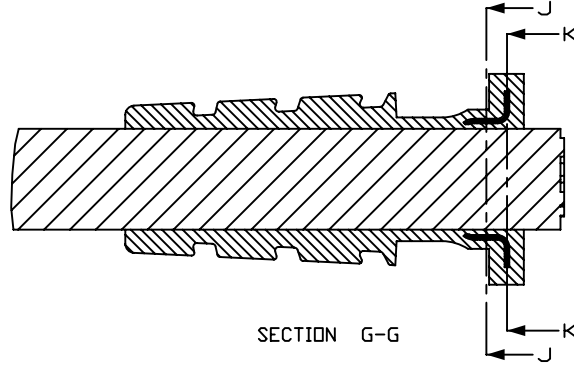
matl. code		tolerances unless otherwise specified		CUSTOMER COPY	FCJ ELECTRONICS www.fcjconnect.com	
ltr	ecn no	dr	date	linear	projection	title
J				mm	1st angle	Data Plug
				mm	product family	Plug mated with receptacle
		dr	J.Gilbels 001004	scale	Mobile I/O	code
		engr	H.Verelken 001004	4:1	size	213
		chr	M.Klein 001004		sheet	3 of 5
		appd	R.Semmeling 001004			
sheet	revision					
index	sheet					



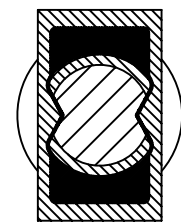
SECTION H-H



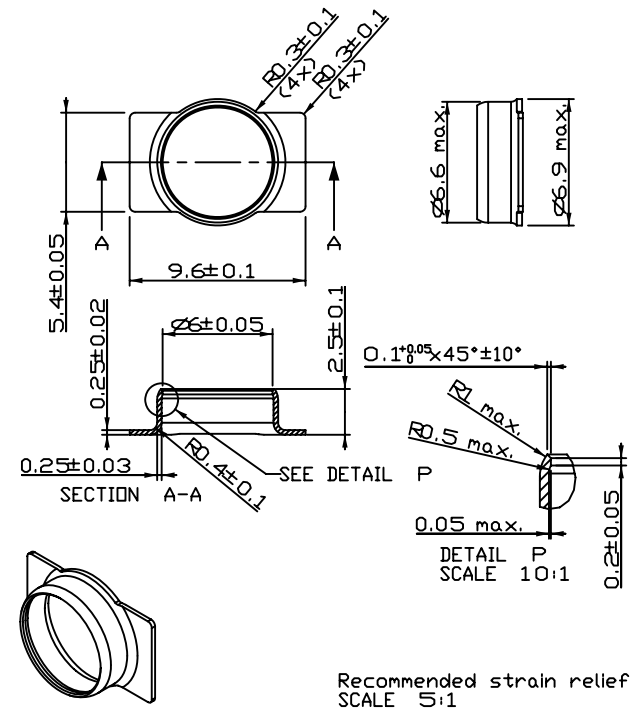
SECTION G-G



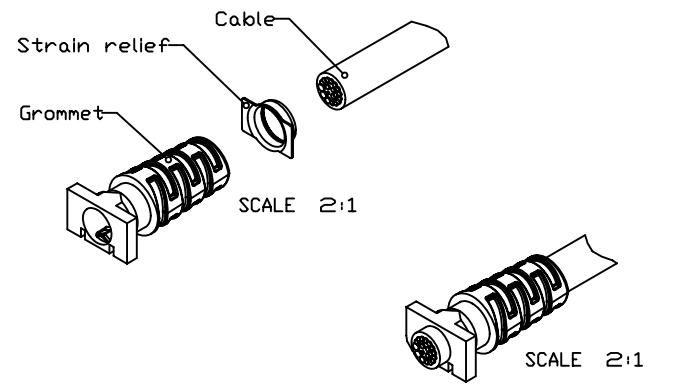
SECTION J-J



SECTION K-K



Recommended strain relief
SCALE 5:1



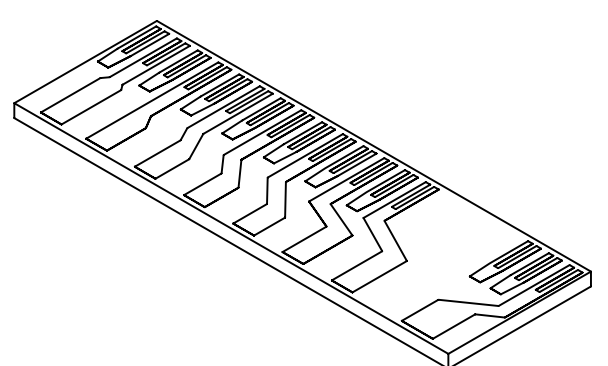
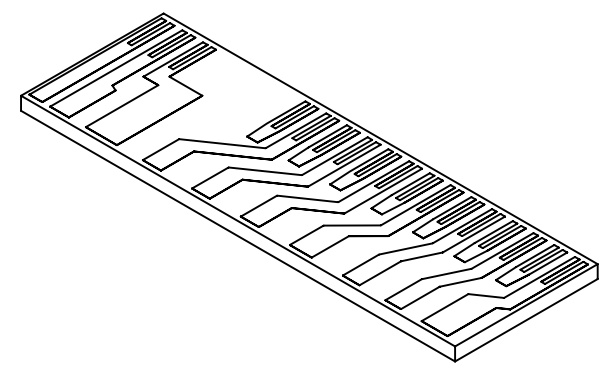
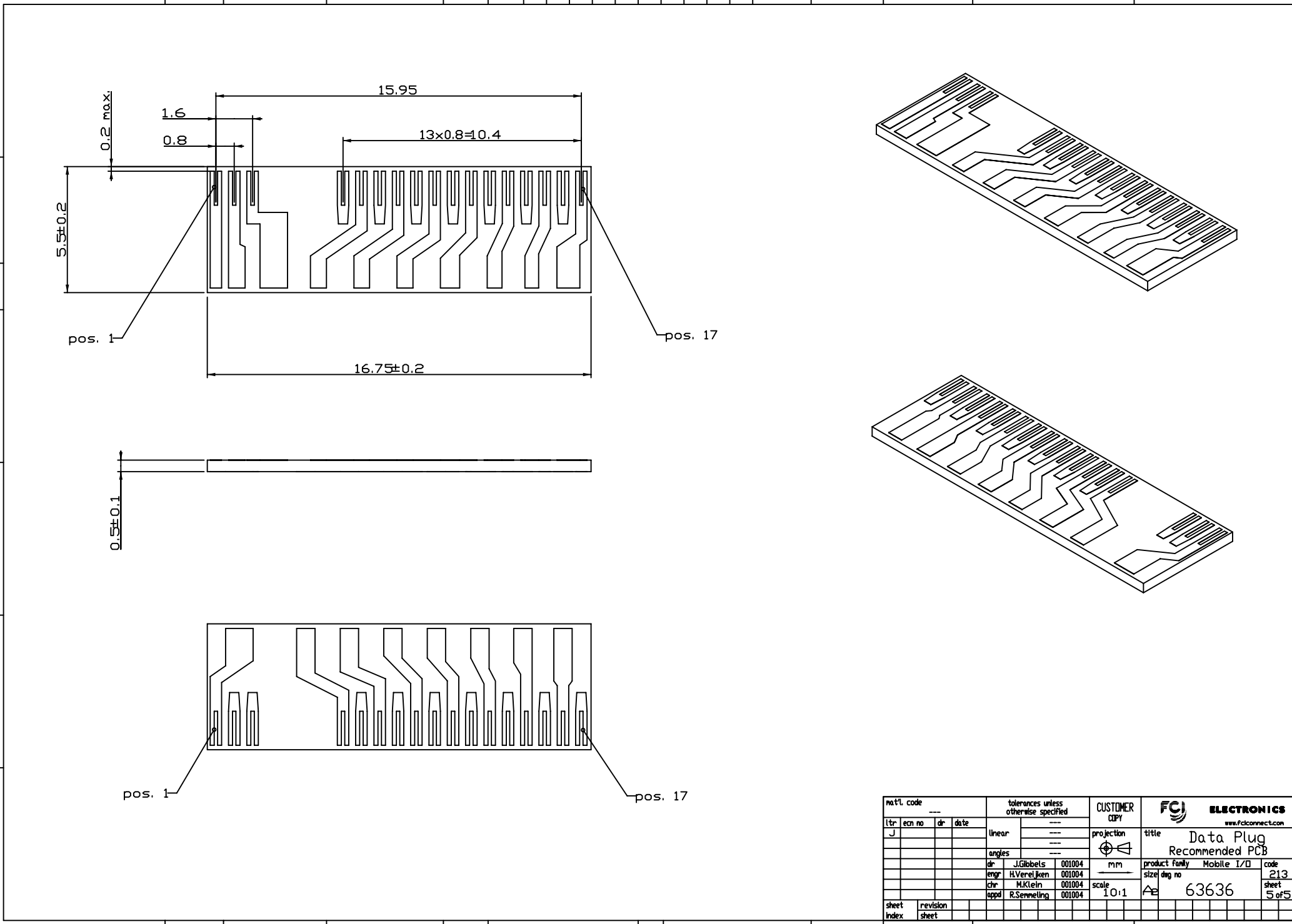
matl. code		tolerances unless otherwise specified		CUSTOMER COPY		FCJ ELECTRONICS		
ltr	ecn no	dr	date	linear	projection	www.fcjconnect.com		
J				angles	mm	title Data Plug Recommended grommet		
		dr	J.Gilbels 001004	scale	5:1	product family	Mobile I/O	
		engr	H.Verelijken 001004			size	213	
		chr	M.Klein 001004			sheet	4 of 5	
		appd	R.Semmeling 001004			code	63636	
sheet	revision							
index	sheet							

All rights reserved. Reproduction or use in any form is prohibited without the written permission of FCJ Inc. © FCJ Inc.



All rights reserved. Reproduction or use in any form is prohibited without the written permission of FCJ Inc. © FCJ Inc.

All rights reserved. Reproduction or use in any form is prohibited without the written permission of FCJ Inc.
 Property of FCJ Inc.
 © FCJ Inc.



matl. code		tolerances unless otherwise specified		CUSTOMER COPY		ELECTRONICS www.fcjconnect.com		
ltr	ecn no	dr	date	linear	projection	title Data Plug Recommended PCB		
J				angles		product family	code	
		dr	J.Gilbets 001004		mm	Mobile I/O	213	
		engr	H.Verelijken 001004		scale	size	sheet	
		chr	M.Klein 001004		10:1	63636	5 of 5	
		appd	R.Semmeling 001004					
sheet index	revision sheet							