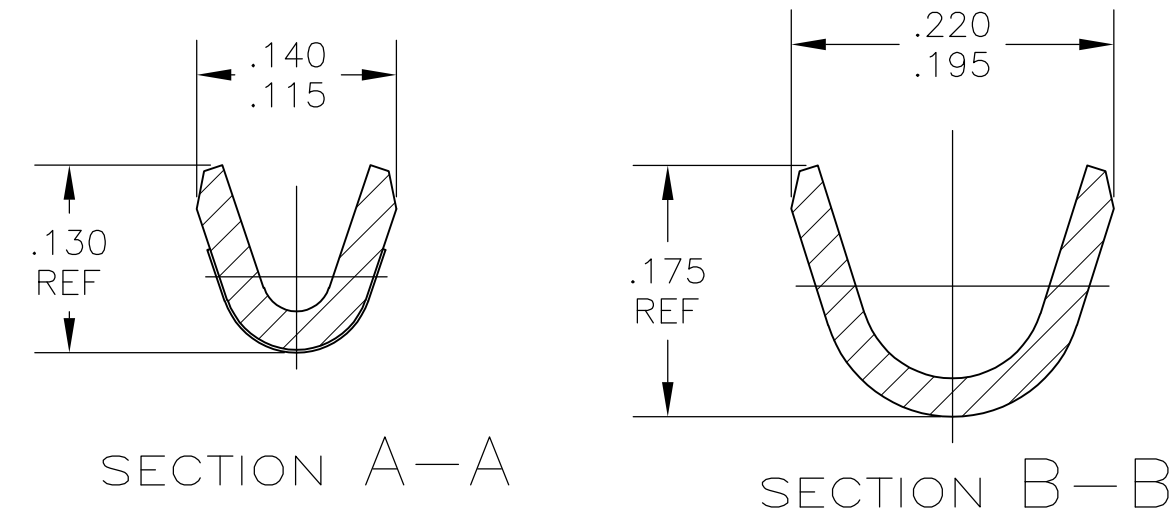
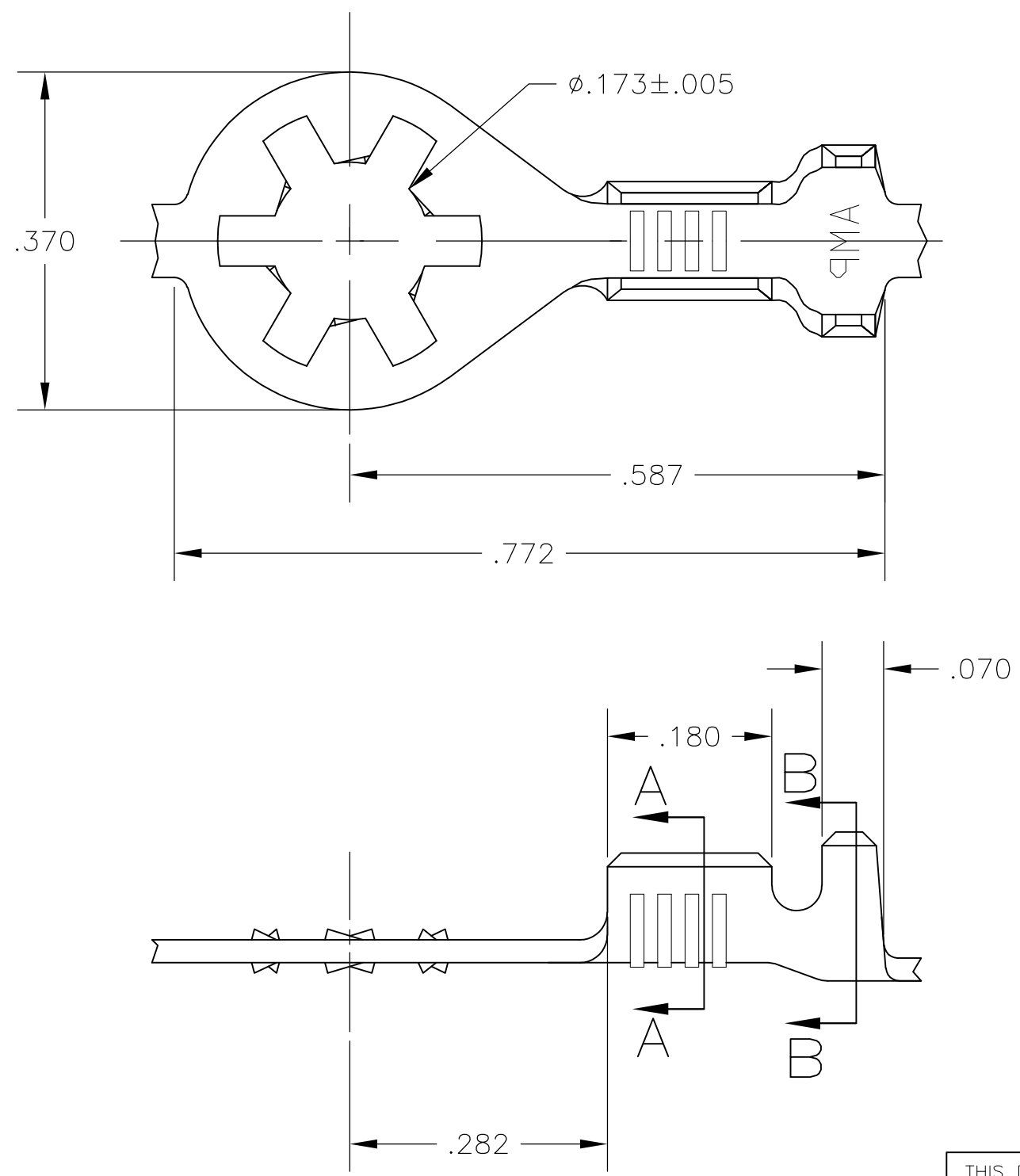


THIS DRAWING IS UNPUBLISHED. RELEASED FOR PUBLICATION
 © COPYRIGHT - BY TYCO ELECTRONICS CORPORATION. ALL RIGHTS RESERVED.

LOC	DIST	REVISIONS			
P	LTR	DESCRIPTION	DATE	DWN	APVD
AF	50	C	REVISED PER ECR-07-014127	26SEP07	HMR DD

- 1 CONTINUOUS STRIP ON REELS
- 2 WIRE SIZE IS #22-#18 AWG
- 3 INSULATION RANGE IS .080-.120 DIA



NICKEL	.025 STEEL	640204-2
TIN	.025 STEEL	640204-1
FINISH	MATERIAL	PART NO.

THIS DRAWING IS A CONTROLLED DOCUMENT.		DWN RAGHAVENDRA 26SEP2007	Tyco Electronics Corporation Harrisburg, PA 17105-3608		
DIMENSIONS: INCHES	TOLERANCES UNLESS OTHERWISE SPECIFIED:	CHK D DECKER 26SEP2007	NAME		
	0 PLC ± -	APVD D DECKER 26SEP2007	RING		
	1 PLC ± -	PRODUCT SPEC	-		
	2 PLC ± -	APPLICATION SPEC	SIZE	CAGE CODE	DRAWING NO
	3 PLC ± .015		A3	00779	C-640204
	4 PLC ± -		RESTRICTED TO		
	ANGLES ± -		-		
MATERIAL SEE TABLE	FINISH SEE TABLE	WEIGHT -	CUSTOMER DRAWING		
			SCALE	SHEET	REV
			6:1	1 OF 1	C