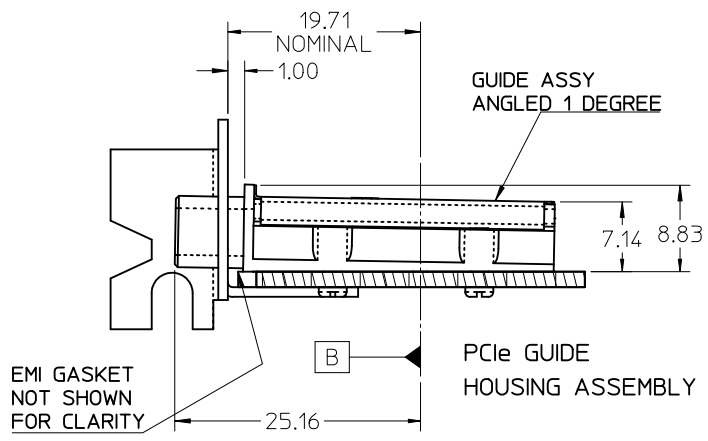


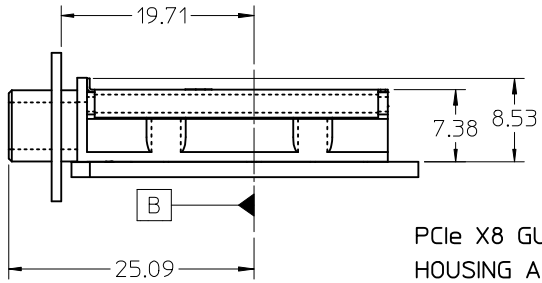
PCIe EXPANSION CARD APPLICATION SHOWN USING 1 DEGREE GUIDE HOUSING ASSEMBLY

- NOTES:
- REF. PCI EXPRESS CARD ELECTROMECHANICAL SPECIFICATION, REV 1.0a FOR IO BRACKET WINDOW LOCATION.
 - PCB AND IO BRACKET SHOWN FOR REFERENCE ONLY.
 - REFER TO SHEET 2 FOR ATCA GUIDE HOUSING ASSY. SEE SHEET 3 FOR SCREEN LENGTH + TORQUE SPEC.
 - GUIDE HOUSING MOUNTING THREAD- M2 X 0.4
 - PCB NOTCH IS SHOWN FOR PCI COMPLIANT BOARD.
 - THIS PRODUCT MEETS THE RESTRICTIONS OF HAZARDOUS SUBSTANCES IN ELECTRICAL AND ELECTRONIC EQUIPMENT (RoHS) DIRECTIVE (2002/95/EC)
 - PLATE GROUND PAD WITH EMERSON SILVER OR GOLD.
 - MATES WITH MOLEX 8X CABLE SERIES 74546-080X.
 - GUIDE HOUSING PEGS FOR ALIGNMENT ONLY. 'DO NOT SOLDER'

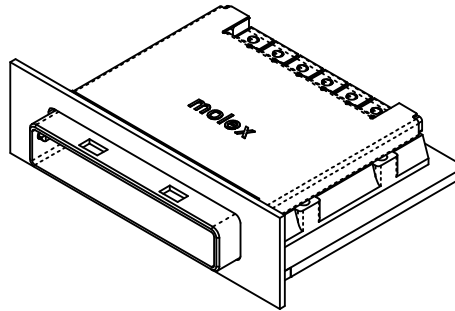
iPass™ is a trademark of Molex



| | | | | | | |
|---|--|---|--|---|---|--|
| DOC HISTORY ONLY EC NO: USY2011-0103 DRAWN: JERWIN 2009/07/28 CHKD: BREED 2009/07/28 APPR: DDOYE 2010/08/27 M | QUALITY SYMBOLS ▽=0 ▽=0 | GENERAL TOLERANCES (UNLESS SPECIFIED) mm INCH 4 PLACES ± --- ± --- 3 PLACES ± --- ± --- 2 PLACES ± 0.05 ± --- 1 PLACE ± 0.10 ± --- ANGULAR ± 1/2° | DIMENSION STYLE MM ONLY DRAWN BY DATE BREED 2004/11/11 CHECKED BY DATE DDOYE 2004/11/11 APPROVED BY DATE DDOYE 2004/11/11 | SCALE 2:1 DESIGN UNITS METRIC THIRD ANGLE PROJECTION | TITLE I-PASS X8 EMI GUIDE HOUSING ASSEMBLY | |
| | MATERIAL NO. SEE TABLE | DOCUMENT NO. SD-74540-100 | SHEET NO. 1 OF 3 | MOLEX INCORPORATED | | |
| | DRAFT WHERE APPLICABLE MUST REMAIN WITHIN DIMENSIONS | | | THIS DRAWING CONTAINS INFORMATION THAT IS PROPRIETARY TO MOLEX INCORPORATED AND SHOULD NOT BE USED WITHOUT WRITTEN PERMISSION | | |
| | MOLEX INCORPORATED | | | | | |

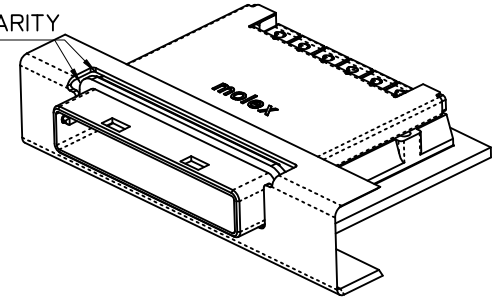


PCIe X8 GUIDE HOUSING ASSEMBLY

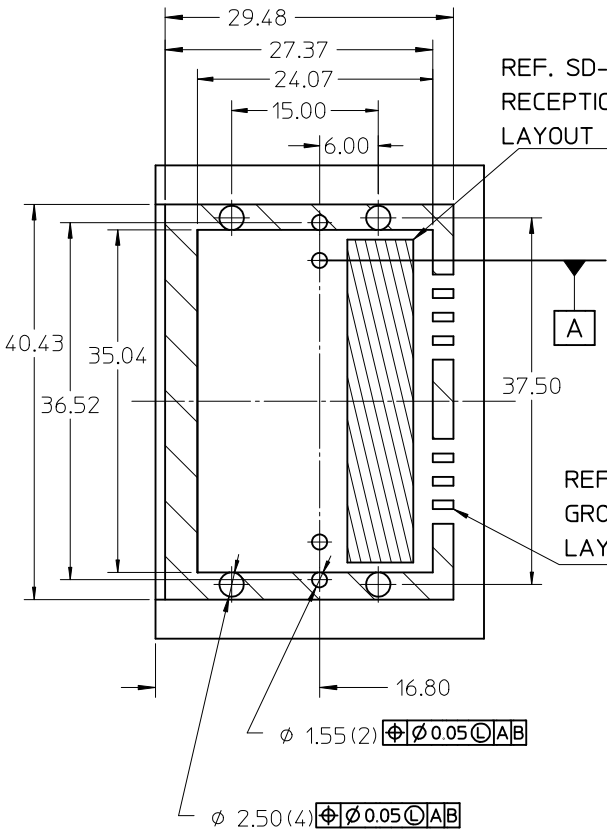


STANDARD APPLICATION SHOWN USING 0 DEG GUIDE HOUSING ASSEMBLY

GASKETS NOT SHOWN FOR CLARITY

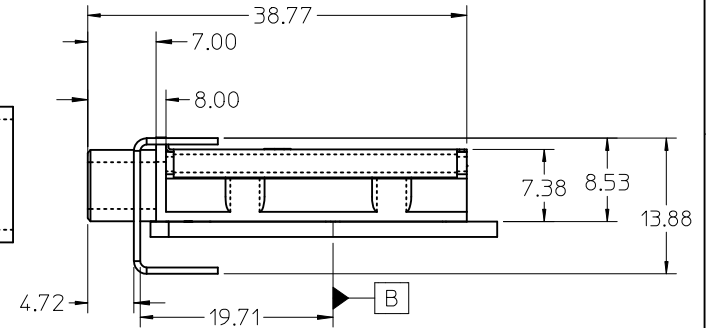
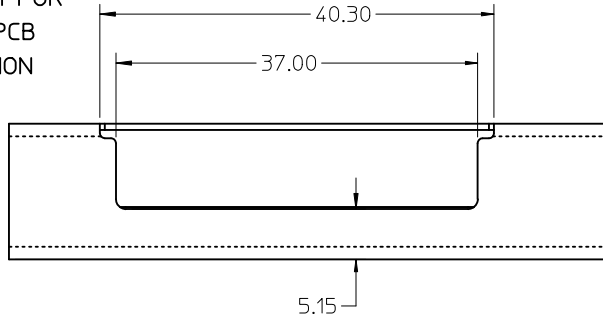


ADVANCED TCA APPLICATION USING 0 DEG GUIDE HOUSING ASSEMBLY



REF. SD-75586-001 FOR RECEPTAL AND PCB LAYOUT INFORMATION

REF. SHEET 3 FOR GROUND PAD ALLEY LAYOUT INFORMATION

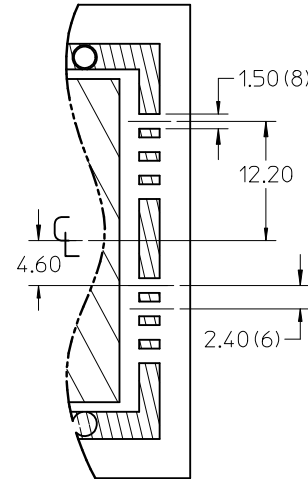


iPass™ is a trademark of Molex

| | | | | | | | | | | | |
|---|-------------------------------|---------------------------------------|-----------------------|-----------------------------------|--------------------|---|------------------------|------------------------------|---------------------|--|--|
| DOC HISTORY ONLY EC NO: USY2011-0103 DRWN: JERWIN 2009/07/28 CHKD: BREED 2009/07/28 APPR: DDOYE 2010/08/27 | QUALITY SYMBOLS ▽=0 ▽=0 | GENERAL TOLERANCES (UNLESS SPECIFIED) | | DIMENSION STYLE MM ONLY | | SCALE 1:1 | DESIGN UNITS METRIC | THIRD ANGLE PROJECTION | | | |
| | | 4 PLACES ± --- ± --- | mm INCH | DRAWN BY BREED | DATE 2004/11/11 | TITLE I-PASS X8 EMI GUIDE HOUSING ASSEMBLY | | | | | |
| | | 3 PLACES ± --- ± --- | 2 PLACES ± 0.05 ± --- | CHECKED BY DDOYE | DATE 2004/11/11 | | | | | | |
| | | 1 PLACE ± 0.10 ± --- | ANGULAR ± 1/2° | APPROVED BY DDOYE | DATE 2004/11/11 | MATERIAL NO. | | DOCUMENT NO. SD-74540-100 | SHEET NO. 2 OF 3 | | |
| DRAFT WHERE APPLICABLE MUST REMAIN WITHIN DIMENSIONS | | | | SEE TABLE | | THIS DRAWING CONTAINS INFORMATION THAT IS PROPRIETARY TO MOLEX INCORPORATED AND SHOULD NOT BE USED WITHOUT WRITTEN PERMISSION | | | | | |

| MOLEX P/N | DESCRIPTION | GEN |
|-----------|--|-------|
| 745400100 | 8x EMI Guide Housing Assembly - PCIe / 1 Deg | Gen 1 |
| 745400200 | 8x EMI Guide Housing Assembly - ATCA / 0 Deg | Gen 1 |

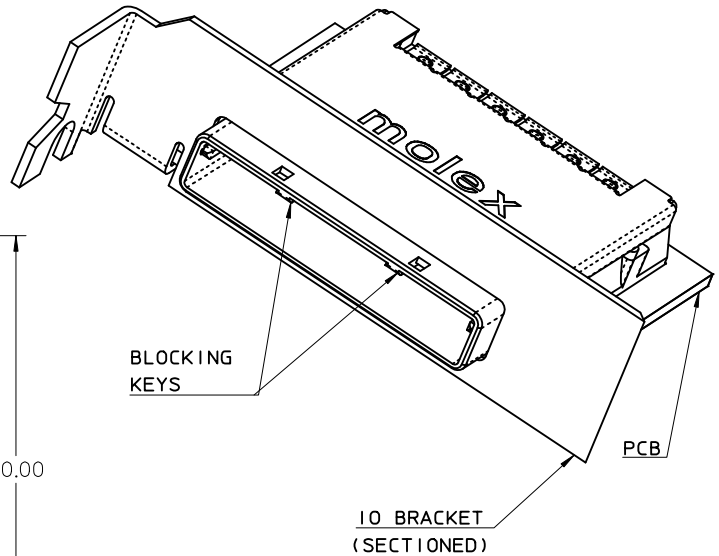
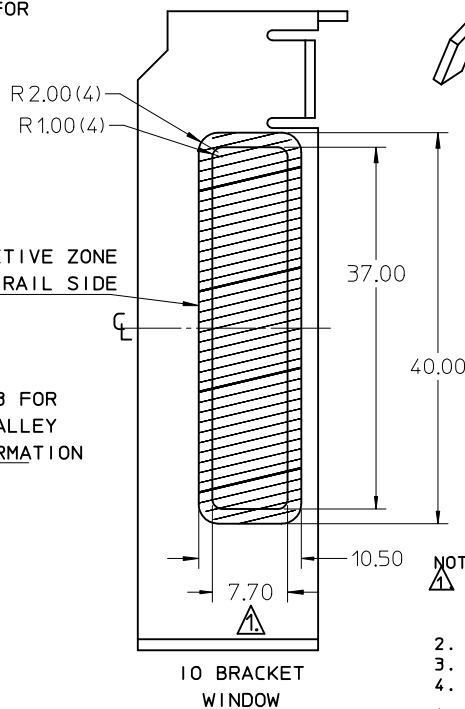
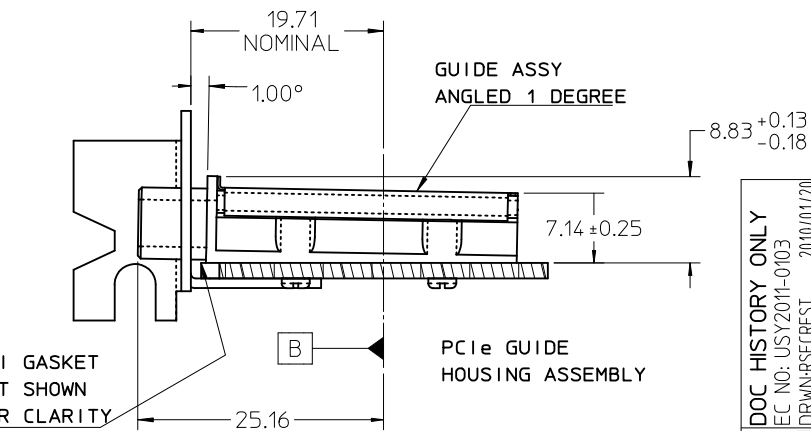
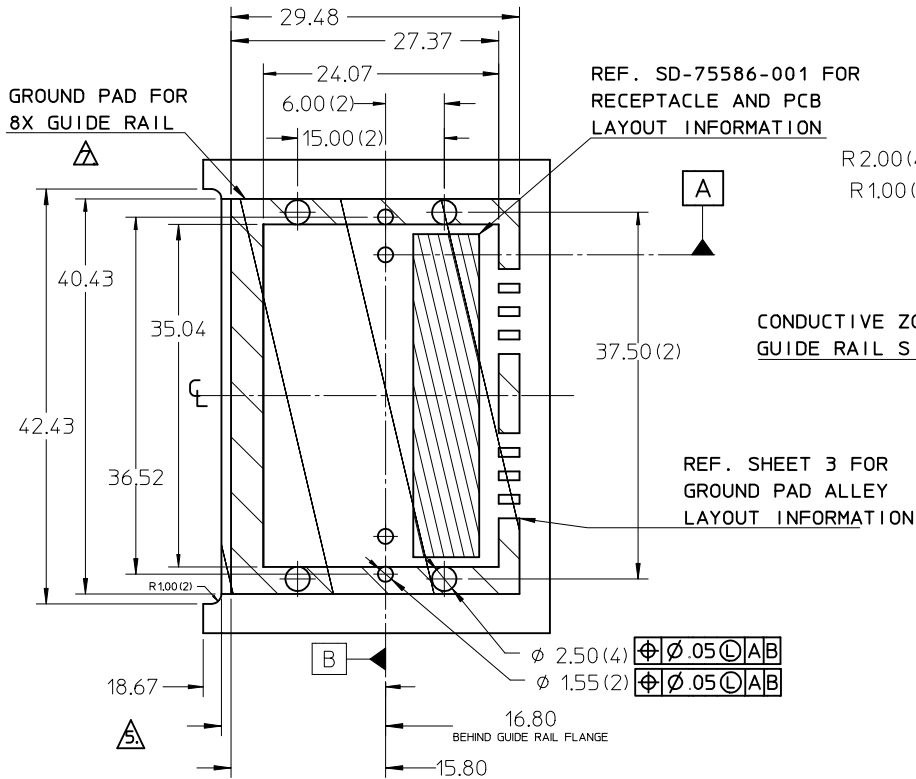
| PCB THICKNESS | SCREW LENGTH | TORQUE (IN LBS) |
|---------------|--------------|-----------------|
| 1.6 (.063") | 5MM | 2.3 |
| 2.38 (.093") | 6MM | 2.3 |
| 3.2 (.125") | 6MM | 2.3 |
| | +4MM MAX | 2.3 |



PARTIAL1
SCALE 2:1
GROUND PAD ALLEY
LAYOUT INFORMATION



| | | | | | | | |
|---|----------------------|---|--|---|--|----------------------------|------------------------|
| DOC HISTORY ONLY EC NO: USY2011-0103 M DRWN: JERWIN 2009/07/28 CHKD: BREED 2009/07/28 APPR: DDOYE 2010/08/27 | REV DESCRIPTION 6 | QUALITY SYMBOLS | GENERAL TOLERANCES (UNLESS SPECIFIED) | DIMENSION STYLE | SCALE | DESIGN UNITS | THIRD ANGLE PROJECTION |
| | | ▼=0 ▽=0 | mm INCH 4 PLACES ± --- ± --- 3 PLACES ± --- ± --- 2 PLACES ± 0.05 ± --- 1 PLACE ± 0.10 ± --- ANGULAR ± 1/2° | MM ONLY DRAWN BY DATE BREED 2004/11/11 CHECKED BY DATE DDOYE 2004/11/11 APPROVED BY DATE DDOYE 2004/11/11 | 1:1 METRIC | ☉ □ THIRD ANGLE PROJECTION | |
| | | DRAFT WHERE APPLICABLE MUST REMAIN WITHIN DIMENSIONS | | MATERIAL NO. SEE TABLE SIZE B | TITLE I-PASS X8 EMI GUIDE HOUSING ASSEMBLY MOLEX INCORPORATED DOCUMENT NO. SD-74540-100 SHEET NO. 3 OF 3 | | |
| | | THIS DRAWING CONTAINS INFORMATION THAT IS PROPRIETARY TO MOLEX INCORPORATED AND SHOULD NOT BE USED WITHOUT WRITTEN PERMISSION | | | | | |

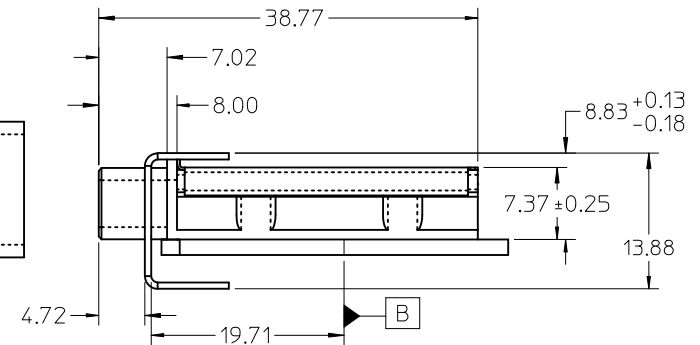
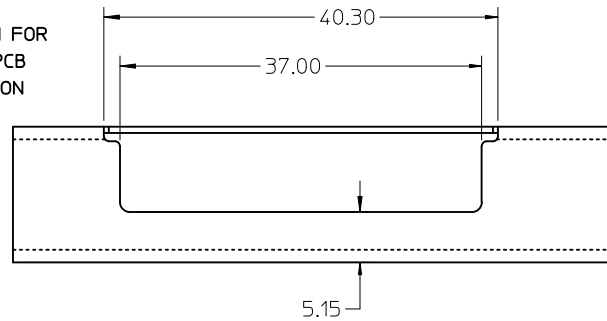
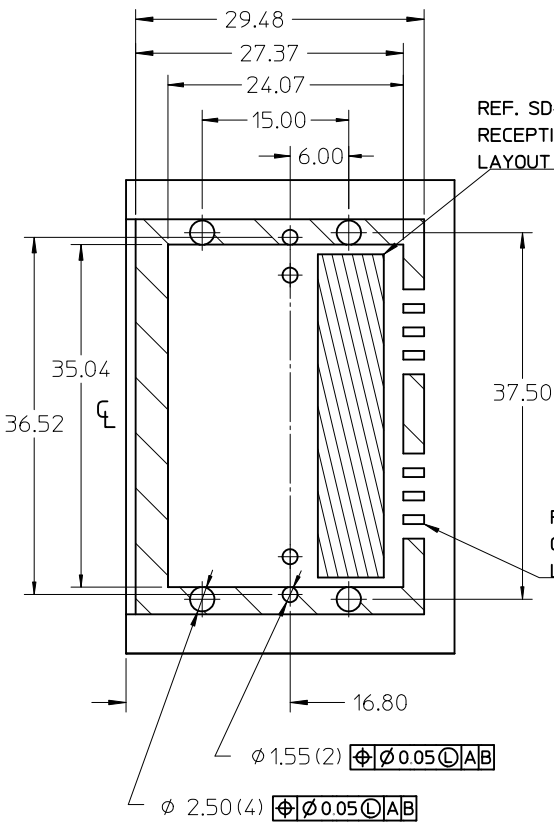
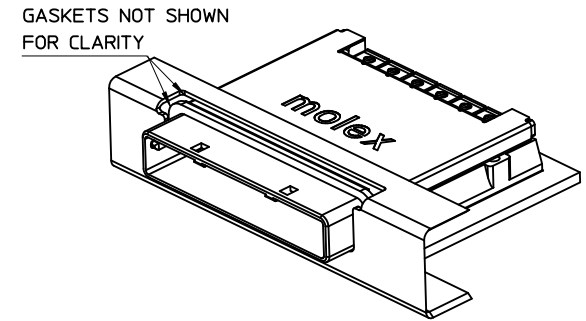
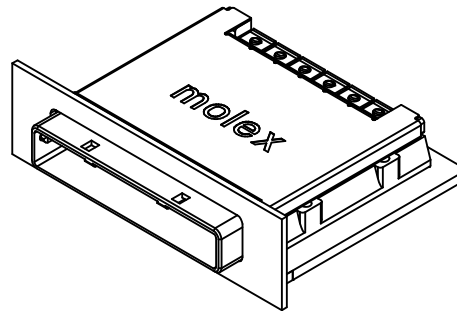
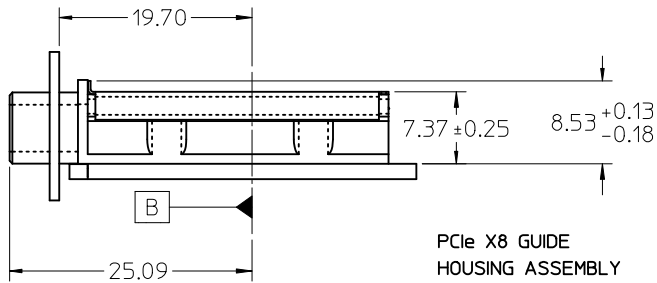


- NOTES:**
- REF. PCI EXPRESS CARD ELECTROMECHANICAL SPECIFICATION, REV 1.0a FOR IO BRACKET WINDOW LOCATION.
 - PCB AND IO BRACKET SHOWN FOR REFERENCE ONLY.
 - REFER TO SHEET 2 FOR ATCA GUIDE HOUSING ASSY.
 - GUIDE HOUSING MOUNTING THREAD= M2 X 0.4. SEE SHEET 3 FOR SCREW LENGTH + TORQUE SPEC.
 - PCB NOTCH IS SHOWN FOR PCI COMPLIANT BOARD.
 - THIS PRODUCT MEETS THE RESTRICTION OF HAZARDOUS SUBSTANCES IN ELECTRICAL AND ELECTRONIC EQUIPMENT (RoHS) DIRECTIVE (2002/95/EC).
 - PLATE GROUND PAD WITH EMERSON SILVER OR GOLD.
 - MATES WITH MOLEX 8X CABLE SERIES 74546-080X.
 - GUIDE HOUSING PEGS FOR ALIGNMENT ONLY, DO NOT SOLDER.

PCIe EXPANSION CARD APPLICATION SHOWN USING 1 DEGREE GUIDE HOUSING ASSEMBLY

iPass™ is a trademark of Molex

| DOC HISTORY ONLY EC NO: USY2011-0103 TDR:WNRSECRET 2010/01/20 CHKD:SYTSMIA APPR:DDOYE 2010/08/27 | QUALITY SYMBOLS ▽=0 ▽=0 | GENERAL TOLERANCES (UNLESS SPECIFIED) <table border="1"> <tr> <th></th> <th>mm</th> <th>INCH</th> </tr> <tr> <td>4 PLACES</td> <td>± ---</td> <td>± ---</td> </tr> <tr> <td>3 PLACES</td> <td>± ---</td> <td>± ---</td> </tr> <tr> <td>2 PLACES</td> <td>± 0.05</td> <td>± ---</td> </tr> <tr> <td>1 PLACE</td> <td>± 0.10</td> <td>± ---</td> </tr> <tr> <td colspan="3">ANGULAR ±1/2°</td> </tr> </table> | | mm | INCH | 4 PLACES | ± --- | ± --- | 3 PLACES | ± --- | ± --- | 2 PLACES | ± 0.05 | ± --- | 1 PLACE | ± 0.10 | ± --- | ANGULAR ±1/2° | | | DIMENSION STYLE MM ONLY | SCALE 2:1 | DESIGN UNITS METRIC | THIRD ANGLE PROJECTION |
|--|-------------------------------|--|--------------------|---|------------------------------|---|-------|-------|----------|-------|-------|----------|--------|-------|---------|--------|-------|---------------|--|--|----------------------------|--------------|------------------------|------------------------|
| | | mm | INCH | | | | | | | | | | | | | | | | | | | | | |
| | 4 PLACES | ± --- | ± --- | | | | | | | | | | | | | | | | | | | | | |
| | 3 PLACES | ± --- | ± --- | | | | | | | | | | | | | | | | | | | | | |
| 2 PLACES | ± 0.05 | ± --- | | | | | | | | | | | | | | | | | | | | | | |
| 1 PLACE | ± 0.10 | ± --- | | | | | | | | | | | | | | | | | | | | | | |
| ANGULAR ±1/2° | | | | | | | | | | | | | | | | | | | | | | | | |
| DRAWN BY JERWIN | DATE 2006/05/25 | CHECKED BY BREED | DATE 2006/05/25 | TITLE I-PASS X8 EMI GUIDE HOUSING ASSEMBLY W/ KEYS | | | | | | | | | | | | | | | | | | | | |
| APPROVED BY DDOYE | DATE 2006/05/25 | MATERIAL NO. SEE TABLE | | | DOCUMENT NO. SD-74540-101 | SHEET NO. 1 OF 3 | | | | | | | | | | | | | | | | | | |
| DRAFT WHERE APPLICABLE MUST REMAIN WITHIN DIMENSIONS | | | | | | THIS DRAWING CONTAINS INFORMATION THAT IS PROPRIETARY TO MOLEX INCORPORATED AND SHOULD NOT BE USED WITHOUT WRITTEN PERMISSION | | | | | | | | | | | | | | | | | | |



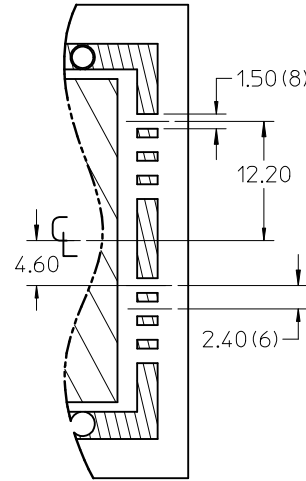
ADVANCED TCA APPLICATION USING 0 DEG GUIDE HOUSING ASSEMBLY

iPass™ is a trademark of Molex

| | | | | | | | | | | | |
|--|-------------------------------|---------------------------------------|---------|--|--------------------|---|------------------------------|------------------------|--|--|--|
| DOC HISTORY ONLY EC NO: USY2011-0103 TDR:WNRSECRET 2010/01/20 CHKD:PSYISMA 2010/01/20 APPR:DDOYE 2010/08/27 | QUALITY SYMBOLS ▽=0 ▽=0 | GENERAL TOLERANCES (UNLESS SPECIFIED) | | DIMENSION STYLE MM ONLY | | SCALE 1:1 | DESIGN UNITS METRIC | THIRD ANGLE PROJECTION | | | |
| | | 4 PLACES ± --- ± --- | mm INCH | DRAWN BY JERWIN | DATE 2006/05/25 | TITLE I-PASS X8 EMI GUIDE HOUSING ASSEMBLY W/ KEYS | | | | | |
| | | 3 PLACES ± --- ± --- | | CHECKED BY BREED | DATE 2006/05/25 | MOLEX INCORPORATED | | | | | |
| | | 2 PLACES ± 0.05 ± --- | | APPROVED BY DDOYE | DATE 2006/05/25 | MATERIAL NO. SEE TABLE | DOCUMENT NO. SD-74540-101 | SHEET NO. 2 OF 3 | | | |
| 1 PLACE ± 0.10 ± --- | | ANGULAR ± 1/2° | | DRAFT WHERE APPLICABLE MUST REMAIN WITHIN DIMENSIONS | | THIS DRAWING CONTAINS INFORMATION THAT IS PROPRIETARY TO MOLEX INCORPORATED AND SHOULD NOT BE USED WITHOUT WRITTEN PERMISSION | | | | | |

| MOLEX P/N | DESCRIPTION | GEN |
|-----------|--|-------|
| 745400101 | 8x EMI Guide Housing Assembly - PCIe / 1 Deg | Gen 1 |
| 745400201 | 8x EMI Guide Housing Assembly - ATCA / 0 Deg | Gen 1 |

| PCB THICKNESS | SCREW LENGTH | TORQUE (IN LBS) |
|---------------|--------------|-----------------|
| 1.6 (.063") | 5MM | 2.3 |
| 2.38 (.093") | 6MM | 2.3 |
| 3.2 (.125") | 6MM | 2.3 |
| X | +4MM MAX | 2.3 |



PARTIAL1
SCALE 2:1
GROUND PAD ALLEY
LAYOUT INFORMATION



| | | | | | | |
|--|--|---------------------------------------|---|--|--------------|------------------------|
| DOC HISTORY ONLY EC NO: USY2011-0103 TDR: MNRSECRET 2010/01/20 CHKD: PYSYMA 2010/01/20 APPR: DDOYE 2010/08/27 | QUALITY SYMBOLS | GENERAL TOLERANCES (UNLESS SPECIFIED) | DIMENSION STYLE | SCALE | DESIGN UNITS | THIRD ANGLE PROJECTION |
| | ▽=0 | mm INCH | MM ONLY | 1:1 | METRIC | |
| | ▽=0 | 4 PLACES ± --- ± --- | DRAWN BY DATE | TITLE I-PASS X8 EMI GUIDE HOUSING ASSEMBLY W/ KEYS | | |
| | | 3 PLACES ± --- ± --- | JERWIN 2006/05/25 | | | |
| | 2 PLACES ± 0.05 ± --- | CHECKED BY DATE | MOLEX INCORPORATED | | | |
| | 1 PLACE ± 0.10 ± --- | BREED 2006/05/25 | | | | |
| | ANGULAR ± 1/2° | APPROVED BY DATE | DOCUMENT NO. SD-74540-101 | | | |
| | | DDOYE 2006/05/25 | | | | |
| | DRAFT WHERE APPLICABLE MUST REMAIN WITHIN DIMENSIONS | MATERIAL NO. | SHEET NO. 3 OF 3 | | | |
| | | SEE TABLE | | | | |
| | | SIZE B | THIS DRAWING CONTAINS INFORMATION THAT IS PROPRIETARY TO MOLEX INCORPORATED AND SHOULD NOT BE USED WITHOUT WRITTEN PERMISSION | | | |