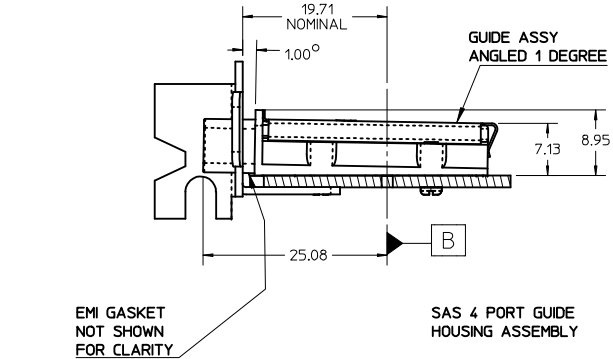


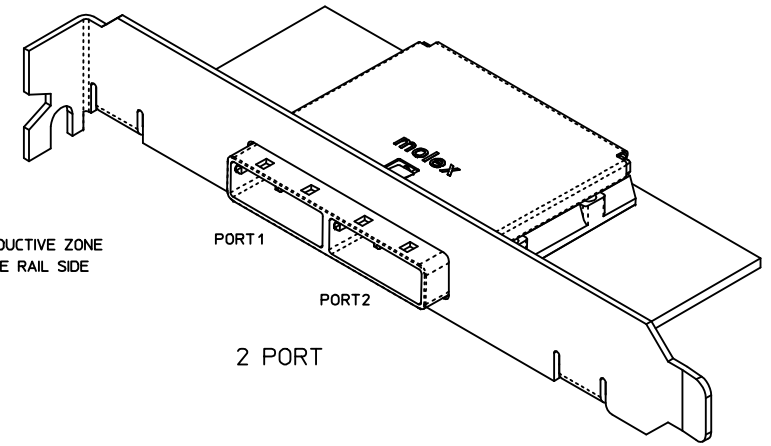
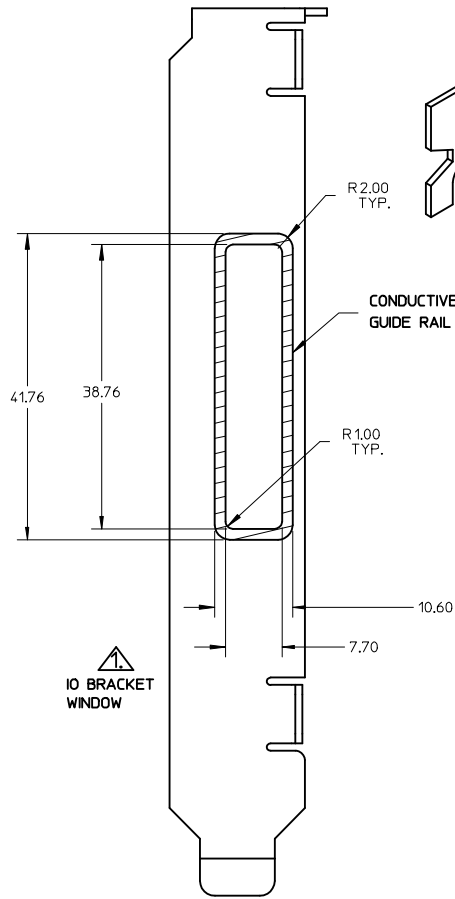
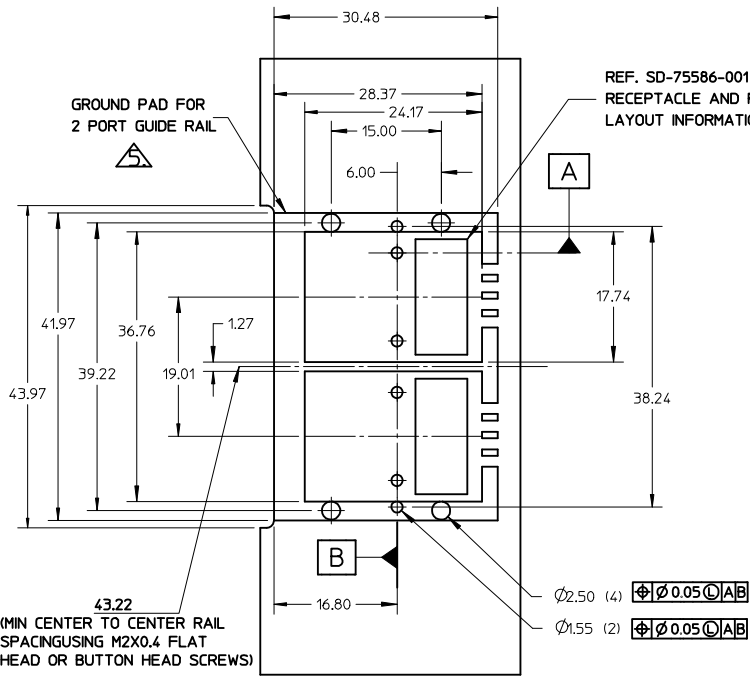
- NOTES:**
- REF. PCI EXPRESS CARD ELECTROMECHANICAL SPECIFICATION, REV 1.0a FOR BRACKET WINDOW LOCATION.
 - PCB AND BRACKET SHOWN FOR REFERENCE ONLY.
 - REF. SD-74547-100 FOR KEY POSITIONS
 - GUIDE HOUSING MOUNTING THREAD= M2 X 0.40, SEE SHEET 3 FOR SCREW LENGTH + TORQUE SPEC.
 - PLATE GROUND PAD WITH EMERSON SILVER OR GOLD.
 - MATERIAL:**
GUIDE HOUSING - ZINC DIECAST, NICKEL PLATED
COVER - STAINLESS STEEL
 - THIS PRODUCT MEETS THE RESTRICTION OF HAZARDOUS SUBSTANCES IN ELECTRICAL AND ELECTRONIC EQUIPMENT (RoHS) DIRECTIVE (2002/95/EC)
 - GUIDE HOUSING PEGS FOR ALIGNMENT ONLY, DO NOT SOLDER.

PART NUMBER	PORT SIZE	KEY(S) PORT1	KEY(S) PORT2	KEY(S) PORT3	KEY(S) PORT4	IDENTIFIERS
745480100	4	1	1	1	1	SATA - 'X' CABLES
745480103	4	2,4	2,4	2,4	2,4	SAS OUT PORT/END DEVICE
745480104	4	4,6	4,6	4,6	4,6	SAS IN PORT/END DEVICE
745480105	4	4	4	4	4	SAS UNIVERSAL PORT
745480112	4	7	7	7	7	SATA - 'M' CABLES
745480117	4	2	2	2	2	SAS - OUT PORT
745480120	4	6	6	6	6	SAS - IN PORT
745480401	4	2,6	4	4	4	CUSTOM



iPass™ is a Trademark of Molex, Inc.

ENTER DESCRIPTION EC NO: USY2009-0118 DRWN: JERWIN 2008/09/29 CHKD: BREED 2008/09/29 APPR: DDOYE 2008/10/27 REV DESCRIPTION	QUALITY SYMBOLS	GENERAL TOLERANCES (UNLESS SPECIFIED)	DIMENSION STYLE	SCALE	DESIGN UNITS	THIRD ANGLE PROJECTION
	▽=0 ▽=0	mm INCH	MM ONLY	1:1	METRIC	
		4 PLACES ± --- ± --- 3 PLACES ± --- ± --- 2 PLACES ± 0.13 ± --- 1 PLACE ± 0.25 ± --- ANGULAR ± 1/2°	DRAWN BY DATE SNAVARRO 2006/05/26 CHECKED BY DATE BREED 2006/05/26 APPROVED BY DATE DDOYE 2006/05/26	TITLE	I-PASS 26CKT ONE DEG. EMI GUIDE RAIL HOUSING ASSEMBLY, MULTI PORT	
		DRAFT WHERE APPLICABLE MUST REMAIN WITHIN DIMENSIONS	MATERIAL NO. SEE CHART	DOCUMENT NO. SD-74548-100	MOLEX INCORPORATED	
			SIZE B	THIS DRAWING CONTAINS INFORMATION THAT IS PROPRIETARY TO MOLEX INCORPORATED AND SHOULD NOT BE USED WITHOUT WRITTEN PERMISSION		SHEET NO. 1 OF 3

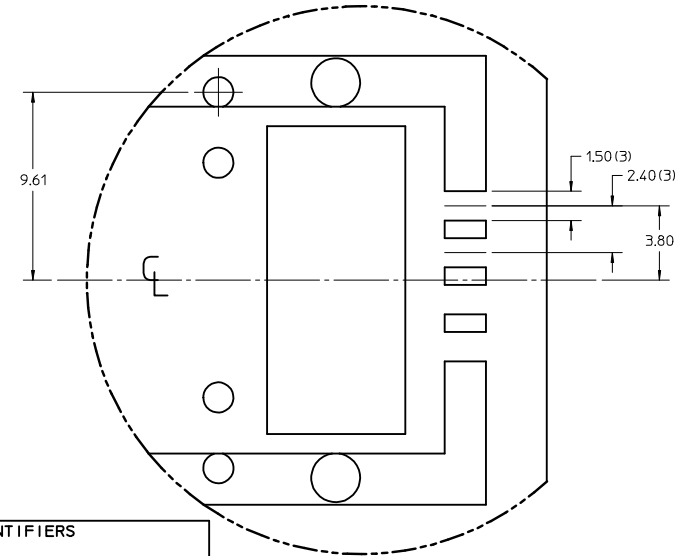
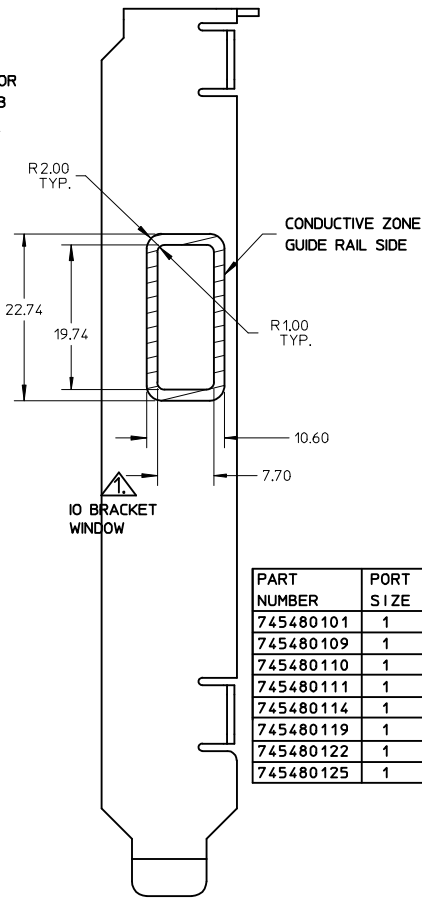
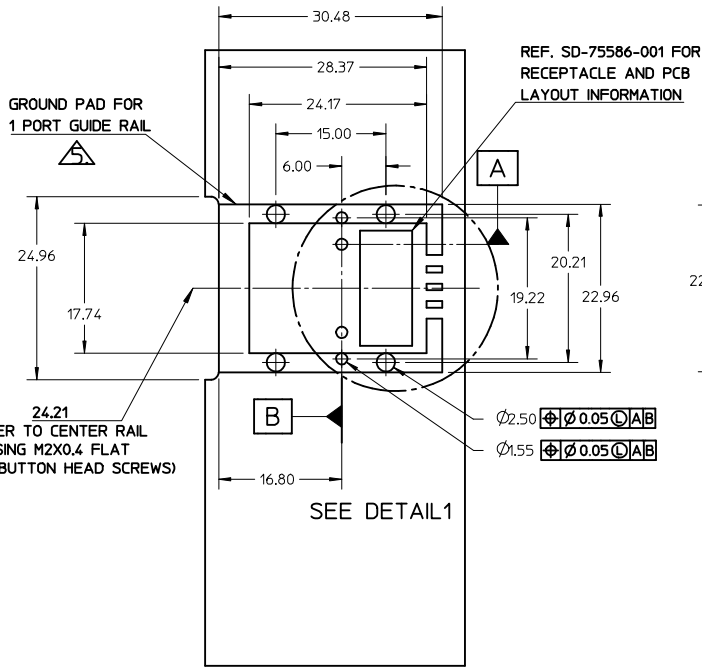


PART NUMBER	PORT SIZE	KEY(S) PORT1	KEY(S) PORT2	IDENTIFIERS
745480102	2	1	1	SATA - 'X' CABLES
745480106	2	2, 4	2, 4	SAS OUT PORT/END DEVICE
745480107	2	4, 6	4, 6	SAS IN PORT/END DEVICE
745480108	2	4	4	SAS UNIVERSAL PORT
745480113	2	7	7	SATA - 'M' CABLES
745480115	2	4, 6	2, 4	SAS IN PORT - SAS OUT PORT
745480116	2	2, 4	4, 6	SAS OUT PORT - SAS IN PORT
745480118	2	2	2	SAS - OUT PORT
745480121	2	6	6	SAS - IN PORT
745480124	2	3	3	SRIO

iPass™ is a Trademark of Molex, Inc.

ENTER DESCRIPTION EC NO: USY2009-0118 DRAWN: JERWIN 2008/09/29 CHKD: BREED 2008/09/29 APPR: DDOYE 2008/10/27	QUALITY SYMBOLS ▽=0 ▽=0	GENERAL TOLERANCES (UNLESS SPECIFIED)		DIMENSION STYLE MM ONLY		SCALE 1:1	DESIGN UNITS METRIC	THIRD ANGLE PROJECTION			
		4 PLACES ± --- / ± --- 3 PLACES ± --- / ± --- 2 PLACES ± 0.13 / ± --- 1 PLACE ± 0.25 / ± ---	mm / INCH	DRAWN BY SNAVARRO	DATE 2006/05/26	TITLE I-PASS 26CKT ONE DEG. EMI GUIDE RAIL HOUSING ASSEMBLY, MULTI PORT					
		ANGULAR ± 1/2°		CHECKED BY BREED	DATE 2006/05/26						
		DRAFT WHERE APPLICABLE MUST REMAIN WITHIN DIMENSIONS		APPROVED BY DDOYE	DATE 2006/05/26	MATERIAL NO. SEE CHART		DOCUMENT NO. SD-74548-100		SHEET NO. 2 OF 3	

THIS DRAWING CONTAINS INFORMATION THAT IS PROPRIETARY TO MOLEX INCORPORATED AND SHOULD NOT BE USED WITHOUT WRITTEN PERMISSION

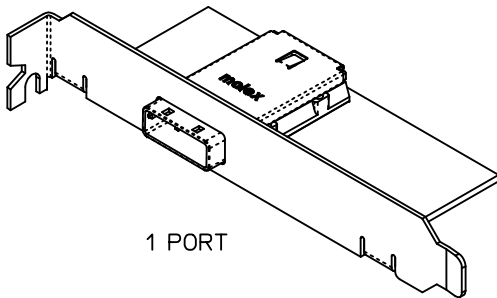


DETAIL 1
SCALE 4:1

PART NUMBER	PORT SIZE	KEY(S)	IDENTIFIERS
745480101	1	1	SATA - 'X' CABLES
745480109	1	2, 4	SAS OUT PORT/END DEVICE
745480110	1	4, 6	SAS IN PORT/END DEVICE
745480111	1	4	SAS UNIVERSAL PORT
745480114	1	7	SATA - 'M' CABLES
745480119	1	2	SAS - OUT PORT
745480122	1	6	SAS - IN PORT
745480125	1	3	SRIO

PCB THICKNESS	SCREW LENGTH	TORQUE (IN LBS)
1.6 (.063')	5MM	2.3
2.38 (.093')	6MM	2.3
3.2 (.125')	6MM	2.3
X	+4MM MAX	2.3

iPass™ is a Trademark of Molex, Inc.



1 PORT

ENTER DESCRIPTION EC NO: USY2009-0118 DRWN: JERWIN 2008/09/29 CHKD: BREED 2008/09/29 APPR: DDOYE 2008/10/27 REV DESCRIPTION	QUALITY SYMBOLS ▽=0 ▽=0	GENERAL TOLERANCES (UNLESS SPECIFIED) mm INCH 4 PLACES ± --- ± --- 3 PLACES ± --- ± --- 2 PLACES ± 0.13 ± --- 1 PLACE ± 0.25 ± --- ANGULAR ± 1/2°	DIMENSION STYLE MM ONLY DRAWN BY DATE SNAVARRO 2006/05/26 CHECKED BY DATE BREED 2006/05/26 APPROVED BY DATE DDOYE 2006/05/26	SCALE 1:1 DESIGN UNITS METRIC THIRD ANGLE PROJECTION	TITLE I-PASS 26CKT ONE DEG. EMI GUIDE RAIL HOUSING ASSEMBLY, MULTI PORT MOLEX INCORPORATED
	DRAFT WHERE APPLICABLE MUST REMAIN WITHIN DIMENSIONS		MATERIAL NO. SEE CHART	DOCUMENT NO. SD-74548-100	SHEET NO. 3 OF 3
	THIS DRAWING CONTAINS INFORMATION THAT IS PROPRIETARY TO MOLEX INCORPORATED AND SHOULD NOT BE USED WITHOUT WRITTEN PERMISSION				
	Molex logo				