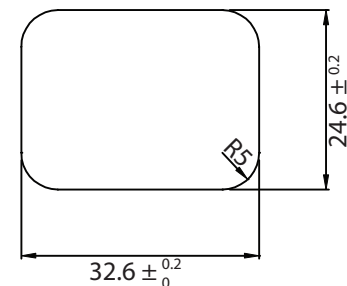
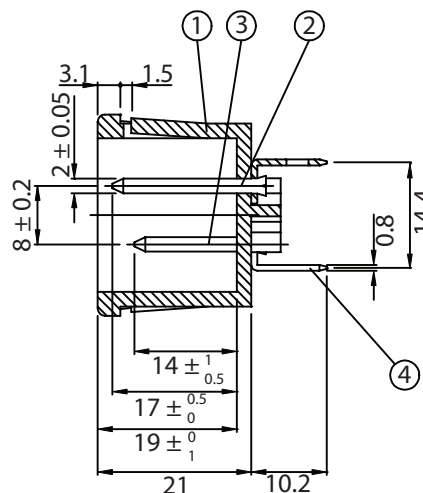
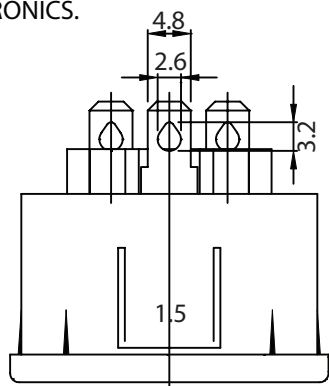
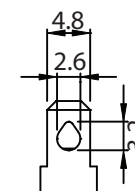
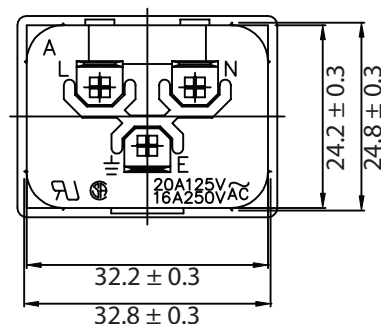
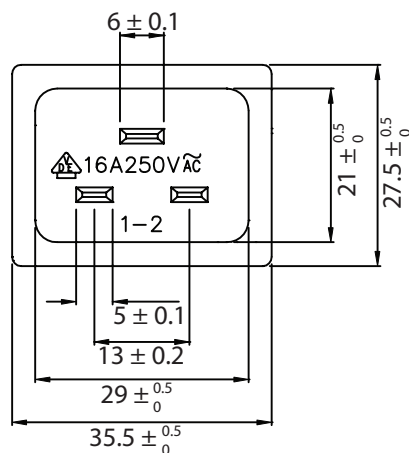


THESE DRAWINGS ARE THE PROPERTY OF QUALTEK ELECTRONICS AND NOT TO BE REPRODUCED FOR OR COMMUNICATED TO A THIRD PARTY WITHOUT THE EXPRESS WRITTEN PERMISSION OF AN OFFICER OF QUALTEK ELECTRONICS.

REVISION			
REV.	DESCRIPTION	DATE	APPROVED
B	RoHS Compliancy	06-01-06	DP
C	Updated Approvals	10-15-08	LY



PANEL CUTOUT



CONTROLLED

4	Soldering PIN Bronze Strip t=0.8mm Tin-Plated	3
3	Contact PIN Bronze Strip t=2mm Ni-Plated	2
2	Contact PIN Bronze Strip t=2mm Ni-Plated	1
1	Body Insulator PC 241R Black Color	1

NOTES:

RATING:

UL, CSA: 20A 125V AC/16A 250V AC

VDE, CCC: 16A 250V AC

APPROVALS: UL, CSA, VDE, CCC

PANEL THICKNESS: 1.5mm

IEC 60320 C20

RoHS COMPLIANT

Dim range (mm)	Tolerance +/- (mm)	Qualtek Electronics Corp. PPC DIVISION		
		Part Number:	745W-15/07	RoHS Compliant
0-1	0.15	Description: AC RECEPTACLE		
1-6	0.20			
6-18	0.30	UNIT: mm	REV. C	
18-50	0.50		Drawn / Date	Checked / Date
50-120	0.70	B.Zhang 07-15-02	07-15-02	JJH / 07-15-02
120-250	0.90			
250-500	1.20			