

NOTES :

1. MATERIALS :

- CONNECTOR HOUSING - HIGH TEMP THERMOPLASTIC, GLASS-FILLED, UL94V-0, COLOR - BLACK
- EMI HOUSING - DIE CAST ALLOY, NICKEL PLATED FINISH
- COVER - STAINLESS STEEL ALLOY
- CPI TERMINALS - COPPER ALLOY
- EMI GASKETS - CONDUCTIVE POLYMER

2. TERMINAL PLATING :

- CONTACT AREA - 0.76μ MIN GOLD OVER 2.54μ MIN NICKEL.
- COMPLIANT AREA - 0.76-152μ TIN/LEAD (90/10) OVER 2.54μ MIN NICKEL.

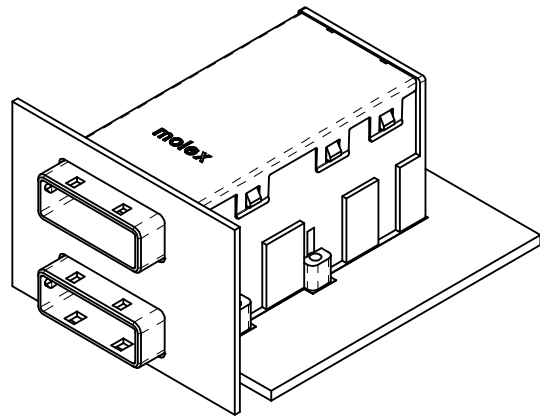
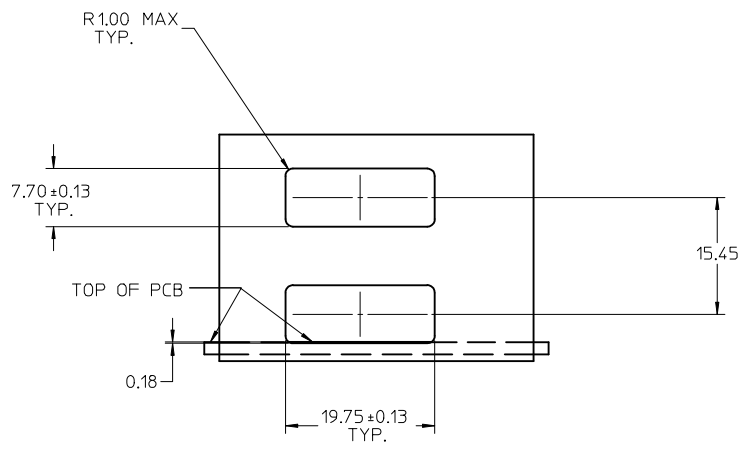
3. PACKAGING SPECIFICATION : TRAY PACK (TBD)

4. REFER TO PS-75586-001 PRODUCT SPEC FOR ALL ELECTRICAL, MECHANICAL AND ENVIRONMENTAL SPECIFICATIONS.

5. THIS CONNECTOR IS DESIGNED TO MATE WITH MOLEX CABLE SERIES 74548.

6. REQUIRES MOUNTING HARDWARE : (4) M2 X 8MM CAP SCREWS OR EQUIV. MAX. TORQUE 2.3 in/lbs.

REVISED PCB NOTES EC NO: UCP2009-1994 DRAWN: JJANTELEZIO 2009/02/10 CHKD: KLANG 2009/02/12 APPR: MBANAKIS 2009/02/16	QUALITY SYMBOLS ▽=0 ▽=0	GENERAL TOLERANCES (UNLESS SPECIFIED)		DIMENSION STYLE MM ONLY	SCALE 2:1	DESIGN UNITS METRIC	THIRD ANGLE PROJECTION		
		4 PLACES ± --- ± --- 3 PLACES ± --- ± --- 2 PLACES ± 0.25 ± --- 1 PLACE ± 0.25 ± ---	mm INCH	DRAWN BY JJANTELEZIO	DATE 01/23/08	TITLE IPASS STACKED 26/26 CIRCUIT CONNECTOR			
		ANGULAR ±1/2°		CHECKED BY KLANG	DATE 01/23/08	MOLEX INCORPORATED			
		DRAFT WHERE APPLICABLE MUST REMAIN WITHIN DIMENSIONS		APPROVED BY MBANAKIS	DATE 01/23/08	MATERIAL NO. SEE CHART	DOCUMENT NO. SD-75758-002	SHEET NO. 1 OF 3	

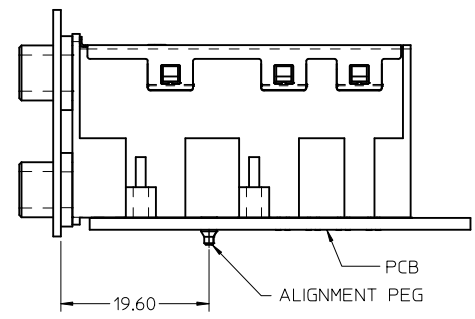


PANEL CUT-OUT

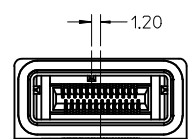
MAXIMUM THICKNESS = 1.50

NOTE : EDGE OF CUT-OUT IS BELOW THE PCB

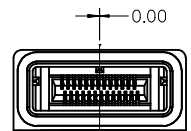
(NOT SUPPLIED)



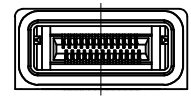
ASSEMBLY VIEW



KEY WAY - 3



KEY WAY - 4



KEY WAY - NONE

KEY WAY OPTIONS

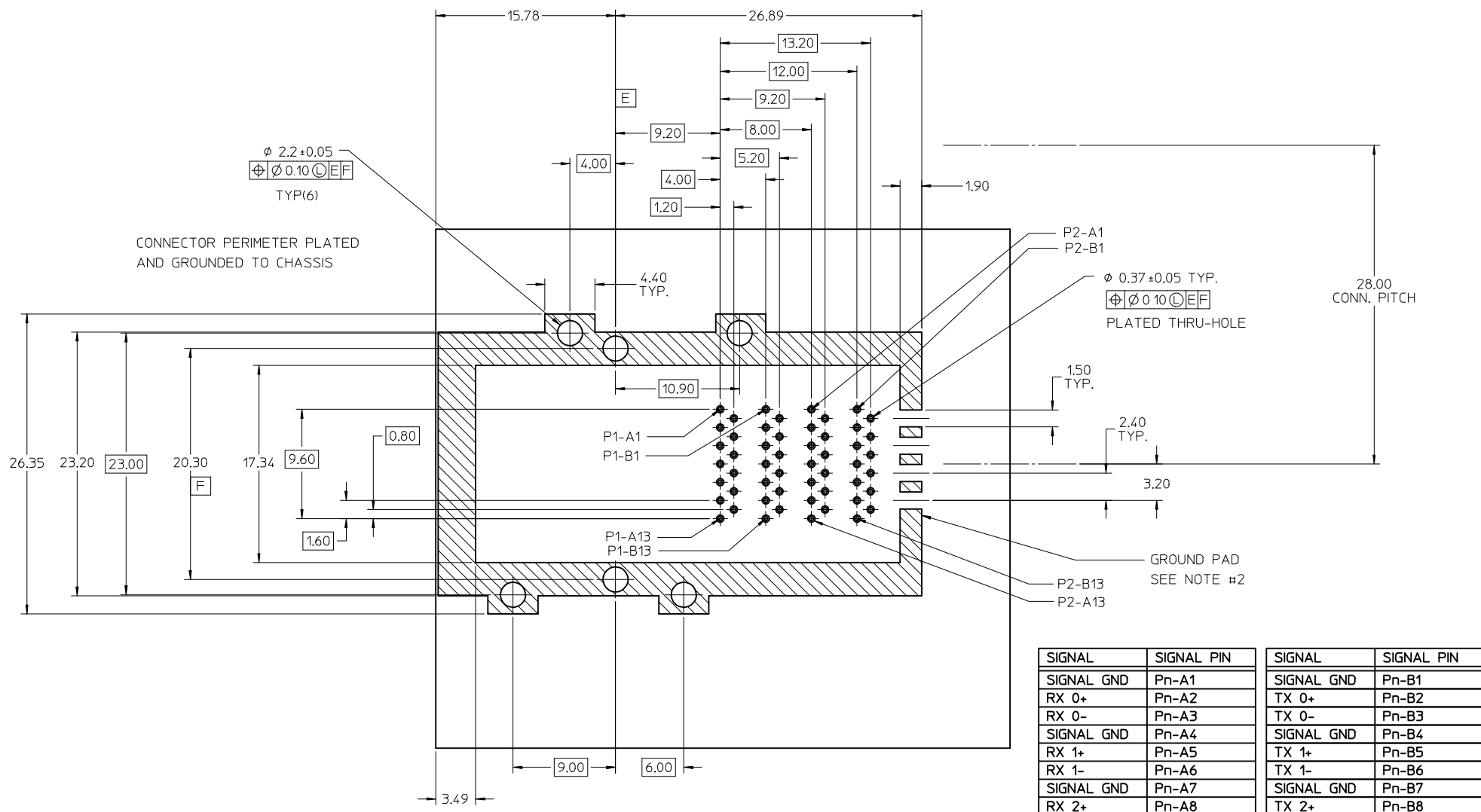
PART NUMBER	KEY WAY
75758-0101	NONE
75758-0102	#3
75758-0103	#4
-	-
-	-
-	-
-	-
-	-
-	-

SEE SHEET 1 EC NO: UCP2009-1994 DRWN: JANTELEZIO 2009/02/10 CHKD: KLANG 2009/02/12 APPR: MBANAKIS 2009/02/16	REV	DESCRIPTION	QUALITY SYMBOLS
			▽=0
			▽=0

GENERAL TOLERANCES (UNLESS SPECIFIED)	
mm	INCH
4 PLACES ± ---	± ---
3 PLACES ± ---	± ---
2 PLACES ± 0.25	± ---
1 PLACE ± 0.25	± ---
ANGULAR ± 1/2°	
DRAFT WHERE APPLICABLE MUST REMAIN WITHIN DIMENSIONS	

DIMENSION STYLE MM ONLY	
DRAWN BY	DATE
JJANTELEZIO	01/23/08
CHECKED BY	DATE
KLANG	01/23/08
APPROVED BY	DATE
MBANAKIS	01/23/08
MATERIAL NO.	
SEE SHEET 1	

SCALE 2:1	DESIGN UNITS METRIC	THIRD ANGLE PROJECTION
IPASS STACKED 26/26 CIRCUIT CONNECTOR		
MOLEX INCORPORATED		SHEET NO. 2 OF 3
DOCUMENT NO. SD-75758-002		THIS DRAWING CONTAINS INFORMATION THAT IS PROPRIETARY TO MOLEX INCORPORATED AND SHOULD NOT BE USED WITHOUT WRITTEN PERMISSION



CONNECTOR PERIMETER PLATED AND GROUNDED TO CHASSIS

$\phi 2.2 \pm 0.05$
 $\oplus \phi 0.10 \ominus EF$
 TYP(6)

$\phi 0.37 \pm 0.05$ TYP.
 $\oplus \phi 0.10 \ominus EF$
 PLATED THRU-HOLE

GROUND PAD
 SEE NOTE #2

SIGNAL	SIGNAL PIN	SIGNAL	SIGNAL PIN
SIGNAL GND	Pn-A1	SIGNAL GND	Pn-B1
RX 0+	Pn-A2	TX 0+	Pn-B2
RX 0-	Pn-A3	TX 0-	Pn-B3
SIGNAL GND	Pn-A4	SIGNAL GND	Pn-B4
RX 1+	Pn-A5	TX 1+	Pn-B5
RX 1-	Pn-A6	TX 1-	Pn-B6
SIGNAL GND	Pn-A7	SIGNAL GND	Pn-B7
RX 2+	Pn-A8	TX 2+	Pn-B8
RX 2-	Pn-A9	TX 2-	Pn-B9
SIGNAL GND	Pn-A10	SIGNAL GND	Pn-B10
RX 3+	Pn-A11	TX 3+	Pn-B11
RX 3-	Pn-A12	TX 3-	Pn-B12
SIGNAL GND	Pn-A13	SIGNAL GND	Pn-B13

Pn - 'n' DENOTES PORT NUMBER

- NOTES :
- CROSS-HATCHED AREA MUST BE INCORPORATED IN THE FLAT ROCK PRESS-FIT TOOLING.
 - PLATE GROUND PAD WITH EMERSION SILVER OR GOLD.
 - RECOMMENDED DRILL SIZE FOR 0.37 ϕ FINISHED PTH IS 0.457 ϕ (#77 DRILL)
 - RECOMMENDED ANNULAR RING AROUND 0.37 ϕ FINISHED PTH IS 0.73 ϕ

RECOMMENDED PCB LAYOUT

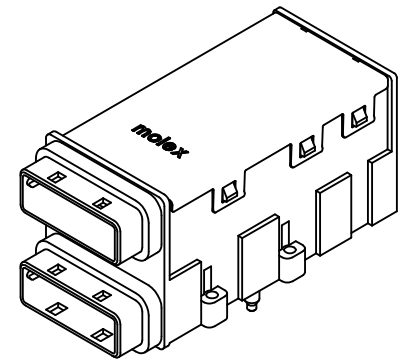
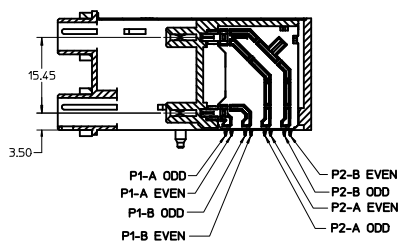
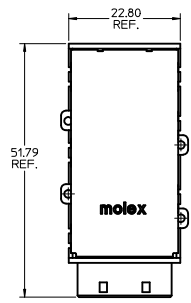
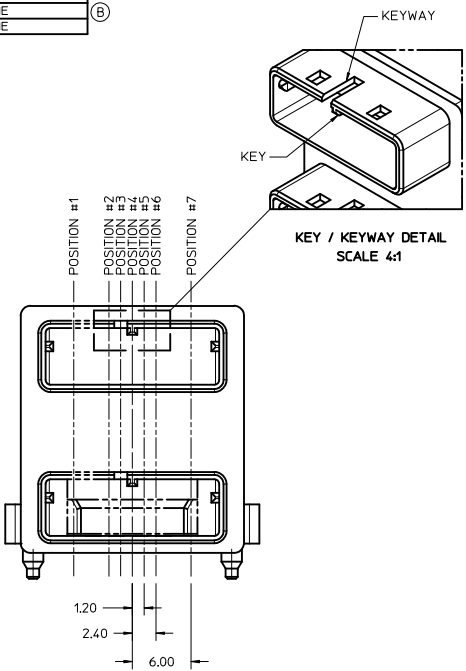
THICKNESS = 1.35mm MIN.

SEE SHEET 1 EC NO: UCP2009-1994 DRWNG: JANTELEZ10 2009/02/10 CHKD: KLANG 2009/02/12 APPR: MBANAKIS 2009/02/16	QUALITY SYMBOLS	GENERAL TOLERANCES (UNLESS SPECIFIED) <table border="1"> <tr><th></th><th>mm</th><th>INCH</th></tr> <tr><td>4 PLACES</td><td>± 0.15</td><td>± 0.006</td></tr> <tr><td>3 PLACES</td><td>± 0.20</td><td>± 0.008</td></tr> <tr><td>2 PLACES</td><td>± 0.25</td><td>± 0.010</td></tr> <tr><td>1 PLACE</td><td>± 0.30</td><td>± 0.012</td></tr> </table> ANGULAR $\pm 1/2^\circ$		mm	INCH	4 PLACES	± 0.15	± 0.006	3 PLACES	± 0.20	± 0.008	2 PLACES	± 0.25	± 0.010	1 PLACE	± 0.30	± 0.012
			mm	INCH													
	4 PLACES		± 0.15	± 0.006													
	3 PLACES		± 0.20	± 0.008													
	2 PLACES		± 0.25	± 0.010													
1 PLACE	± 0.30	± 0.012															
DESCRIPTION																	
REV																	

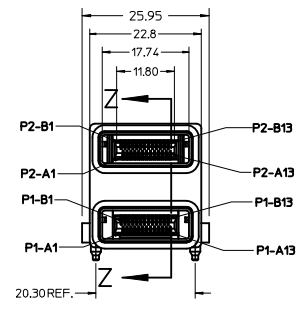
DRAFT WHERE APPLICABLE MUST REMAIN WITHIN DIMENSIONS	DIMENSION STYLE MM ONLY	SCALE 2:1	DESIGN UNITS METRIC	THIRD ANGLE PROJECTION
	DRAWN BY JANTELEZ10	DATE 01/23/08	TITLE IPASS STACKED 26/26 CIRCUIT CONNECTOR	
	CHECKED BY KLANG	DATE 01/23/08	MOLEX INCORPORATED	
	APPROVED BY MBANAKIS	DATE 01/23/08	MATERIAL NO. SEE SHEET 1	DOCUMENT NO. SD-75758-002
	SHEET NO. 3 OF 3	THIS DRAWING CONTAINS INFORMATION THAT IS PROPRIETARY TO MOLEX INCORPORATED AND SHOULD NOT BE USED WITHOUT WRITTEN PERMISSION		

KEYING OPTIONS

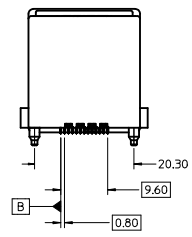
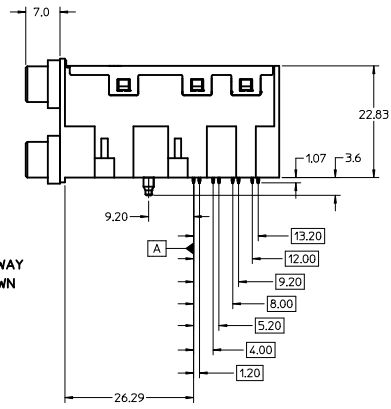
PART NUMBER	KEY POSITION	KEYWAY POSITION
75758-0101	NONE	NONE
75758-0102	#3	NONE
75758-0103	#4	NONE
75758-0104	#4	#3 & #5
75758-0105	NONE	#3 & #5
75758-0106	#4	#3
75758-0107	NONE	#3
75758-0108	#4	#5
75758-0109	NONE	#5
75758-0110	#2 & #4	NONE
75758-0111	#4 & #6	NONE



75758-0101
SHOWN FOR REF. ONLY



KEY/KEYWAY NOT SHOWN

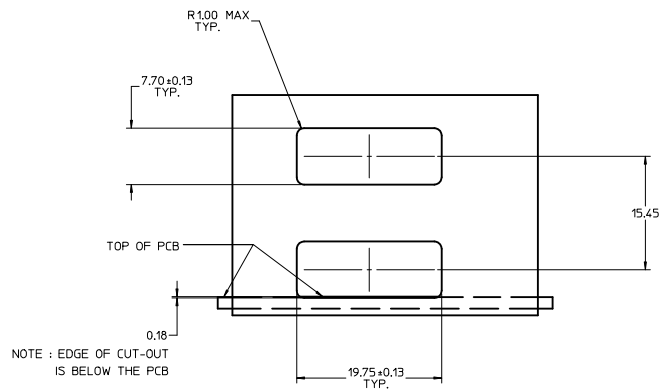


NOTES :

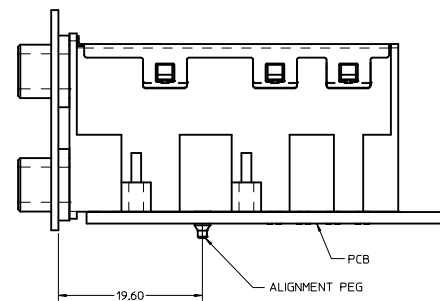
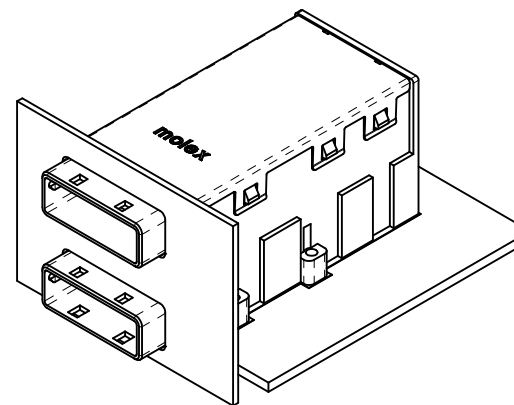
- MATERIALS :**
CONNECTOR HOUSING - HIGH TEMP THERMOPLASTIC.
GLASS-FILLED, UL94V-0.
COLOR - BLACK
EMI HOUSING - DIE CAST ALLOY, NICKEL PLATED FINISH
COVER - STAINLESS STEEL ALLOY
CPI TERMINALS - COPPER ALLOY
EMI GASKETS - CONDUCTIVE POLYMER
- TERMINAL PLATING :**
CONTACT AREA - 0.76μ MIN GOLD OVER 2.54μ MIN NICKEL.
COMPLIANT AREA - 0.76-1.52μ TIN/LEAD (90/10) OVER 2.54μ MIN NICKEL.
- PACKAGING SPECIFICATION :** TRAY PACK (TBD)
- REFER TO PS-75586-001 PRODUCT SPEC FOR ALL ELECTRICAL, MECHANICAL AND ENVIRONMENTAL SPECIFICATIONS.
- THIS CONNECTOR IS DESIGNED TO MATE WITH MOLEX CABLE SERIES 74548.
- REQUIRES MOUNTING HARDWARE : (4) M2 X 8MM CAP SCREWS OR EQUIV.
MAX. TORQUE 2.3 in/lbs.

REV KEYING -010 & -0111 IEC NO: UCP2010-3168 DRAWN BY: DRWNSBRIEGL CHECKED BY: CHYOKIANG APPROVED BY: MBANAKIS DATE: 2010/06/11 DATE: 01/23/08 DATE: 2010/07/16	QUALITY SYMBOLS ▽=0 ▽=0	GENERAL TOLERANCES (UNLESS SPECIFIED): 4 PLACES ± mm ± INCH 3 PLACES ± --- ± --- 2 PLACES ± 0.25 ± --- 1 PLACE ± 0.25 ± --- ANGULAR ±1/2°	DIMENSION STYLE MM ONLY	SCALE 2:1	DESIGN UNITS METRIC	THIRD ANGLE PROJECTION
	DRAFT WHERE APPLICABLE MUST REMAIN WITHIN DIMENSIONS		DRAWN BY: JJANTELEZ10 CHECKED BY: KLANG APPROVED BY: MBANAKIS DATE: 01/23/08 DATE: 01/23/08 DATE: 01/23/08	TITLE IPASS STACKED 26/26 CIRCUIT CONNECTOR		
	MATERIAL NO. 75758-010*		DOCUMENT NO. SD-75758-010		MOLEX INCORPORATED	

THIS DRAWING CONTAINS INFORMATION THAT IS PROPRIETARY TO MOLEX INCORPORATED AND SHOULD NOT BE USED WITHOUT WRITTEN PERMISSION

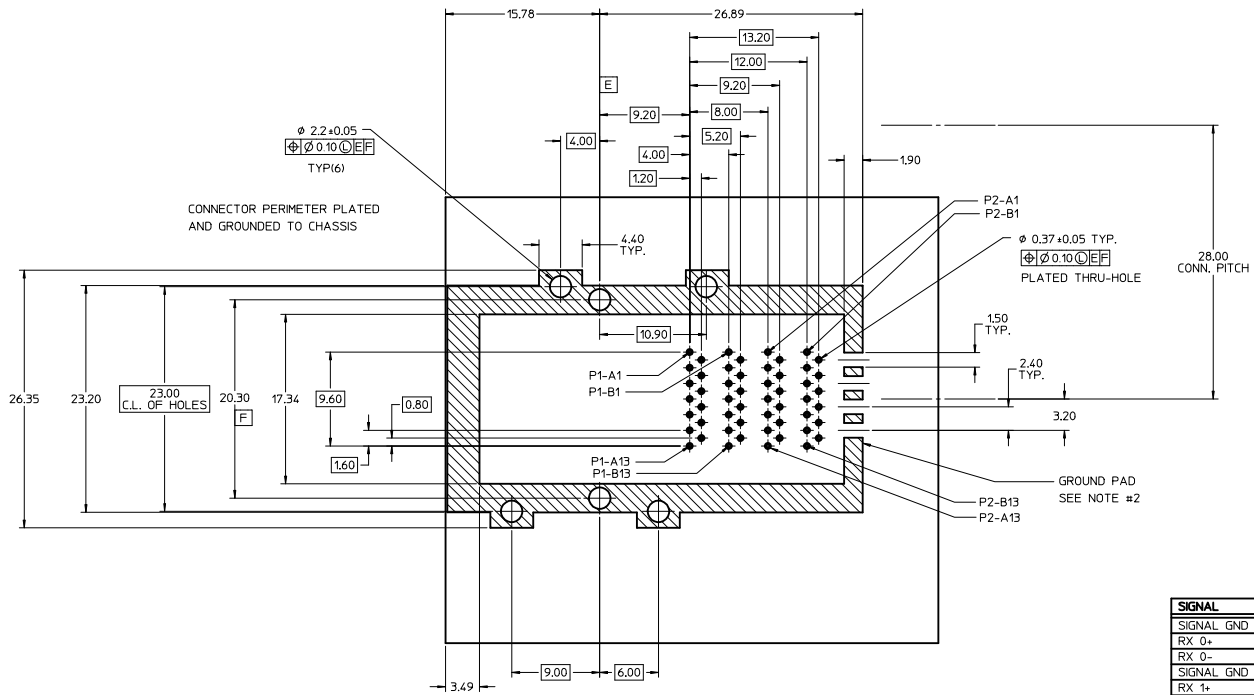


PANEL CUT-OUT
 MAXIMUM THICKNESS = 1.50
 (NOT SUPPLIED)



ASSEMBLY VIEW

SEE SHEET 1 IEC NO: UCP2010-3168 DRAWN BY: DRWNSBRIEEL 2010/06/11 CHECKED BY: CHYKJLANG 01/23/08 APPR: MBANKIS 2010/07/16 REV: DESCRIPTION	QUALITY SYMBOLS ▽=0 ▽=0		GENERAL TOLERANCES (UNLESS SPECIFIED) mm INCH		DIMENSION STYLE MM ONLY		SCALE 3:1	DESIGN UNITS METRIC	THIRD ANGLE PROJECTION
	4 PLACES ±0.25	±0.010	4 PLACES ±0.25	±0.010	DRAWN BY JJANTELEZ10	DATE 01/23/08	TITLE IPASS STACKED 26/26 CIRCUIT CONNECTOR		
	3 PLACES ±0.25	±0.010	3 PLACES ±0.25	±0.010	CHECKED BY KLANG	DATE 01/23/08	MOLEX INCORPORATED		
	2 PLACES ±0.25	±0.010	2 PLACES ±0.25	±0.010	APPROVED BY MBANKIS	DATE 01/23/08	MATERIAL NO. 75758-010*		
DRAFT WHERE APPLICABLE MUST REMAIN WITHIN DIMENSIONS		ANGULAR ±1/2°		MATERIAL NO. 75758-010*		DOCUMENT NO. SD-75758-010		SHEET NO. 2 OF 3	
THIS DRAWING CONTAINS INFORMATION THAT IS PROPRIETARY TO MOLEX INCORPORATED AND SHOULD NOT BE USED WITHOUT WRITTEN PERMISSION									



RECOMMENDED PCB LAYOUT

THICKNESS = 1.35mm MIN.

NOTES:

- CROSS-HATCHED AREA MUST BE INCORPORATED IN THE FLAT ROCK PRESS-FIT TOOLING.
- PLATE GROUND PAD WITH EMERSION SILVER OR GOLD.
- RECOMMENDED DRILL SIZE FOR 0.37 ϕ FINISHED PTH IS 0.457 ϕ (+77 DRILL)
- RECOMMENDED ANNULAR RING AROUND 0.37 ϕ FINISHED PTH IS 0.73 ϕ

SIGNAL	SIGNAL PIN	SIGNAL	SIGNAL PIN
SIGNAL GND	Pn-A1	SIGNAL GND	Pn-B1
RX 0+	Pn-A2	TX 0+	Pn-B2
RX 0-	Pn-A3	TX 0-	Pn-B3
SIGNAL GND	Pn-A4	SIGNAL GND	Pn-B4
RX 1+	Pn-A5	TX 1+	Pn-B5
RX 1-	Pn-A6	TX 1-	Pn-B6
SIGNAL GND	Pn-A7	SIGNAL GND	Pn-B7
RX 2+	Pn-A8	TX 2+	Pn-B8
RX 2-	Pn-A9	TX 2-	Pn-B9
SIGNAL GND	Pn-A10	SIGNAL GND	Pn-B10
RX 3+	Pn-A11	TX 3+	Pn-B11
RX 3-	Pn-A12	TX 3-	Pn-B12
SIGNAL GND	Pn-A13	SIGNAL GND	Pn-B13

Pn - 'n' DENOTES PORT NUMBER

SEE SHEET 1 IEC NO: UCP2010-3168 DRAWNS: BÖGEL 2010/06/11 CHK: KLANG 01/23/08 APPROVED: MBANKIS 2010/07/16	QUALITY SYMBOLS $\nabla=0$ $\nabla=0$	GENERAL TOLERANCES (UNLESS SPECIFIED) mm INCH 4 PLACES ±--- ±--- 3 PLACES ±--- ±--- 2 PLACES ±0.25 ±--- 1 PLACE ±0.25 ±--- ANGULAR ±1/2°	DIMENSION STYLE MM ONLY DRAWN BY DATE J JANTELEZ10 01/23/08 CHECKED BY DATE KLANG 01/23/08 APPROVED BY DATE MBANKIS 01/23/08	SCALE 2:1 DESIGN UNITS METRIC THIRD ANGLE PROJECTION	TITLE IPASS STACKED 26/26 CIRCUIT CONNECTOR
	DRAFT WHERE APPLICABLE MUST REMAIN WITHIN DIMENSIONS		MATERIAL NO. 75758-010*	DOCUMENT NO. SD-75758-010	SHEET NO. 3 OF 3
	THIS DRAWING CONTAINS INFORMATION THAT IS PROPRIETARY TO MOLEX INCORPORATED AND SHOULD NOT BE USED WITHOUT WRITTEN PERMISSION				
	MOLEX INCORPORATED				