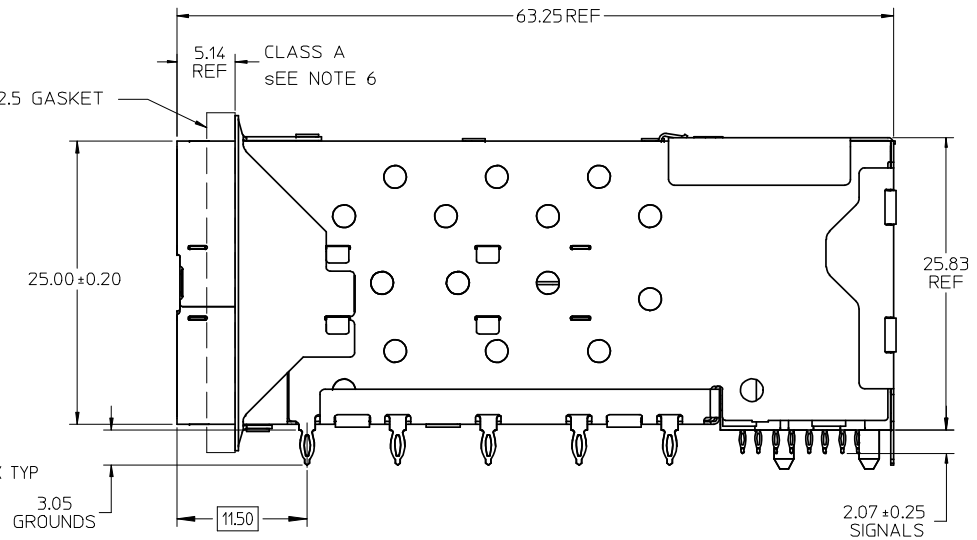
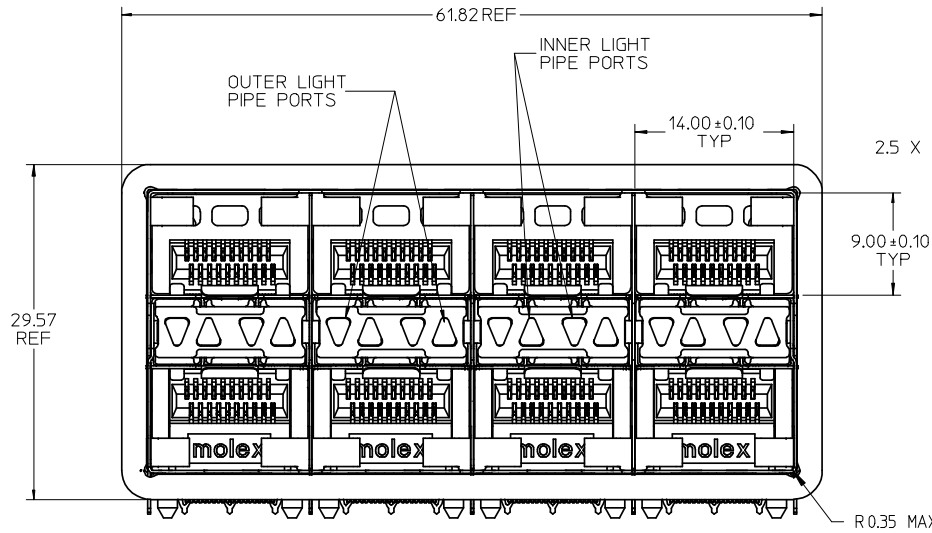


PART NUMBER	DESCRIPTION	VIEW	COMPLIANT TAIL PLATING	CAGE PLATING
760920001	4 LIGHT PORTS	SEE PG 2	TIN / LEAD	N/A
760920002	INNER 2 PORTS	SEE PG 2	TIN / LEAD	N/A
760920003	OUTER 2 PORTS	SEE PG 2	TIN / LEAD	N/A
760925001	4 LIGHT PORTS	SEE PG 2	TIN	N/A
760925002	INNER 2 PORTS	SEE PG 2	TIN	N/A
760925003	OUTER 2 PORTS	SEE PG 2	TIN	N/A



NOTES:

1. MATERIAL:

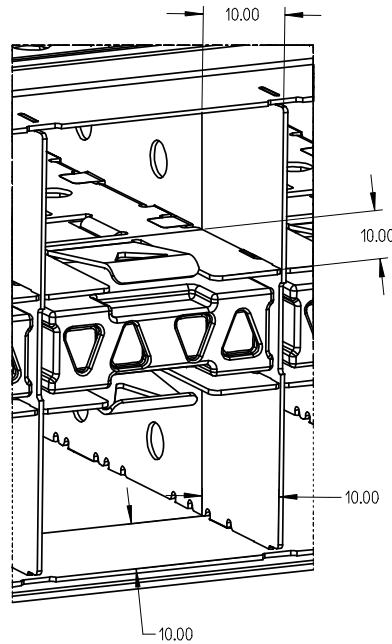
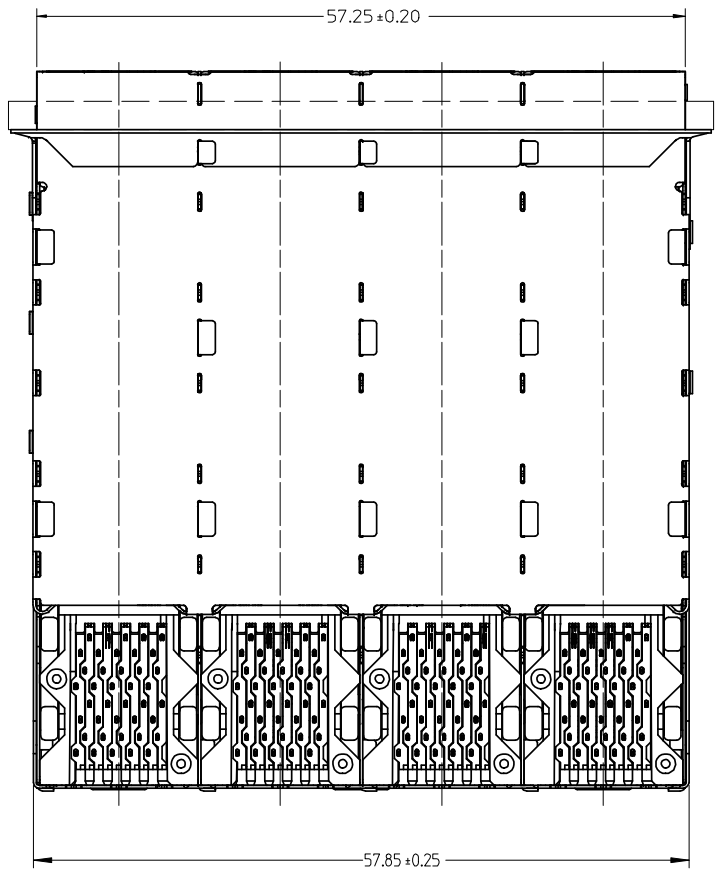
- CAGE: NICKEL SILVER, THICKNESS: 0.25mm
- CAGE FLANGE: STAINLESS STEEL
- EMI GASKET: CONDUCTIVE POLYMER
- CONNECTOR HOUSING: GLASS FILLED HIGH TEMP PLASTIC, 94 V-0
COLOR: BLACK
- OVERMOLDED TERMINAL HOUSING: GLASS FILLED HIGH TEMP PLASTIC,
94 V-0, COLOR: BLACK
- TERMINALS: TIN BRASS
- LIGHT PIPES: POLYCARBONITE, 94 V-0, COLOR: CLEAR
- LIGHT PIPE HOUSING: ZINC

2. FINISH:

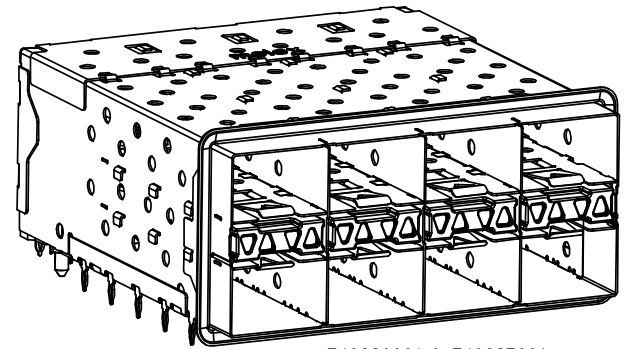
- LIGHT PIPE HOUSING: 150 MICRONS NICKEL OVER 150 MICRONS COPPER
- TERMINALS: CONTACT AREA: 0.76 MICROS MIN. HARD GOLD
OVER 1.27 MICRONS NICKEL.
- COMPLIANT TAIL - TIN/LEAD OPTION: 0.76 - 1.52 MICRONS 90/10 TIN/LEAD
OVER 0.76 - 1.52 MICRONS NICKEL
- COMPLIANT TAIL - TIN OPTION: 0.76 - 1.52 MICRONS TIN
OVER 0.76 - 1.52 MICRONS NICKEL

- 3. REFER TO PS-75310-001 PRODUCT SPEC FOR ALL ELECTRICAL, MECHANICAL AND ENVIRONMENTAL SPECIFICATIONS.
- 4. LIGHT PIPE PAD LAYOUT IS FOR 0805 LOW-PROFILE LED PACKAGE, FOR OTHER RECOMMENDED LAYOUTS REFER TO MOLEX'S REPORT TS-75310-001.
- 5. REFER TO PK-75450-001 FOR ALL PACKAGING SPECIFICATIONS.
- 6. ALL EXTERIOR SURFACES TO BE CLASS 'B' SURFACE EXCEPT THE UNDER SIDE OF THE CAGE WHERE THE PCB WOULD BE LOCATED AND AS NOTED. THE SURFACES TO CONFORM TO THE MOLEX COSMETIC DOC PS-45499-002.

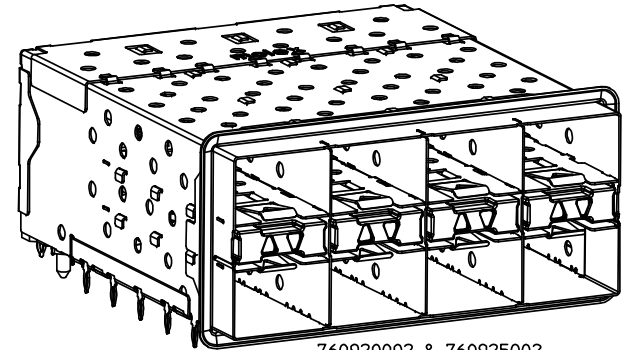
REVISED DIMENSIONS EC NO: UCP2008-1003 DRWN: JLONG 2008/01/11 CHKD: 2008/01/11 APPR: MBANAKIS 2008/01/11	QUALITY SYMBOLS ▽ = 0 ▽C = 0	GENERAL TOLERANCES (UNLESS SPECIFIED)		SCALE 3:1	DESIGN UNITS METRIC	THIRD ANGLE PROJECTION	REVISE ON CAD ONLY	
		mm	INCH	DIMENSION STYLE MM ONLY		TITLE STACKED SFP+ 2X4 ASS'Y WITH ELASTOMERIC GASKET AND LIGHTPIPES		
		4 PLACES ± --- ± ---	3 PLACES ± --- ± ---	DRAWN BY JLONG	DATE 01-26-2007	MATERIAL NO. SEE CHART		
		2 PLACES ± 0.13 ± ---	1 PLACE ± 0.25 ± ---	CHECKED BY MSANDBERG01-26-2007	DATE 01-26-2007	DOCUMENT NO. SD-76092-001	SHEET NO. 1 OF 4	
DRAFT WHERE APPLICABLE MUST REMAIN WITHIN DIMENSIONS		THIS DRAWING CONTAINS INFORMATION THAT IS PROPRIETARY TO MOLEX INCORPORATED AND SHOULD NOT BE USED WITHOUT WRITTEN PERMISSION						



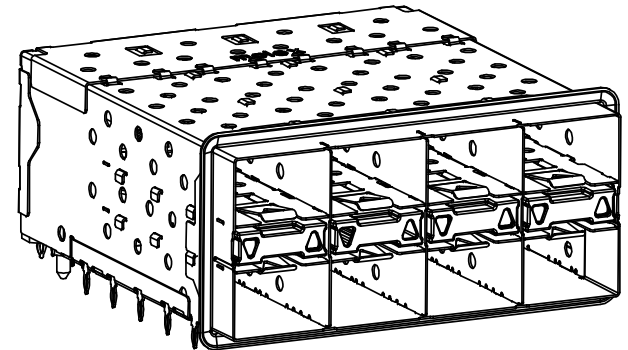
PORT DETAIL
 10.00mm AREA SETBACK IN CAGE IS TO BE FREE OF ANY HOLES, DIMPLES, SEAMS OR ANY OTHER FEATURE. (4 SIDES PER PORT)



760920001 & 760925001
 WITH INNER & OUTER LIGHT PIPE PORTS

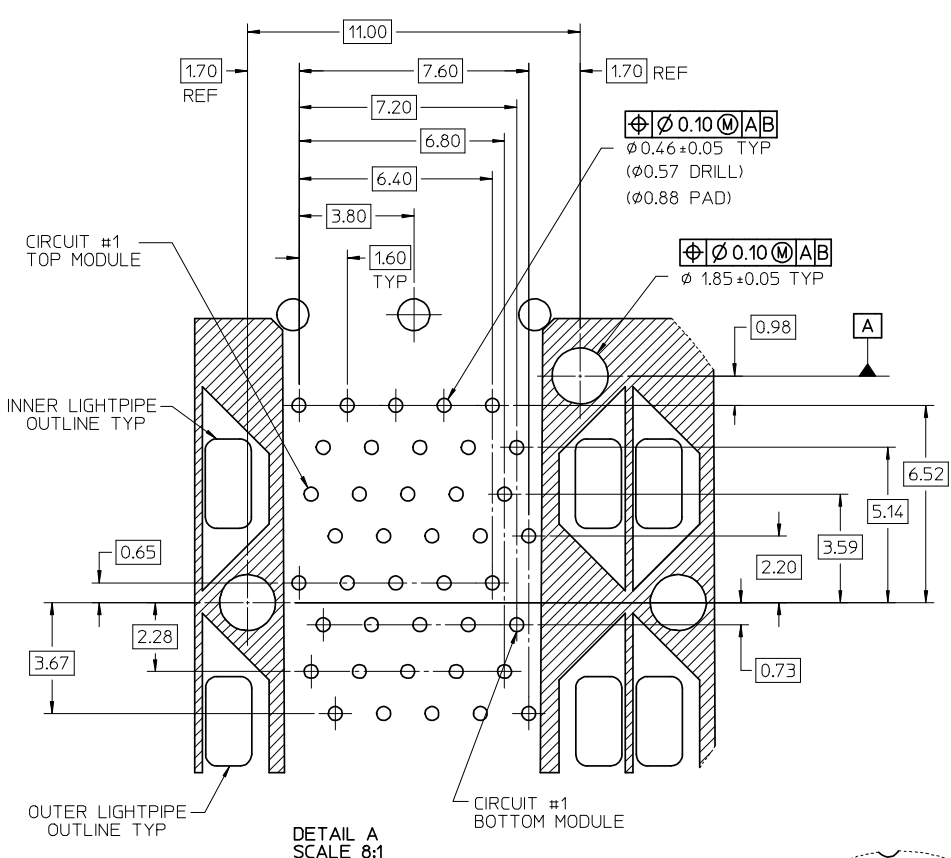


760920002 & 760925002
 WITH INNER LIGHT PIPE PORTS

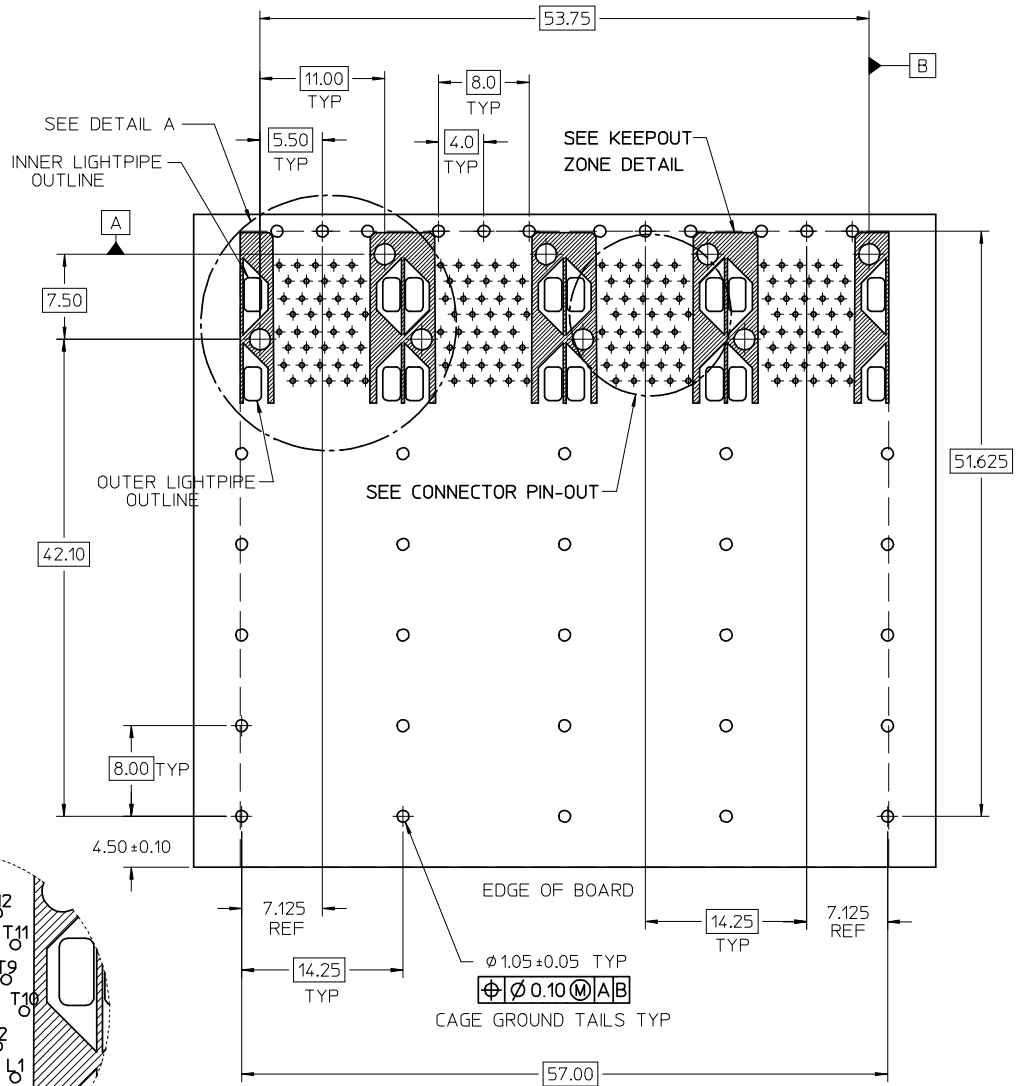


760920003 & 760925003
 WITH OUTER LIGHT PIPE PORTS

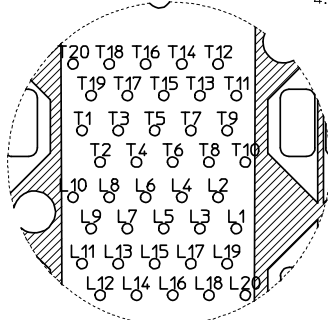
SEE SHEET 1 EC NO: UCP2008-1003 DRWN: JLONG 2008/01/11 CHKD: 2008/01/11 APPR: MBANAKIS 2008/01/11	QUALITY SYMBOLS	GENERAL TOLERANCES (UNLESS SPECIFIED)		SCALE 3:1	DESIGN UNITS METRIC	THIRD ANGLE PROJECTION	REVISE ON CAD ONLY
	▽ = 0 ∇ = 0		mm	INCH	DIMENSION STYLE MM ONLY		TITLE
		4 PLACES	± ---	± ---	DRAWN BY	DATE	STACKED SFP+ 2X4 ASS'Y WITH ELASTOMERIC GASKET AND LIGHTPIPES
		3 PLACES	± ---	± ---	JL ONG	01-26-2007	
2 PLACES	± 0.13	± ---	CHECKED BY	DATE	MATERIAL NO.	DOCUMENT NO.	SHEET NO.
1 PLACE	± 0.25	± ---	MSANDBERG01-26-2007	01-26-2007	SEE CHART	SD-76092-001	2 OF 4
			ANGULAR ± 5 °	APPROVED BY	DATE	MOLEX INCORPORATED	
			DRAFT WHERE APPLICABLE	RNELSON	01-26-2007	THIS DRAWING CONTAINS INFORMATION THAT IS PROPRIETARY TO MOLEX INCORPORATED AND SHOULD NOT BE USED WITHOUT WRITTEN PERMISSION	
			MUST REMAIN WITHIN DIMENSIONS				



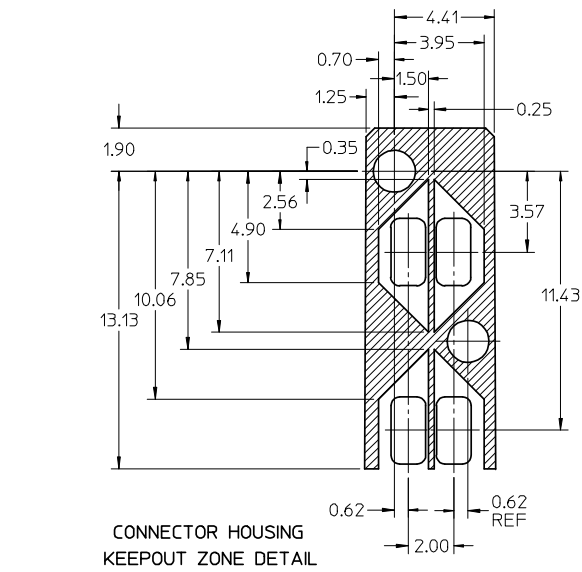
DETAIL A
SCALE 8:1



RECOMMENDED PCB LAYOUT - COMPONENT SIDE
 MINIMUM PCB THICKNESS OF 1.57MM
 THE ENTIRE AREA OF THE CONNECTOR FOOTPRINT
 TO BE CONSIDERED THE KEEP OUT AREA INDICATED
 BY THE DASHED LINE

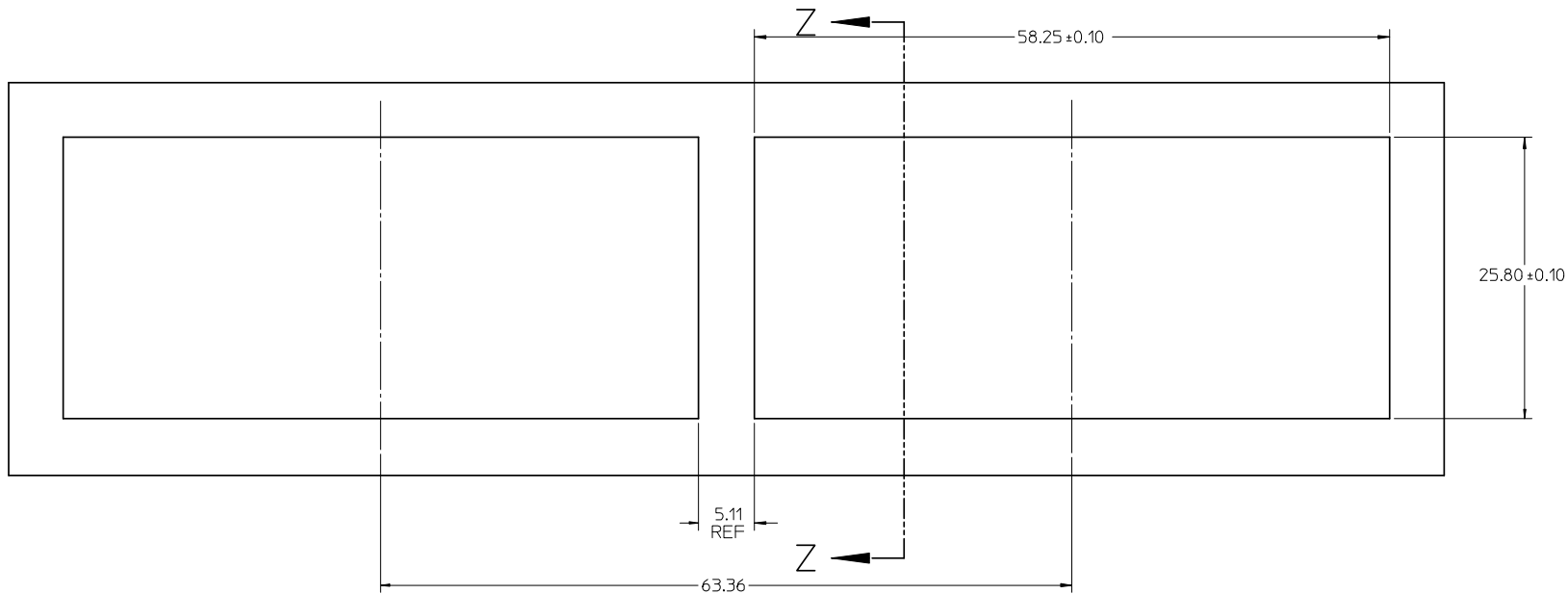


CONNECTOR PIN-OUT
 COMPONENT SIDE OF BOARD

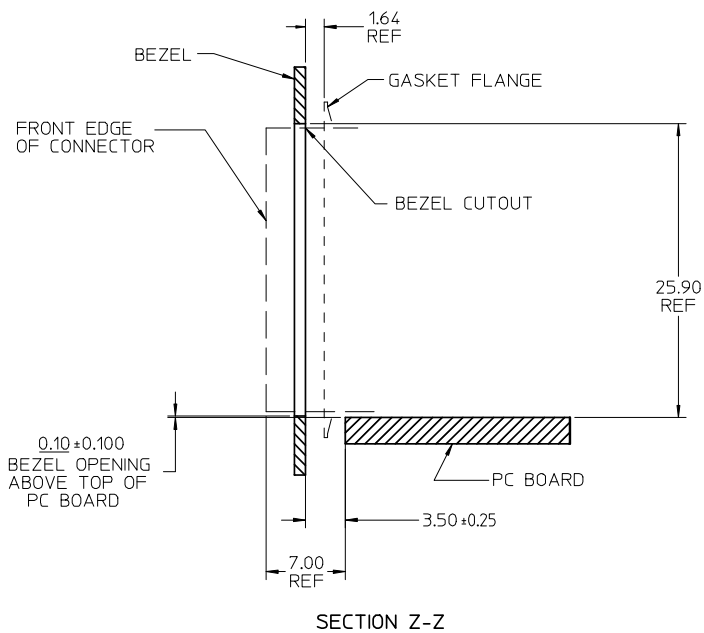


CONNECTOR HOUSING
 KEEP-OUT ZONE DETAIL

SEE SHEET 1 EC NO: UCP2008-1003 DRWN: JLONG 2008/01/11 CHKD: 2008/01/11 APPR: MBANAKIS 2008/01/11	QUALITY SYMBOLS ▽ = 0 ∇ = 0	GENERAL TOLERANCES (UNLESS SPECIFIED)		SCALE 3:1	DESIGN UNITS METRIC	THIRD ANGLE PROJECTION	REVISE ON CAD ONLY	
		4 PLACES ± --- ± ---	3 PLACES ± --- ± ---	DIMENSION STYLE MM ONLY		TITLE STACKED SFP+ 2X4 ASS'Y WITH ELASTOMERIC GASKET AND LIGHTPIPES		
		2 PLACES ± 0.13 ± ---	1 PLACE ± 0.25 ± ---	DRAWN BY JLONG	DATE 01-26-2007	MOLEX INCORPORATED		
		ANGULAR ± 5 °		CHECKED BY MSANDBERG01-26-2007	DATE 01-26-2007	MATERIAL NO. SEE CHART	DOCUMENT NO. SD-76092-001	SHEET NO. 3 OF 4
DRAFT WHERE APPLICABLE MUST REMAIN WITHIN DIMENSIONS		APPROVED BY RNELSON		DATE 01-26-2007	THIS DRAWING CONTAINS INFORMATION THAT IS PROPRIETARY TO MOLEX INCORPORATED AND SHOULD NOT BE USED WITHOUT WRITTEN PERMISSION			



BEZEL CUTOUT CENTER SPACING DETAIL
BEZEL THICKNESS 0.8-2.6



SECTION Z-Z

SEE SHEET 1 EC NO: UCP2008-1003 DRWN: JLONG 2008/01/11 CHKD: 2008/01/11 APPR: MBANAKIS 2008/01/11	QUALITY SYMBOLS	GENERAL TOLERANCES (UNLESS SPECIFIED)		SCALE 3:1	DESIGN UNITS METRIC	THIRD ANGLE PROJECTION	REVISE ON CAD ONLY
	▼ = 0 ∇ = 0	4 PLACES	± ---	± ---	DIMENSION STYLE MM ONLY		MOLEX INCORPORATED MOLEX
		3 PLACES	± ---	± ---	DRAWN BY JLONG	DATE 01-26-2007	
		2 PLACES	± 0.13	± ---	CHECKED BY MSANDBERG01-26-2007	DATE	
1 PLACE	± 0.25	± ---	APPROVED BY RNELSON		DATE 01-26-2007	DOCUMENT NO. SD-76092-001	SHEET NO. 4 OF 4
DRAFT WHERE APPLICABLE MUST REMAIN WITHIN DIMENSIONS		THIS DRAWING CONTAINS INFORMATION THAT IS PROPRIETARY TO MOLEX INCORPORATED AND SHOULD NOT BE USED WITHOUT WRITTEN PERMISSION					